

ARK-3440

Intel® Core™ i7 Box IPC with PCIe Expansion and Dual SATA HDDs for Image Processing and Surveillance Applications



Features

- Fanless, Intel® Core™ i7 Processor Ultra-Compact Embedded Box IPC
- Multi-display and support for wide screen with high resolution
- Supports 2 GbE, eSATA, 6 USB 2.0, audio and 3 COM ports
- Two internal 2.5" SATA HDD drive bays
- Various expansion Interfaces for diverse applications
- 6 programmable function keys
- Easy integration, easy maintenance, and wide input voltage range
- IP40 Rating

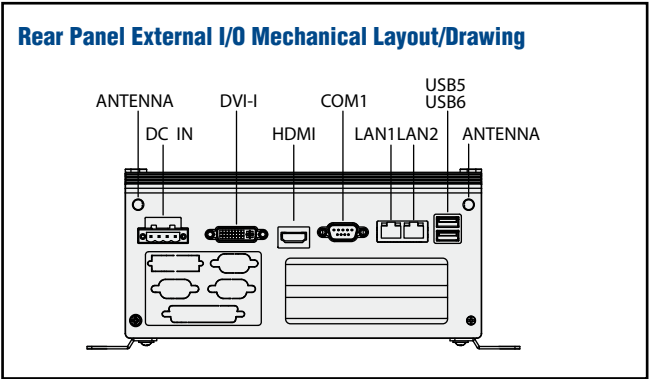
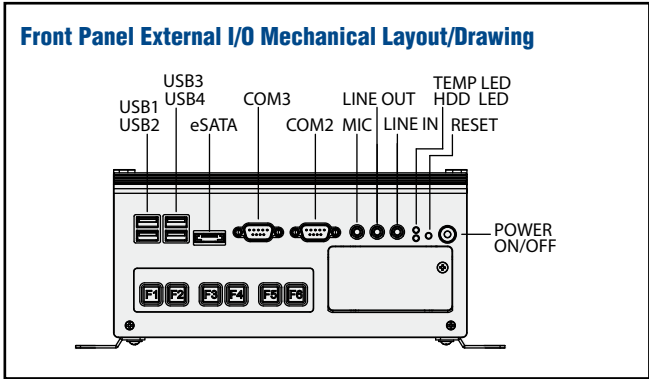
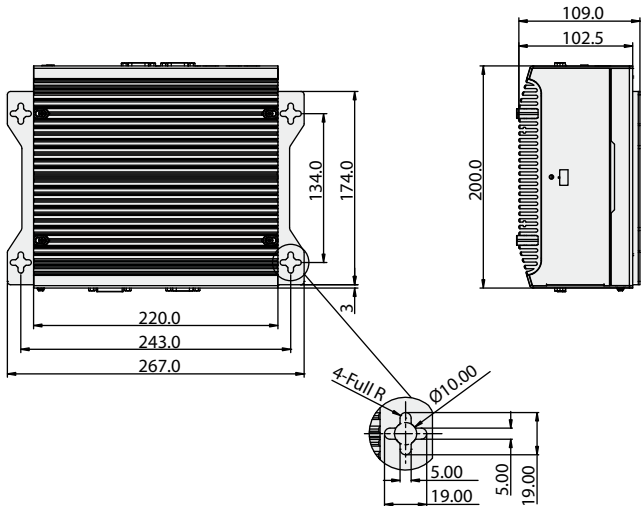
Specifications

Processor System	CPU	Intel Core i7 610E, up to 2.53 GHz	Intel Core i5 520E 2.4 GHz	Intel Celeron SV P4505 1.86 GHz
	System Chipset	Intel QM57 Chipset		
	BIOS	AMI 64 Mbit, SPI		
Memory	Technology	DDR3 1066 MHz		
	Max. Capacity	4 GB		
	Socket	2 x 200-pin SODIMM		
Graphics	Chipset	Integrated graphics built in Intel QM57		
	Interfaces	CRT Interfaces (Optional by Cable)		
		DVI Interfaces, compliant with DVI 1.0		
Ethernet	LAN 1	10/100/1000 Mbps Ethernet controller, supports Wake On LAN		
	LAN 2	10/100/1000 Mbps Ethernet controller, supports Wake On LAN		
	Amplifier	Dual output 2.2 W amplifier		
Audio	Interfaces	Spkr-out, Mic-in, Line-in		
	Serial Interfaces	2 x RS-232 ports and 1 x RS-232/422/485 port (2 x RS-232, 1 x RS-232/422/485 optional)		
IO Interfaces	USB Interfaces	6 x USB ports, (with optional 2 additional) Compliant with USB 2.0		
	Digital I/O	Supports 16-bit Digital IO (optional)		
Others	Thermal alarm	Yellow LED lighting		
	Watchdog timer	255 levels timer interval, setup by software		
	Function Key	6 programmable functional keys		
Expansion	ISA/PCI/PCIe Slot	1 slot PCI and 1 Slot PCIe x1 (default); 2 slots PCIe x1 (optional); 2 slots PCI (optional)		
	Mini PCI/Mini PCIe	2 x Mini PCIe		
	HDD	Supports drive bay space for 2 x SATA 2.5" HDD		
Storage	SSD	Supports CompactFlash socket for type I/II CompactFlash disk		
	Microsoft Windows	Win 7, XP Professional, XP Embedded, WinCE		
Software support	Linux	Fedora 9		
	Power Type	AT/ATX		
	Power Input Voltage	9 V _{DC} ~ 34 V _{DC}		
Power Requirements	Minimum Power Input	TBD		
	Power Adapter	AC to DC, DC19V/7.89A, 150W (Optional)		
	Typical	38 Watts (i7-610E 2.53GHz w/o expansion)		
Power Consumption	Max.	47.94 Watts (i7-610E 2.53GHz w/o expansion)		
	Construction	Aluminum housing		
	Mounting	Desk/wall-mounting		
Mechanical	Dimensions (W x H x D)	220 mm x 102.5 mm x 200 mm (8.66" x 4.04" x 7.87")		
	Weight	4 kg (8.8 lb)		
	Operating Temperature	With industrial grade CompactFlash disk: -20 ~ 55° C With 2.5-inch extended temperature hard disk -20 to 45° C, with air flow		
Environment	Storage Temperature	-40 ~ 85° C (-40-185°F)		
	Relative Humidity	95% @ 40° C (non-condensing)		
	Vibration Loading During Operation	With CompactFlash disk: 5 Grms, IEC 60068-2-64, random, 5 ~ 500 Hz, 1 Oct./min, 1 hr/axis With 2.5-inch hard disk: 1 Grms, IEC 60068-2-64, random, 5 ~ 500 Hz, 1 Oct./min, 1 hr/axis		
	Shock During Operation	With CompactFlash disk: 50 G, IEC 60068-2-27, half sine, 11 ms duration With hard disk: 20 G, IEC 60068-2-27, half sine, 11 ms duration		
	EMC	CE/FCC Class A, CCC, BSMI		
	Safety Certifications	UL, CCC, BSMI		



Dimensions

Unit: mm



Packing List

Part Number	Description
-	1 x ARK-3440 Unit
1960014487T00C	2 x Desk/Wall mount plate
1652003234	1 x 4-pin Phoenix DC power connector
1654000446	1 x DVI-I to CRT connector
-	1 x Utility CD

Optional Items

Part Number	Description
1757002161	AC-to-DC Adapter, DC19 V/7.89A 150W, with Phoenix Power Plug, 0 ~ 40° C for Home and Office Use
1702002600	Power Cable 3-pin 180 cm, USA type
1700004713	Cable DVI-I to DVI and CRT

Ordering Information

Part Number	Description
ARK-3440F-U5A1E	Intel Core i7 Compact Embedded Box IPC
ARK-3440F-U4A1E	Intel Core i5 Compact Embedded Box IPC
ARK-3440F-S8A1E	Intel Celeron P4505 Compact Embedded Box IPC

