

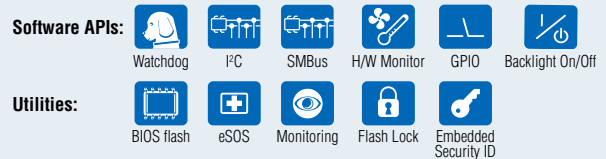
SOM-5788

Intel® Core™ i7/i5 Processor
COM-Express Basic Module



Features

- Embedded Intel® Core™ i7/i5 processor + QM57
- Intel® GMA supports 18/24-bit LVDS, HDMI, Displayport, TV-out, VGA
- Supports 2 DDR3-1066 memory SODIMM sockets up to 8 GB
- Supports 6 PCIe1, 4 PCI masters, 4 SATAII, 8 USB 2.0, EIDE, GbE
- Supports Advantech iManager and software APIs



CE FCC

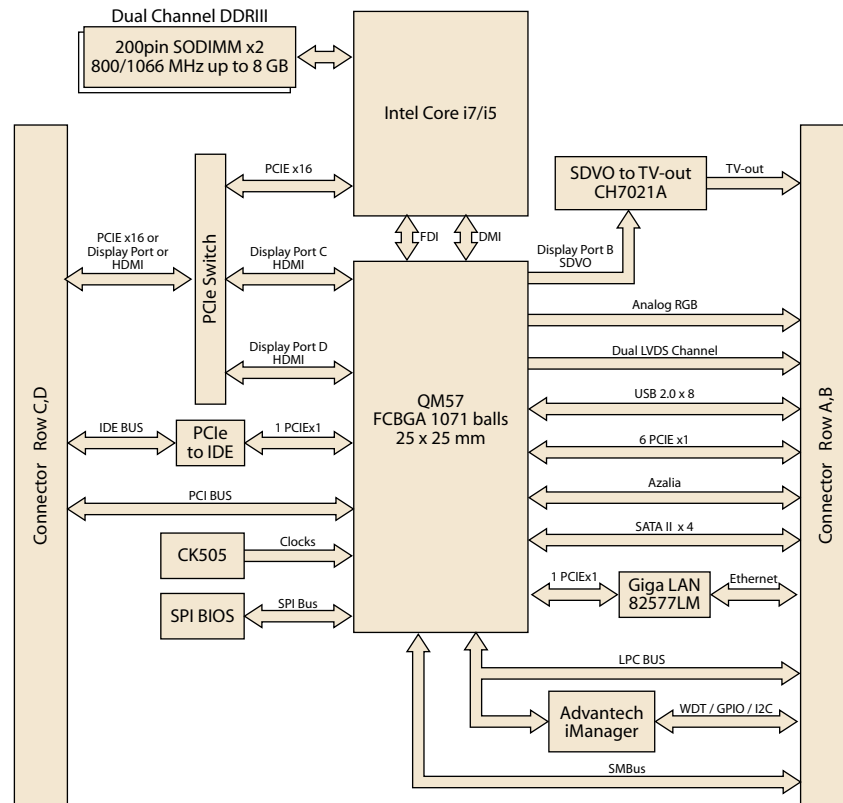
Specifications

Form Factor	COM-Express Basic Module, Type II Pin-out	
Processor System	CPU	Intel Core i7-610E Processor (4M Cache, 2.53 GHz) Intel Core i7-620LE Processor (4M Cache, 2.00 GHz) Intel Core i7-620UE Processor (4M Cache, 1.06 GHz) Intel Core i5-520E Processor (3M Cache, 2.40 GHz)
	System Chipset	Intel QM57
	BIOS	AMI 64 Mbit Flash BIOS
Memory	Technology	DDR3 800/1066 MHz
	Max. Capacity	up to 8 GB
	Socket	2 x 204-pin SODIMM sockets
Display	Chipset	Intel GMA integrated in Core i7 or Core i5
	Graphic Engine	Intel Next Gen HDMI, DVI, TV-out shared with PEG
	LVDS	Single and dual channel 18/24-bit LVDS
	VGA	up to 2048 x 1536 HDMI, Displayport, TV-out shared with PEG
Ethernet	Chipset	Intel 82577LM Gigabit Ethernet
	Speed	10/100/1000 Mbps
WatchDog Timer	65536 level timer interval, from 0-65535 sec, multi-level, multi-option watchdog timer	
Expansion	LPC, 6 PCIe x 1 and 1 PEG x 16, 4 PCI masters	
I/O	PATA	1 x EIDE (UDMA 100)
	SATA	4 x SATAII (300 MB/s)
	USB	8 x USB 2.0
	Audio	High definition audio interface
	GPIO	8-bit GPIO
Power	Power Type	ATX, AT
	Power Supply Voltage	+12 V and +5 VSB for ATX, +12V for AT
Environment	Operating Temperature	0 ~ 60° C (32 ~ 140° F)
	Operating Humidity	0% ~ 90% relative humidity, non-condensing
Mechanical	Dimension	95 x 125 mm (3.74" x 4.92")



www.anewtech.net

Board Diagram



Ordering Information

Part No.	CPU	L2 Cache	Chipset	LVDS	VGA	Giga LAN	HD Audio	PCIe x 4	PCIe x 1	PCI	USB 2.0	SATA	LPC	SMBUS	ATX Power	AT Power	Thermal Solution	OperatingTemp.
SOM-5788FG-U5A1E	Core i7-610E SV 2.53 GHz	4 MB	QM57	18/24-bit	Yes	1	Yes	Option	6	4	8	4 x SATAII	1	1	Yes	Yes	Active	0 - 60° C
SOM-5788FG-U0A1E	Core i7-620LE LV 2.0 GHz	4 MB	QM57	18/24-bit	Yes	1	Yes	Option	6	4	8	4 x SATAII	1	1	Yes	Yes	Active	0 - 60° C
SOM-5788FG-S1A1E	Core i7-620UE ULV 1.06 GHz	4 MB	QM57	18/24-bit	Yes	1	Yes	Option	6	4	8	4 x SATAII	1	1	Yes	Yes	Active	0 - 60° C
SOM-5788FG-U4A1E	Core i5-520E SV 2.4 GHz	3 MB	QM57	18/24-bit	Yes	1	Yes	Option	6	4	8	4 x SATAII	1	1	Yes	Yes	Active	0 - 60° C

Development Board

Part No.	Description
SOM-DB5700G-00A2E	Development Board for COM-Express with GLAN

Optional Accessories

Part No.	Description
1960019182T10B	Semi-Coller 95 x 125 x 22 mm with 12 V Fan

Packing List

Part No.	Description	Quantity
	SOM-5788 CPU Module	1
	Utility CD	1
1960047959T001	Heatspreader	1