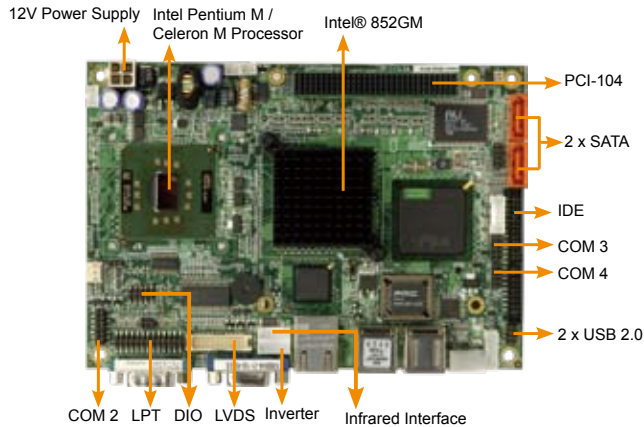
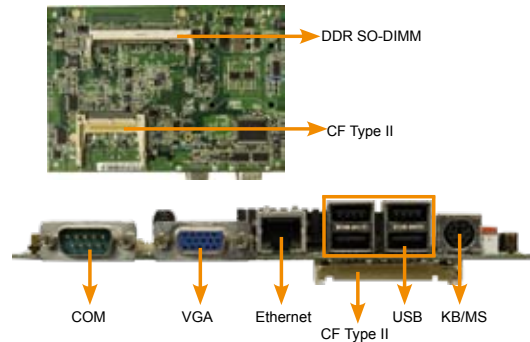


epic NANO-8522G-R12

EPIC Intel® Pentium® M/Celeron® M CPU with VGA/LVDS, SATA, LAN and Audio



Solder Side



FSB400 DDR266 12V Only



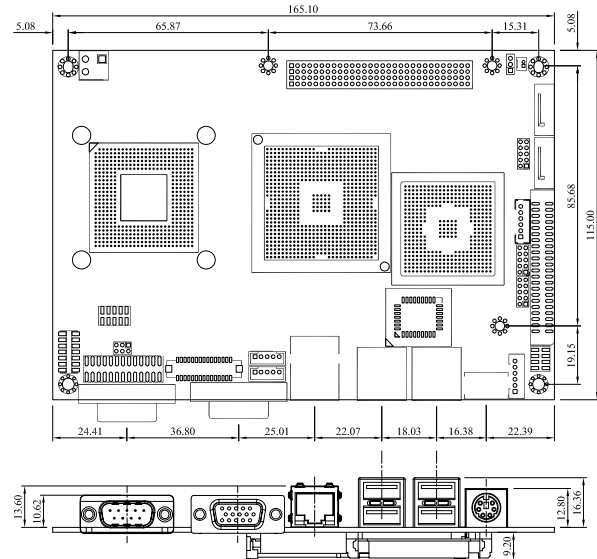
Specifications

- ◆ CPU
Socket 479 Intel® Pentium® M, Celeron® M processor with a 400MHz FSB
On board Intel® Celeron® M 600MHz 512KB or 1GHz zero cache processor
- ◆ System Chipsets
Intel® 852GM + ICH4
- ◆ BIOS
AMI BIOS
- ◆ System Memory
One 200-pin 266/200MHz DDR SDRAM SO-DIMM supported (system max. 1GB)
- ◆ Ethernet
Intel® 82541PI GbE chipset with ASF2.0 remote control support
Intel® 82551ER Ethernet chipset
- ◆ I/O Interface
2 x SATA with ALI M5283 RAID 0,1 function support
6 x USB 2.0
1 x CF Type II
3 x RS-232
1 x RS-232/422/485
1 x PS/2 for KB/MS
1 x IDE
- ◆ Expansions
1 x PCI-104 (PCI bus)
- ◆ Audio
Realtek ALC655 with AC'97 codec
- ◆ Digital I/O
8-bit digital I/O, 4-bit input/ 4-bit output by super I/O
- ◆ Infrared Interface
By super I/O
- ◆ Super I/O
W83627EHG
- ◆ Display Interface
VGA integrated in Intel® 852GM
18-bit dual-channel LVDS
- ◆ Watchdog Timer
Software programmable supports 1-255 sec. system reset
- ◆ Power Supply
12V only, AT/ATX support
- ◆ Power Consumption
12V@ 0.96A
(ULV Intel® Celeron® M 800MHz zero cache with DDR266MHz, 256MB RAM)
12V@ 1.99A
(Pentium® M 1.7GHz/L2-2M with DDR266MHz, 512MB RAM)
- ◆ Temperature
Operating: 0°C ~ 60°C (32 ~ 140° F)
- ◆ Humidity
Operating: 5% ~ 95%, non-condensing
- ◆ Dimensions
165 mm x 115 mm
- ◆ Weight
GW: 1100 g; NW: 250 g

Features

1. Intel® Pentium® M/ Celeron® M CPU with 400MHz FSB
2. VGA integrated in Intel® 852GM, support 18-bit dual-channel LVDS for independent dual display
3. One DDR266/200MHz SO-DIMM supports up to 1GB
4. Support PCI-104 extension slot
5. CF Type II, Intel® LAN, USB 2.0, Multi-COM, Audio and SATA integrated

Dimensions (mm)



Ordering Information

Part No.	Description
NANO-8522E-1GZ-R12	EPIC SBC with Intel® Celeron® M 1GHz zero cache processor on board with VGA/LVDS, LAN, SATA and Audio
NANO-8522E-600-R12	EPIC SBC Intel® Celeron® M 600MHz 512K cache processor on board with VGA/LVDS, LAN, SATA and Audio
NANO-8522G-R12	EPIC SBC Socket 479 Intel® Pentium® M / Celeron® M (Banias core/90nm) processor FSB400Mhz, VGA/LVDS, GbE, SATA and Audio
CF-479B-RS	CPU Cooler
32000-070300-RS	USB Cable
32200-015100-RS	LPT Cable
32200-026500-RS	RS-232/422/485 Cable
32100-052100-RS	ATX Power Cable

Packing List

- 1 x NANO-8522 Single Board Computer
- 1 x IDE Flat Cable 44p/44p (P/N: 32200-000009-RS)
- 1 x KB/PS2 Mouse Y Cable (P/N: 32000-000138-RS)
- 1 x Audio Cable (P/N: 32000-072100-RS)
- 2 x SATA Cable (P/N: 32000-062800-RS)
- 1 x SATA Power Cable (P/N: 32100-088600-RS)
- 2 x RS-232 Cable (P/N: 32200-000049-RS)
- 1 x Power Cable (P/N: 32100-087100-RS)
- 1 x Mini Jumper Pack
- 1 x Utility CD
- 1 x QIG (Quick Installation Guide)