

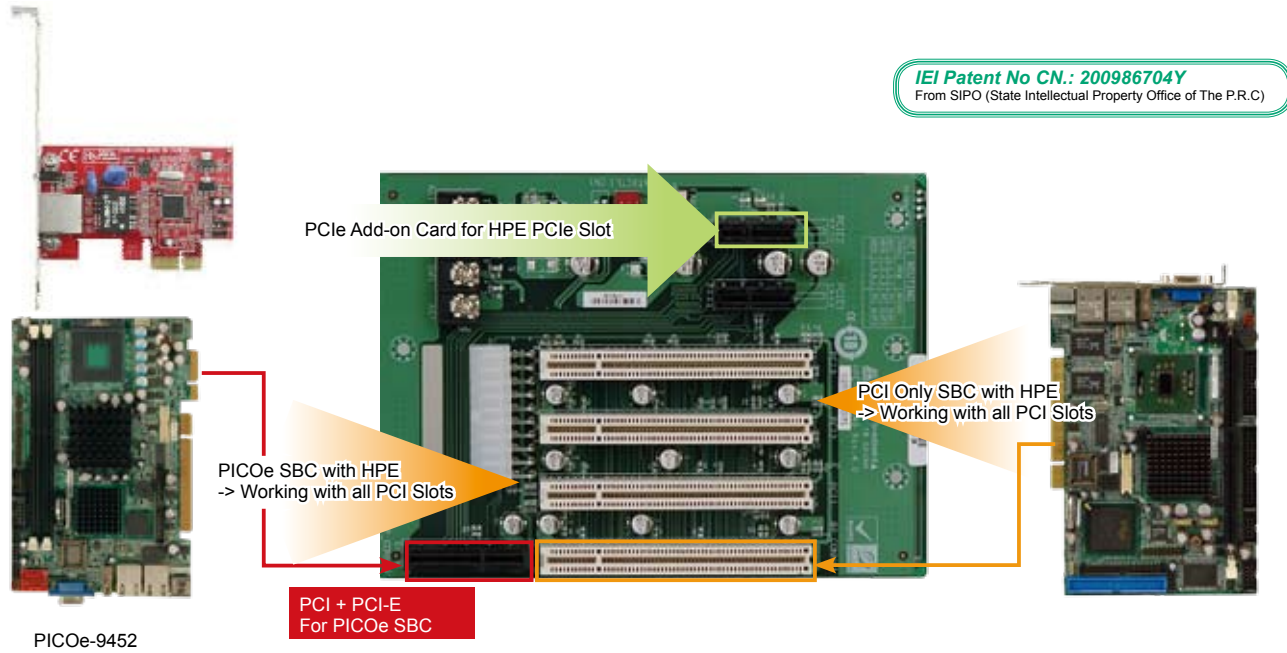
PCI/ PICOe Backplane

Support PCI / PICOe Slot on one Backplane!

The advantages of using PCI/ PICOe Backplanes are numerous:

1. They support half-size PCI single board computers
2. They support half-size PICOe single board computers
3. The PICOe backplanes are combines the PCI bus and the PCIe x4 bus or PCIe x1 bus to provide excellent I/O bus bandwidth and performance.

Compatible with all PICMG 1.0 half size PCI SBCs and PICOe SBCs.



PICOe-9452

Selection Guide

PAC series wall-mount Chassis

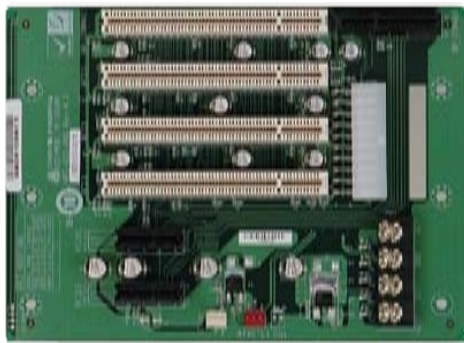
4U Rack-mount Chassis

2U Rack-mount Chassis

	PCIe/PCI	PCIe/PCI	HPE-3S1	HPE-3S2	HPE-4S1	HPE-4S2	HPE-5S1	HPE-5S2
Total Slot			3	3	4	4	5	5
Expansion Slots	PCI		2	1	3	2	4	3
	PCIe	x4		1		1		1
		x1						
Chassis			PR-1300G PAC-54G	PR-1300G PAC-54G	PAC-42GH PAC-400G PACO-504H	PAC-42GH PAC-400G PACO-504H	PR-1500G RACK-500G	PR-1500G RACK-500G
Note								

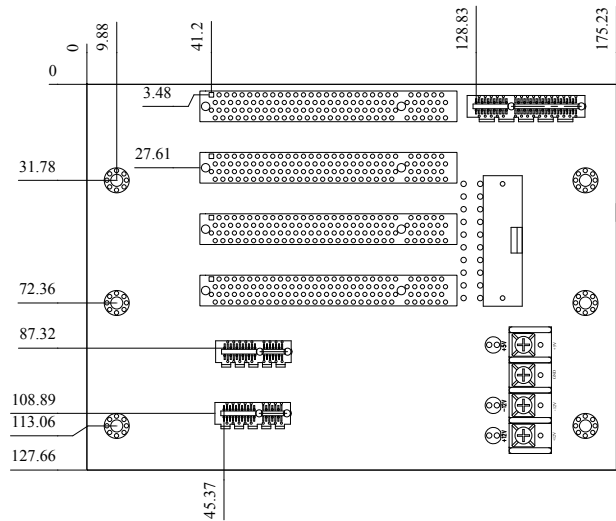
	PCIe/PCI	PCIe/PCI	HPE-5S3	HPE-6S1	HPE-6S2	HPE-7S1	HPE-8S
Total Slot			5	6	6	7	7
Expansion Slots	PCI		2	4	3	4	4
	PCIe	x4	0	1	0	0	0
		x1	2		2	2	2
Chassis			PR-1500G RACK-500G	PACO-506H	PACO-506H	PAC-700G	RACK-3400G
Note							

HPE-6S2-R40



Ordering Information

HPE-6S2-R40	6-slot backplane with three PCI buses and two PCIe x1 buses
PACO-506H	6-slot half-size industrial chassis

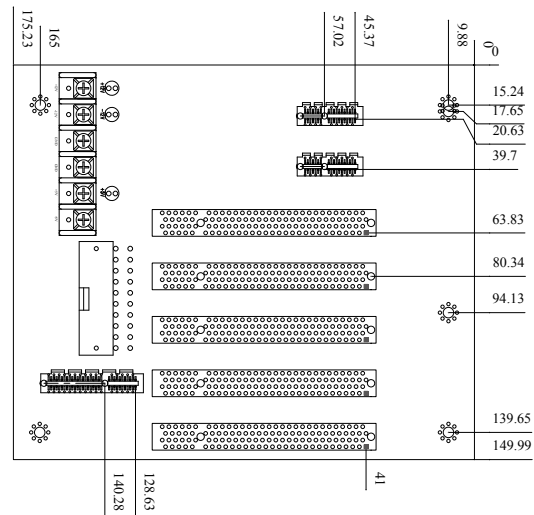


HPE-7S1-R40



Ordering Information

HPE-7S1-R40	7-slot backplane with four PCI buses and two PCIe x1 buses
PAC-700G	7-slot half-size industrial chassis



HPE-8S0-R40



Ordering Information

HPE-8S0-R40	7-slot backplane with four PCI buses and two PCIe x1 buses
RACK-3400G	4U 10-slot half-size rackmount chassis

