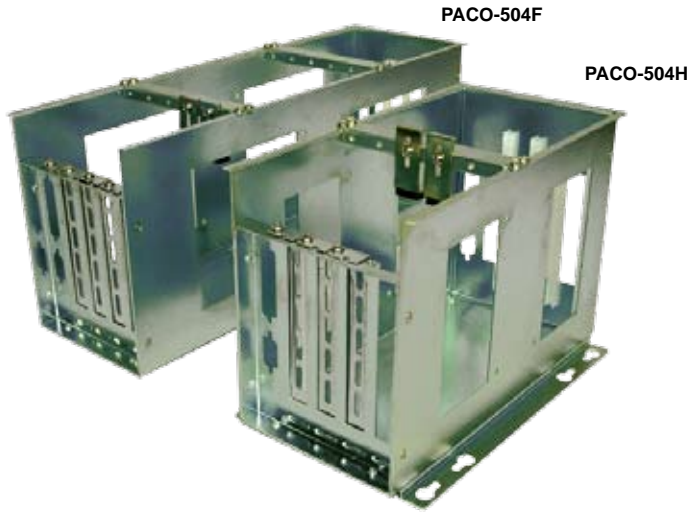


PACO-504H/504F

4-slot Open Frame Card Cage



Features

- RoHS compliant design
- Supports PE, PCISA, ISA, and IEI PICO 4-slot backplane
- Two sets of 3.5" HDD mounting holes, one set on each side of the cage
- Two COM port and two LPT port openings
- Wall mountable design

Specifications

Model No.	PACO-504F	PACO-504H
SBC Type	Full-size slot SBC	Half-size slot SBC
Construction	SECC/SGCC	SECC/SGCC
Max. Slots	4 slots	4 slots
I/O Openings	COM	2
	LPT	2
3.5" HDD mounting hole	2 sets	2 sets
Mounting	Wall mount	Wall mount
Dimensions(DxWxH)	362 mm x 124 mm x 158 mm	224 mm x 124 mm x 158 mm
Weight (Net / Gross)	1.2 kg / 2.8 kg	1 kg / 2.5 kg

Backplane Options

PACO-504H



PSU Type	BP series	IP series	HPE series
AT	BP-4S-RS-R40	IP-4S-RS-R40 IP-4S2-RS-R40 IP-4S3-RS-R40	
ATX		IP-4S2A-RS-R40 IP-4SA-RS-R40	HPE-4S1-R40 HPE-4S2-R40

PACO-504F

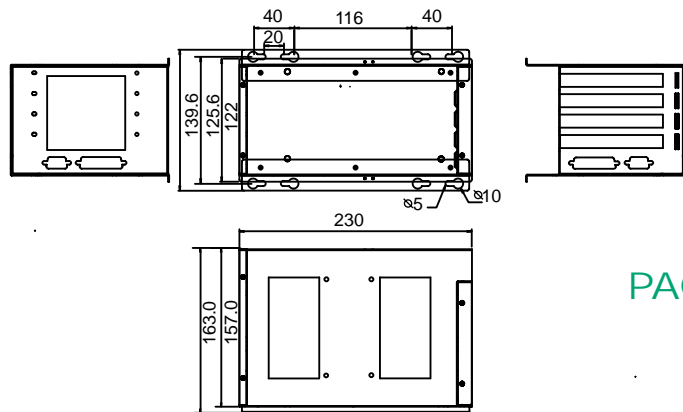


PSU Type	PCI series	PE series
ATX		PE-4S-R40 PE-4S2-R40 PE-4S3-R40
AT/ATX	PCI-4S-RS-R40	

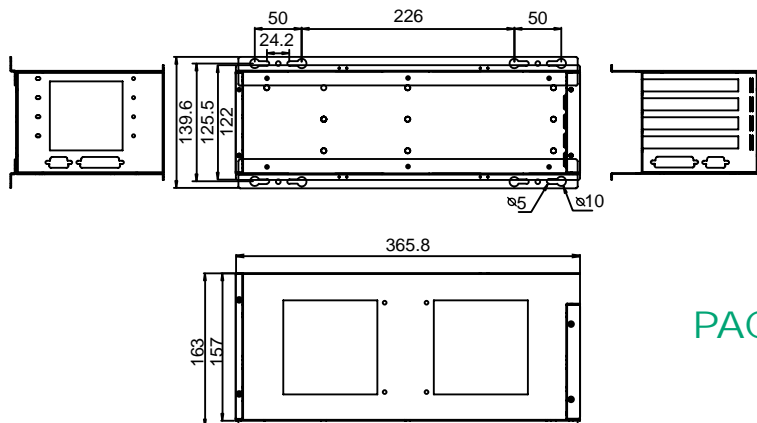
Backplane Specifications

Model No.	SBC Type	PCIe			PCI	ISA	PSU Connector
		x1	x4	x16			
BP-4S-RS-R40	ISA	0	0	0	0	4	AT
IP-4S-RS-R40	PCISA	0	0	0	3	0	AT
IP-4S2-RS-R40	PCISA	0	0	0	2	1	AT
IP-4S3-RS-R40	PCISA	0	0	0	0	3	AT
HPE-4S1-R40	PCI/PICoE	0	0	0	3	0	ATX
HPE-4S2-R40	PCI/PICoE	0	1	0	2	0	ATX
PE-4S-R40	PICMG 1.3	0	1	1	1	0	ATX
PE-4S2-R40	PICMG 1.3	0	0	1	2	0	ATX
PE-4S3-R40	PICMG 1.3	2	0	1	0	0	ATX
IP-4S2A-RS-R40	PCISA	0	0	0	3	0	ATX
IP-4SA-RS-R40	PCISA	0	0	0	3	0	ATX
PCI-4S-RS-R40	PICMG 1.0	0	0	0	3	1	AT/ATX

Dimensions (unit: mm)



PACO-504H



PACO-504F

Ordering Information

Part No.	Description
PACO-504F	4-slot open frame card cage for full-size slot SBC, RoHS
PACO-504H	4-slot open frame card cage for half-size slot SBC, RoHS