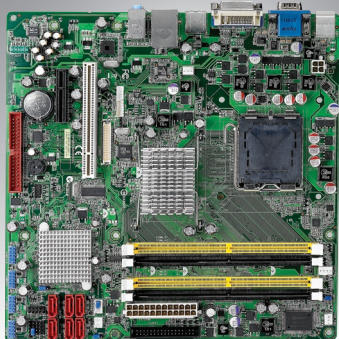


AIMB-566

**LGA 775 Core 2 Quad/Core 2 Duo
Processor-based MicroATX with
DDR2/GbE/DVI/2 COM**



Features

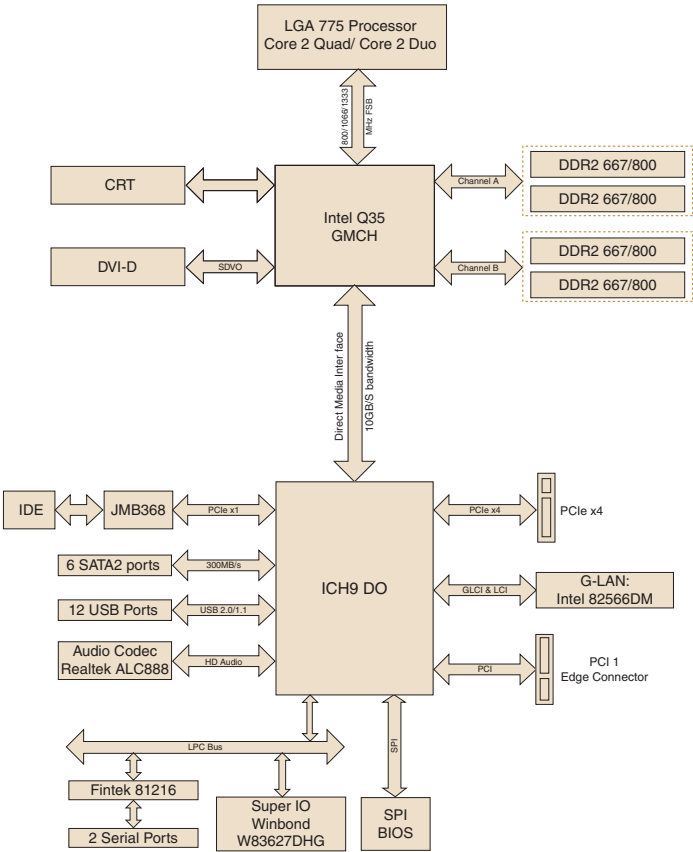
- Intel Q35 and ICH9 DO supporting 800/1066/1333 MHz FSB
- Supports dual core and quad core process with 45nm processing
- Dual channel DDR2 667/800 SDRAM up to 8 GB
- Supports Dual Display, VGA and DVI-D
- Supports 1 PCIe x4 and 1 PCI full-length cards
- Supports 6 SATA II and software RAID 0, 1, 5, 10
- Built in with Intel single GbE controller



Specifications

Processor System	CPU (45/65nm)	Core 2 Quad	Core 2 Duo	Pentium Dual core	Celeron
	Max. Speed	2.83 GHz	3.16 GHz	2.2 GHz	2.0 GHz
	L2 Cache	12 MB	6 MB	1 MB	512 KB
	Chipset	Intel Q35 + ICH9 DO			
	BIOS	AMI 32Mbit SPI			
	Front Side Bus	800/1066/1333 MHz			
Expansion Slot	PCIe x4	1 GB/s per direction, 1 slot			
	PCI	32-bit/33 MHz, 1 slots			
Memory	Technology	Dual channel DDR2 667/800 MHz			
	Max. Capacity	8 GB			
	Socket	240-pin DIMM x 4			
Graphic	Embedded	Chipset integrated VGA controller			
	Add-on	PCIe x4 or PCI slot			
Ethernet	Interface	10/100/1000 Base-T			
	Controller	Intel 82566DM			
	Connector	RJ-45 x 1			
SATA II	Max. Data Transfer Rate	300 MB/s			
	Channel	6			
EIDE	Mode	ATA 100/66/33			
	Channel	1 (max. 2 devices)			
I/O Interface	VGA	1			
	DVI-D	1			
	USB	Max. 12 (USB 2.0 compliant) 8 ports on board and 4 ports on rear I/O			
	Audio	3 (Mic-In, Line-In, Line-Out)			
	Serial	2 RS-232 ports			
	FDD	1			
	PS/2	2			
Watchdog Timer	Output	System reset			
	Interval	Programmable 1~ 255 sec			
	Typical				
Power Requirement		+12 V	+5 V	+3.3 V	5 Vsb
Environment		Operating		Non-Operating	
	Temperature	0 ~ 55° C (32 ~ 140° F), depends on CPU's speed and cooler solution		-20 ~ 70° C (-4 ~ 158° F)	
Physical Characteristics	Dimensions (W x D)	244 mm x 244 mm (9.6" x 9.6")			

Block Diagram



Ordering Information

	VGA	DVI	GbE	COM	SATA
AIMB-566VG-00A1E	1	1	1	2	6

Bracket View

Packing List

Description	Quantity
IDE HDD cable	x 1
Floppy Cable	x 1
Serial ATA HDD data cable	x 2
Serial ATA HDD power cable	x 2
I/O port bracket	x 1
Startup manual	x 1
Utility CD	x 1

Accessories