

AIMB-542

LGA775 Pentium® 4/Celeron® D Processor-based MicroATX with AGP/Single FE LAN



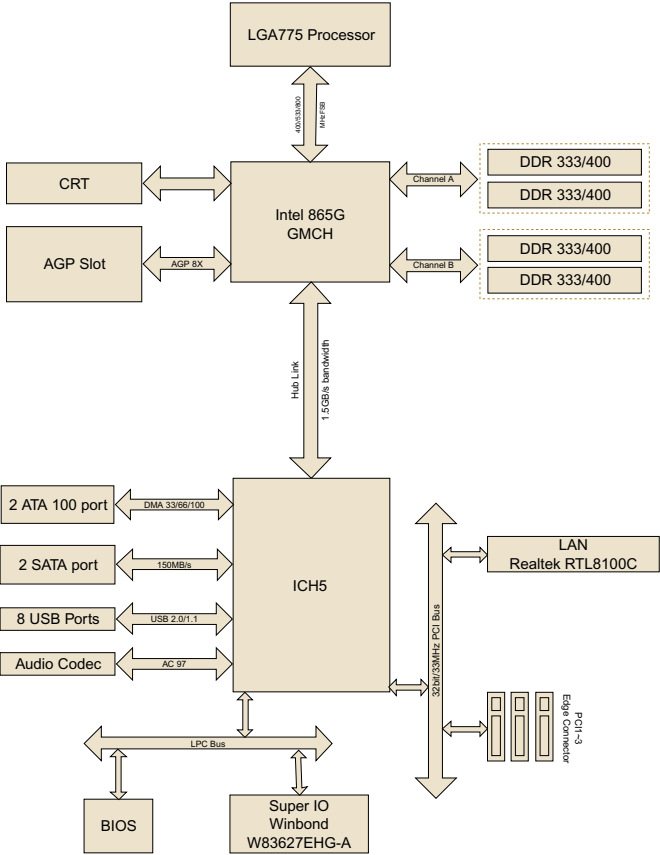
- Intel® 865G chipset 533/800 MHz FSB
- Supports dual channel DDR 333/400 SDRAM
- Chipset integrated VGA
- Supports up to two Serial ATA devices
- Onboard AGP 8X slot
- Supports 10/100Base-T Ethernet



Specifications

Processor System	CPU (90nm)	Intel® Pentium® 4	Intel® Celeron® D				
	Max. Speed	3.8 GHz (800 FSB)	3.06 GHz				
	L2 Cache	1/ 2 MB	256 KB				
	Chipset	Intel 865G + ICH5					
	BIOS	AMI® 4 Mbit FWH					
	Front Side Bus	533/800 MHz					
Expansion Slot	AGP	AGP 8X					
	PCI	32-bit/33 MHz, 3 slots					
	ISA	None					
Memory	Technology	Dual channel DDR 333/400 SDRAM					
	Max. Capacity	4 GB					
	Socket	184-pin DIMM x 4					
Graphic	Controller	Chipset integrated VGA controller					
	VRAM	Dynamically shared system memory up to 64 MB					
Ethernet	Interface	10/100Base-T					
	Controller	Realtek™ RTL 8100C					
	Connector	RJ-45 x 1					
SATA	Max. Data Transfer Rate	150 MB/s					
	Channel	2					
EIDE	Mode	ATA 100/66/33					
	Channel	2 (Max. 4 devices)					
I/O Interface	VGA	1					
	USB	8 (USB 2.0, 480Mbps; 4 external ports and 4 onboard pin headers)					
	Audio	3 (Mic-In, Line-In, Line-Out)					
	Serial	1					
	Parallel	1 (SPP/EPP/ECP)					
	FDD	1					
	PS/2	2 (keyboard and mouse)					
Watchdog Timer		None					
Power Requirement	Typical	Pentium 4 3.4 GHz, 1 GB SRAM, 80 GB HDD					
		+12 V	+5 V	+3.3 V	5 Vsb	-5 V	-12 V
		9.95 A	1.51 A	5.18 A	282 mA	9 mA	18 mA
Environment		Operating				Non-Operating	
	Temperature	0 ~ 60° C (32 ~ 140° F), depends on CPU's speed and cooler solution				-20 ~ 70° C (-4 ~ 158° F)	
Physical Characteristics	Dimensions (W x D)	244 x 244 mm (9.6" x 9.6")					

Block Diagram



Ordering Information

Part Number	Embedded VGA	Fast Ethernet	AGP
AIMB-542VE-00A1E	Yes	Single	Yes

*AIMB-542 cannot be installed in ACP-2000MB chassis
 **We strongly suggest using only Advantech's certified LGA 775 CPU coolers to ensure board reliability under harsh environments

Bracket View



AIMB-542VE-00A1E

Packing List

Description	Quantity
FDD cable	x 1
IDE HDD cable	x 1
Serial ATA HDD data cable	x 2
Serial ATA HDD power cable	x 2
I/O port bracket	x 1
Startup manual	x 1
Utility CD	x 1

Accessories

Part Number	Description
1750000334	LGA 775 CPU cooler (115W)

