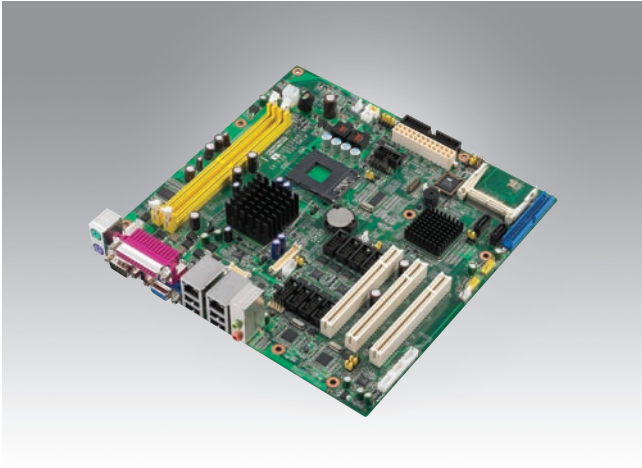


AIMB-552

Socket 478 Intel® Pentium® M/Celeron® M
MicroATX, VGA/LVDS, 10 COM, & Dual LAN



Features

- Intel® 910GML/915GME chipset supporting 400/533 MHz FSB processor
- Dual channel DDR2 400/533 SDRAM up to 2 GB
- Supports dual display for VGA, LVDS, and DVI (optional)
- Supports 10 serial ports, 8 USB, and 2 SATA ports
- Supports onboard CF socket
- Dual Gigabit Ethernet ports



CE FCC

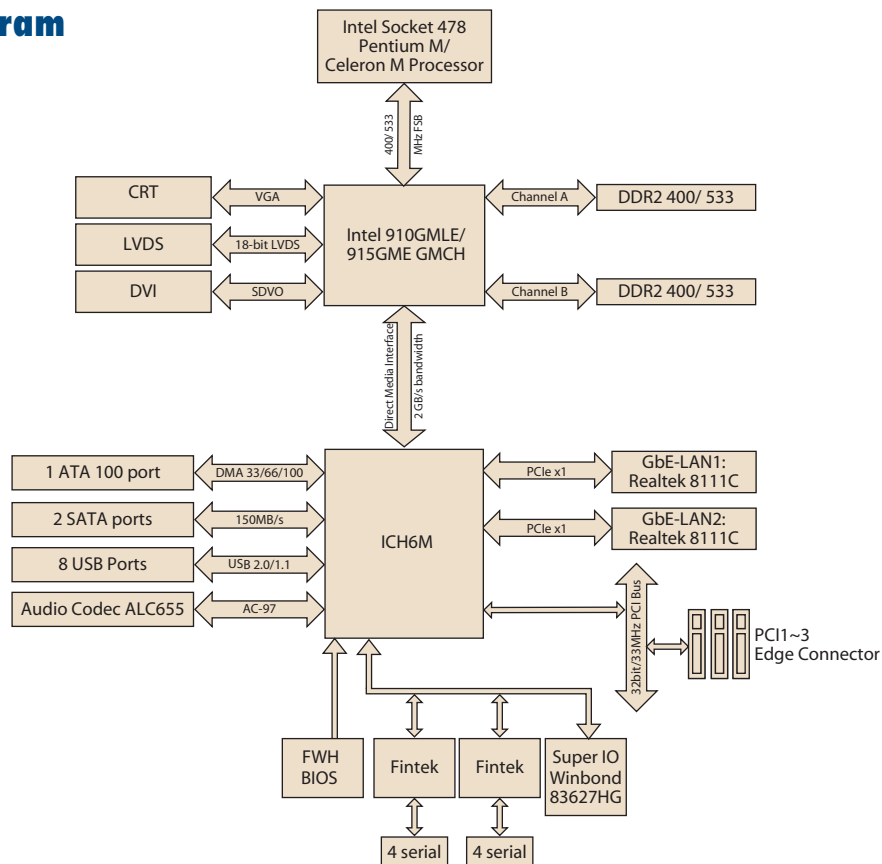
Specifications

Processor System	CPU (90 nm/130 nm)	Intel Pentium M	Intel Celeron M	Intel ULV Celeron M	
	Max. Speed	760 2.0 GHz	370 1.5 GHz	1 GHz on board	
	Front Side Bus	533 MHz	400 MHz	400 MHz	
	L2 Cache	2 MB	1 MB	0 KB	
	Chipset	Intel 915GME/910GML + ICH6M			
	BIOS	Award 4 Mbit, FWH			
Expansion Slot	PCI	32-bit/33 MHz, 3 slots			
Memory	Technology	Dual channel DDR2 400/533 SDRAM			
	Max. Capacity	2 GB			
	Socket	2 x 240-pin DIMM			
Graphics	Embedded	Intel GMA 900 sharing 128 MB system memory			
	LVDS	Single channel 18-bit/ dual channel 36-bit LVDS			
	DVI	Chrontel 7307C SDVO Transmitter (optional)			
	Dual display	CRT + LVDS, CRT + DVI, LVDS + DVI			
Ethernet	Interface	10/100/1000 Mbps			
	Controller	GbE LAN1: Realtek RTL8111C, GbE LAN2: Realtek RTL8111C			
	Connector	RJ-45 x 2			
SATA	Max. Data Transfer Rate	150 MB/s			
	Channel	2			
EIDE	Mode	ATA 100/66/33			
	Channels	1 (max. two devices)			
SSD	CompactFlash	CompactFlash Type I/II			
I/O Interface	VGA	1			
	LVDS	1			
	DVI	1 (optional)			
	LAN	2			
	USB	8			
	Audio	2 (Line-out, Mic-in)			
	Serial	10 (2 of RS-232/422/485)			
	Parallel	1 (SPP/EPP/ECP)			
	FDD	1			
	PS/2	2 (1 x keyboard and 1 x mouse)			
Watchdog Timer	Output	System reset			
	Interval	Programmable 1 ~ 255 sec/min			
Power Requirement	Power On	Pentium 2.0 GHz PGA (FSB 533), 1GB DDR2 667		Celeron M 1.0GHz BGA (FSB 400), 1 GB DDR2 533	
		+5 V	+3.3 V	+12 V	+5 V +3.3 V +12 V
		2.62 A	0.55 A	1.84 A	3.17 A 0.403 A 0.527 A
Environment	Temperature	Operating		Non-Operating	
		0 ~ 60° C (32 ~ 140° F)		-20 ~ 70° C (-4~150° F)	
Physical Characteristics	Dimensions (W x D)	244 mm x 244 mm (9.6" x 9.6")			

* Intel 910GML only supports FSB 400 processor and DDR2 400 SDRAM



Board Diagram



Ordering Information

Part Number	On board processor	Chipset	DDR2	Display	GbE
AIMB-552G2-S0A1E	Celeron 1 GHz	910GML	400	VGA/LVDS	2
AIMB-552G2-00A1E	-	915GME	400/533	VGA/LVDS/DVI	2

*AIMB-552 cannot be installed in ACP-2000MB chassis

Riser Card

Part Number	Description
AIMB-RP10P-01A1E	1U riser card for 1 PCI expansion
AIMB-RP30P-03A1E	2U riser card for 3 PCI expansion

Bracket View



AIMB-552G2-00A1E
AIMB-552G2-S0A1E

Packing List

Part Number	Description	Quantity
1700340640	FDD cable	x 1
1701400452	IDE HDD cable	x 1
1700003194	Serial ATA HDD data cable	x 2
1703150102	Serial ATA HDD power cable	x 2
1701100300	COM port cable kit	x 5
9689000068	Jumper pack	x 1
1960012532T000	I/O bracket	x 1
-	Startup manual	x 1
-	Utility CD	x 1
1750000348	CPU cooler for AIMB-552G2-00A1E	x 1
1960017368T000	Passive heatsink for AIMB-552G2-S0A1E	x 1

Accessories

Part Number	Description
1700002314	USB cable with four ports, 30.5cm
1700002204	USB cable with dual ports, 27cm
1700003195	USB cable with dual ports, 17.5cm
1700000821	DVI cables