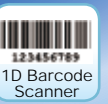


ICEFIRE

10.4" Mobile Clinic Assistant

- 10.4" TFT XGA LCD
- Intel® Atom™ D525 dual core platform
- Powered by Windows® 7 Embedded
- Dual-mode input (digitizer + resistive touch)
- Dual hot swappable batteries
- 1D/2D barcode reader, RFID reader, smart card reader and fingerprint reader
- Bluetooth, Wi-Fi, 3.75G wireless



Mobile Clinic Assistant Applications



Retrieve patient data at bedside for optimal point-of-care treatment.



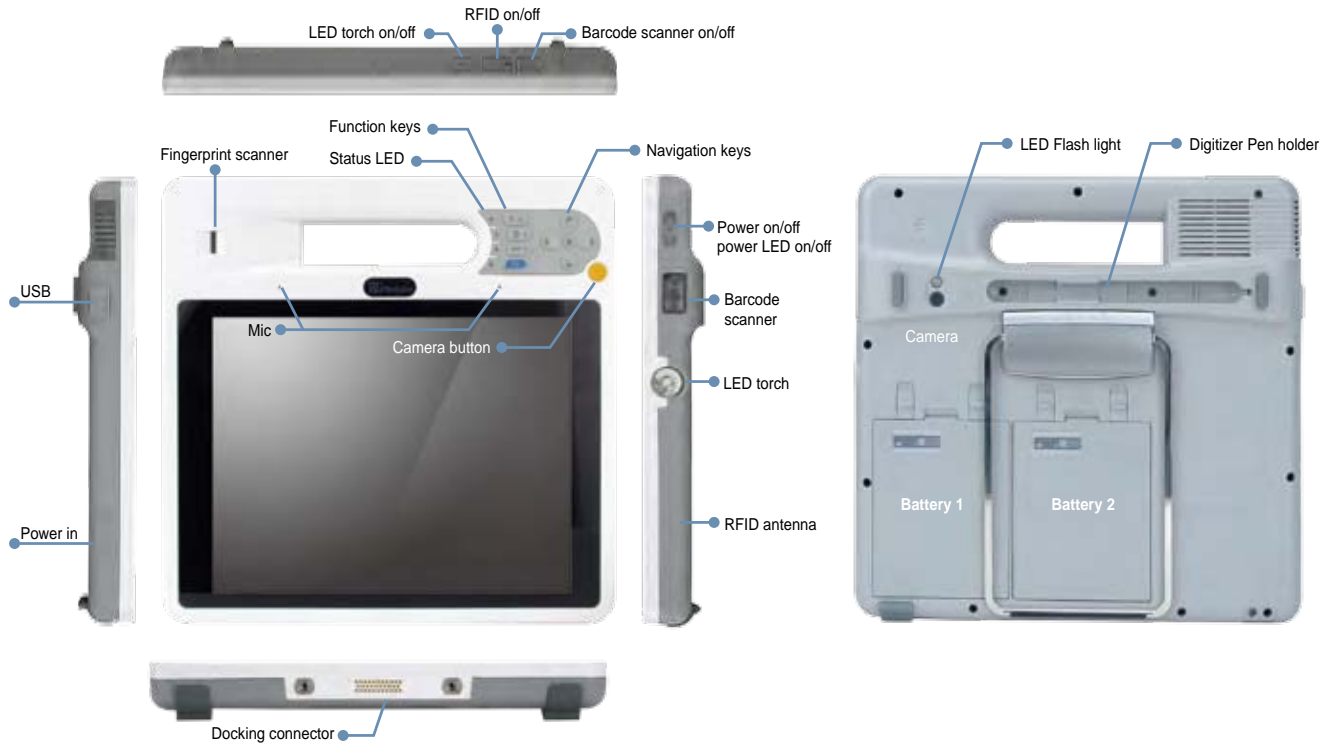
Instant access to patient medical history for real-time diagnosis.



Accurately capture and record patient symptoms during an emergency.



Increase productivity and decrease opportunity for errors through documentation directly at point-of-care.



Compact, Slim, and Ergonomic Design

IP64 Compliant and Easy-to-Clean Plastic Housing



Ergonomic Handlebar and Hinge Stand



Handle design for easy carry



Ergonomic Grip Handle



Desk-mount stand for ease of use

Medical-grade Certification Approved



EN 60601-1
EN 60950

Slim and Lightweight Design

1.8 kg with Battery



Antibacterial Housing



One Key Recovery

Without having to go through complicated settings, IEI One Key Recovery uses exclusive technology to recover and backup your system with just one click.

Recover the system from

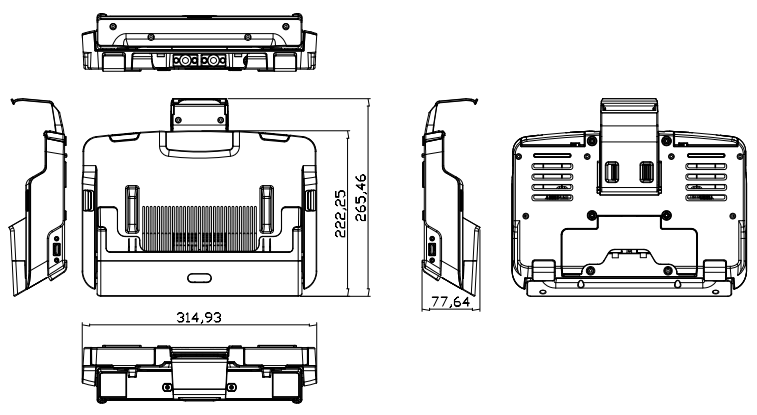
- Severe virus attack
- Operating system crash
- Man-made disasters



Multi-functional Docking Station



Docking Dimensions (Unit: mm)



Battery Charging Packs

The ICEFIRE Docking Station (ICEFIRE-DS) provides power to one docked ICEFIRE and two plug-in battery packs simultaneously.



Easy and Flexible Installation



Desktop Installation

Wall-mount Installation

Ergonomic Sliding and Hooking Design

WOW (Workstation on Wheels) Installation

The combination of ICEFIRE and ICEFIRE Docking Station is an ideal solution for a healthcare carts:

- Desktop, swing arm, or VESA mounting options
- Expanded I/O connects to peripherals such as keyboard/mouse, printer, barcode scanner, or medical equipments
- Easy to draw out and draw back
- Convenient bedside healthcare
- Power and battery options support uninterrupted point-of-care

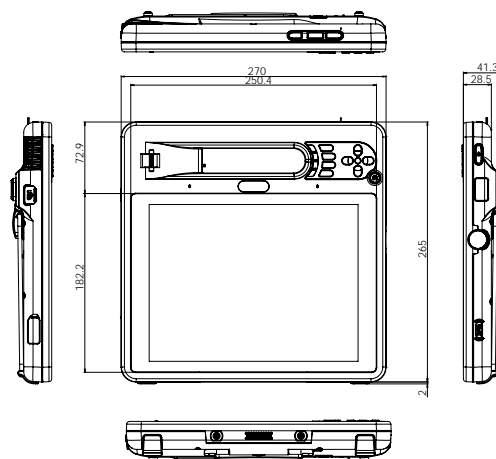


Specifications

Model		ICEFIRE
Display	LCD Size	10.4" TFT LCD
	Brightness (cd/m ²)	350 cd/m ²
	Max Resolution	1024 x 768 pixels XGA
	Viewing Angle	88/88/88/88 Deg.
	Touch Screen	Resistive Support Multi-touch and Gesture
	Digitizer	256 levels @ full scale pressure resolution
System	CPU	Intel® Atom™ D525 1.8GHz
	Chipset	Intel® ICH8M
	Operating System	Microsoft® Windows® 7 Embedded
	Memory	2GB DDR3 SDRAM 1333MHz
	Storage	32/64/128G optional SSD
Communication	Wireless LAN	Wi-Fi® 802.11a/b/g/n
	Bluetooth	Bluetooth® V2.1+ EDR (Class 2)
	Modem	WCDMA/HSUPA
Data Collection	Camera	3 Megapixel and LED Light
	Barcode	1D/2D Imager Scan Engine
	RFID	13.56 MHz RFID support ISO15693 and 14443A/B compliant
Indicator & Buttons	LED Indicator	Power/ Wi-Fi/Bluetooth/ RFID/ Battery Status LED
	Keys	5-way Navigation key Barcode Scanner/ RFID / LED Torch/Camera Wi-Fi/Bluetooth/SAS/Function Key
I/O Interface	USB	1 x USB 2.0
	LAN	1 x 10/100M LAN
	Audio	1 x 2W Speaker
		1 x Mic in
	LED Torch	1 x LED Torch
Power	Power Adapter	12V@5A@60W
	Docking Power Adapter	19V@4.74A@90W
	Battery	Dual 11.1V 1880mAh Li-ion Battery

Environment	Operating Temperature	0°C to +40°C
	Storage Temperature	-10°C to +60°C
	Humidity	5%~95% non-condensing
	Drop Survival	1.0 M
	Environmental Protection	Front Panel IP64 compliant
	Certification	CE/FCC, Medical-grade Class B EN 60601-1 EN60950 / UL
Physical Characteristics	Dimensions (LxWxH) (mm)	270 x 265 x 29
	Weight	1788 g

ICEFIRE Dimensions (Unit: mm)



Ordering Information

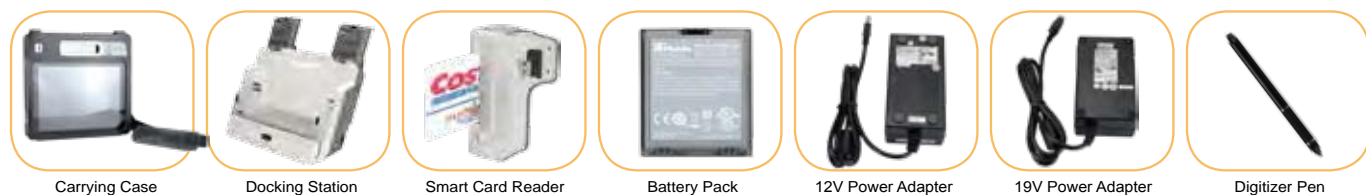
Part No.	Description
ICEFIRE-T10A-HU/2G-R10	10.4" TFT-LCD 350 cd/m ² XGA Industrial Mobile Clinical Assistant with Dual-core Intel® Atom™ D525 1.8GHz CPU Integrate Multi-Touch and Digitizer Dual Mode 2GB DDR3 RAM, Gobi2000 HSUPA, 802.11 a/b/g/n Wireless, Bluetooth, 1D/2D Barcode Scanner, RFID, 3M-Pixel Camera, LED Torch , RoHS
ICEFIRE-T10A-TR/2G-R10	10.4" TFT-LCD 350 cd/m ² XGA Industrial Mobile Clinical Assistant with Dual-core Intel® Atom™ D525 1.8GHz CPU Integrate Resistive Touch, 2GB DDR3 RAM, 802.11 a/b/g/n Wireless, Bluetooth, 1D/2D Barcode Scanner, RFID, 3M-Pixel Camera, LED Torch, RoHS

Support Function

Part Number	Digitizer	Touch	Wireless	Bluetooth	3.75G	Barcode	RFID
ICEFIRE-T10A-HU/2G-R10	Digitizer	Resistive Multi-Touch	802.11 a/b/g/n	Ver. 2.1+EDR, Class 2	Gobi2000	1D/2D Barcode Scanner	RFID
ICEFIRE-T10A-TR/2G-R10	N/A	Resistive Multi-Touch	802.11 a/b/g/n	Ver. 2.1+EDR, Class 2	N/A	1D/2D Barcode Scanner	RFID

Packing List

Item	Part No.	Q'ty	Description
Digitizer Pen	7Z000-UP7110E63C1-RS	1	Digitizer Sensor Pen Exclusive for ICEFIRE-T10A-HU/2G-R10
Battery Pack	31603-000016-RS	2	11.1V 1880 mAh Battery
Medical-grade Power Adapter (12 V, 5 A, 60 W)	63040-010060-020-RS	1	12V 5A 60W Medical Power Adapter
User's Manual CD ROM	7B000-000552-RS	1	
IEI One Key Recovery CD	IEI-7B000-000478-RS	1	



Optional Accessory List

Item	Part No.	Description
OS Windows 7 Embedded	ICEFIRE-T10A-WES7E-32	Preinstall Windows 7 Embedded OS image and License with 32G SSD
	ICEFIRE-T10A-WES7E-64	Preinstall Windows 7 Embedded OS image and License with 64G SSD
	ICEFIRE-T10A-WES7E-128	Preinstall Windows 7 Embedded OS image and License with 128G SSD
Docking Station	ICEFIRE-T10A-DS01-R10	ICEFIRE-T10A Docking Station
		Medical Docking Power Adapter 19 V, 4.74 A, 90 W 63040-010090-000-RS
Smart Card Reader	ICEFIRE-T10A-SCR01-R10	USB 2.0 Compliant interface Smart Card Reader complies with ISO7816-1,2,3 for ICEFIRE-T10A
Battery Pack	31603-000016-RS	11.1V 1880 mAh Battery
Digitizer Pen	7Z000-UP7110E63C1-RS	Digitizer Sensor Pen
Carrying Case	ICEFIRE-CB01-R10	Black, leather protective bag with shoulder strap