

AFL-F08A 8" Flat-Bezel Panel PC



The new 8" panel is a full-flat surface touchscreen PC. The AFL-F08A includes all necessary input/output interfaces to control any subsystem or automation hardware in your office, business, or home. The new stylish design is easily integrated into any environment. The front panel is IP64 compliant. An optional projected capacitive touchscreen provides a multi-touch interactive user experience.

Features:

- 8.0" LED TFT-LCD with stylish Flat-bezel touchscreen
- Optional projected capacitive touchscreen supports multitouch
- Fanless system with Intel® Atom™ Processor N270 (512K Cache, 1.60 GHz, 533 MHz FSB)
- Hot keys controlled by cap-sensor in the front panel
- Optional color change kit matches the style of any decoration
- Wireless WI-FI LAN 802.11 b/g
- Integrated Bluetooth 2.0 module
- Build-in 300K pixel CMOS camera with low-light capability
- Two 1.5W speakers and microphone for multimedia applications
- IP64 compliant front panel
- IEI One Key Recovery solution allows you to create rapid OS backup and recovery (Suggest over 4GB storage capacity)

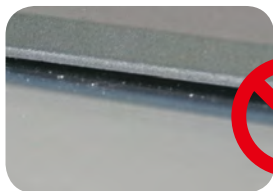


Full-flat Surface Touchscreen

The AFL-F08A flat-bezel design covers the entire front frame (bezel) of standard LCD to make the screen and bezel appear to blend together. The seamless flat-bezel touchscreen system offers a stylish and easy to clean surface.

Flat-Bezel Advantages:

- Better visual effects
- No edge effects
- Sleek and stylish
- Easy to clean



With Bezel

Applications:



OFFICE



LIVING ROOM



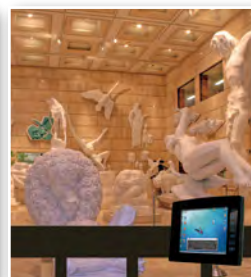
YACHTING



KITCHEN



AUTOMATION



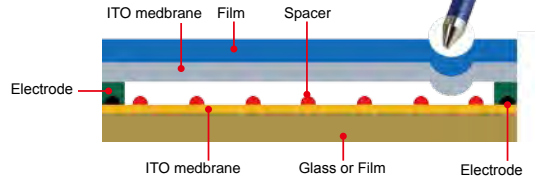
MUSEUM

5-wire Resistive Touch sensor



Operational Theory

There are two major parts of resistive touch panel: ITO film and ITO glass. Two conductive layers are separated and isolated by the dot spacers scattered evenly on the ITO glass. Only when the proper activation force is applied onto the ITO film, these two conductive layers are contacted and the analog signal (the voltage) will be sent out to the touch panel controller then transferred into a digital signal for system processing.



Touch Window Architecture

The AFL-F08A utilizes the touch window technology which consisting a decorative film overlay mounted in front of the touch panel to achieve the true-flat surface of a flat-bezel touch system.



Projected Capacitive Touch sensor

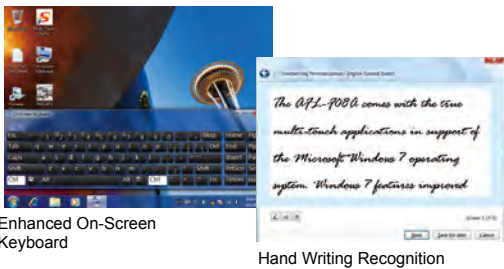
Operational Theory

PCT is based on the principle of embedding an array of micro-fine sensing wires within a multi-layer laminated screen behind a protective front surface, ensuring that the sensing medium is well-protected from accidental and malicious damage.



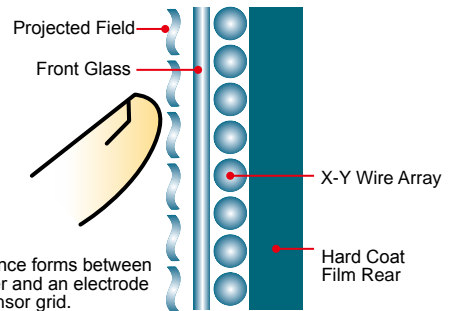
Windows® 7 with Multi-touch Capable

The AFL-F08A comes with the true multi-touch applications in support of the Microsoft Windows 7 operating system. Windows 7 features improved touch and gesture support. With Windows 7, handwriting recognition is faster, more accurate, and supports more languages



Enhanced On-Screen Keyboard

Hand Writing Recognition



Capacitance forms between The finger and an electrode In the sensor grid.

Intuitive multi-touch display



E-Book

Navigation

Stock

Gaming

Healthcare

Click to scroll quickly

Zoom in/out

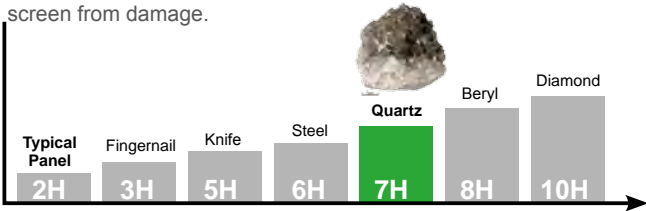
Two Point of Input

Two Point of Input

Rotate

● 7H Anti-scratch Surface

Projected Capacitive touch technology utilizes a durable glass front surface. 7H hardness is stronger than the conventional touch panel and therefore is able to protect the screen from damage.



MOH's Hardness Rating



● AR/AG Optical Coating

Special AR coating (anti-reflection) and AG coating (anti-glare) on the touch panel are engineered to reduce reflection and increase transmission of light to produce a better image.

Reduced reflected light

No image distortion



● Multimedia Hardware Device Ready

Integrated webcam on the Panel PC, including a native 300K pixel; low-light function, and 30fps at VGA, is best suited for small-to-medium sized meetings and conferences held in facilities like local government councils, hotel conference rooms, training and educational venues and company boardrooms without external device installation.

Webcam with Low-light Function



VGA CMOS Camera

- Auto white balance
- Auto exposure
- Auto compensation
- Focus range of 25 cm to Infinity
- Flip Control Option

Webcam Specifications

- VGA resolution image sensor
- Video resolution: 640x480, 352x288, 320x240, 176x144, 160x120.
- Frame rate: 640x480@ 30fps max.
- Storage Format of Image: AVI
- Storage Format of Photograph: BMP, JPEG

Picture Frame In-Wall Mount

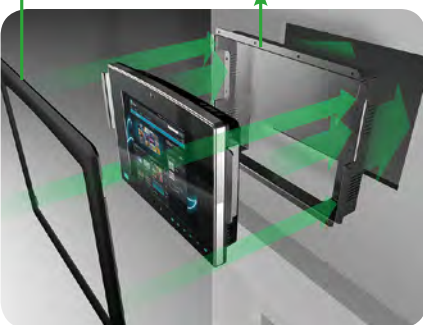
This optional kit includes a decorative front plate and wall mount enclosure to securely house the the AFL-F08A panel PC. The enclosure includes knockouts for power and I/O interface cables.



3.7mm

Decorative front plate

In-Wall Enclosure

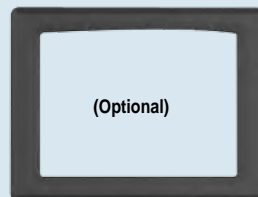


● Optional Decorative Kit:

DIM.
300mm x 230mm x 3.7mm



+



(Optional)

=





Restaurant Interactive Multi-touch Table

Applications

The AFL-F08A interactive system can be mounted in tables from which your customers can order, track and pay for their meal. The terminals can also be used to play digital games while waiting for the food to be served.



Casino Customer Relationship Management

Applications

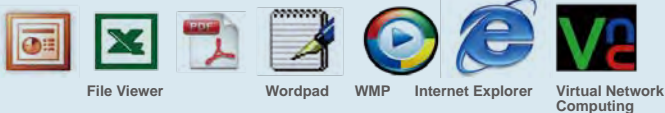
The user friendly all-in-one system will help Casino managers and dealers to identify players, calculate, and record winnings. Easy connection to peripherals such as card readers and ticket reader/printers. Convenient and reliable communication with system management and servers through LAN or Wireless LAN.



OS Ready for Applications

Windows® CE based Terminal easy for Application Development

Windows Applications



Note: OS image only support single touch

Windows® XP Embedded



Include:

- Window XPE OS image with license
- Thin Client turnkey solutions

Application Development Support

- Win32 (C/C++)
- MFC (C++)
- NET Compact Framework (C# and VB .NET)
- ATL (Active Template Library)
- COM and DCOM
- XML
- JScript 5.6

Networking

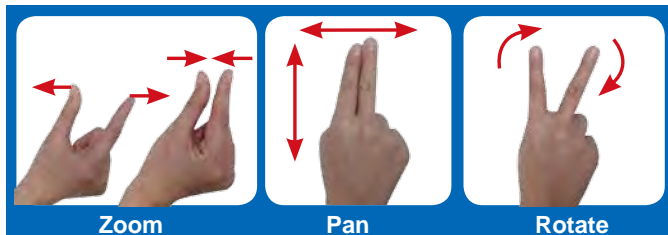
- Standard Modem Support for Dial Up
- Networking
- Network Utilities (IpConfig, Ping, Route)
- TCP/IP, TCP/IPv6
- Windows Networking API/Redirector (SMB/CIFS)
- Winsock Support
- FTP Server, Web Server (HTTPD), Telnet Server



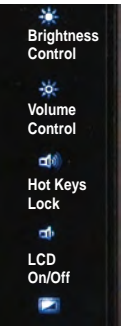
Windows® 7 Embedded

Multi-touch Scenarios:

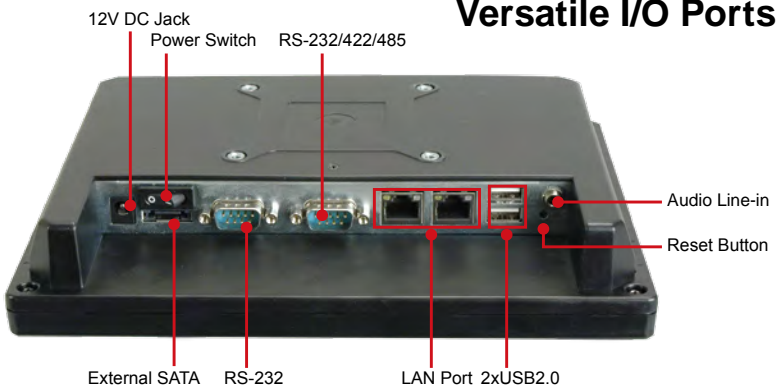
- Navigating the internet
- Reading and sorting email
- Viewing photos and video
- Playing casual games
- Navigating and arranging files, folders and windows.



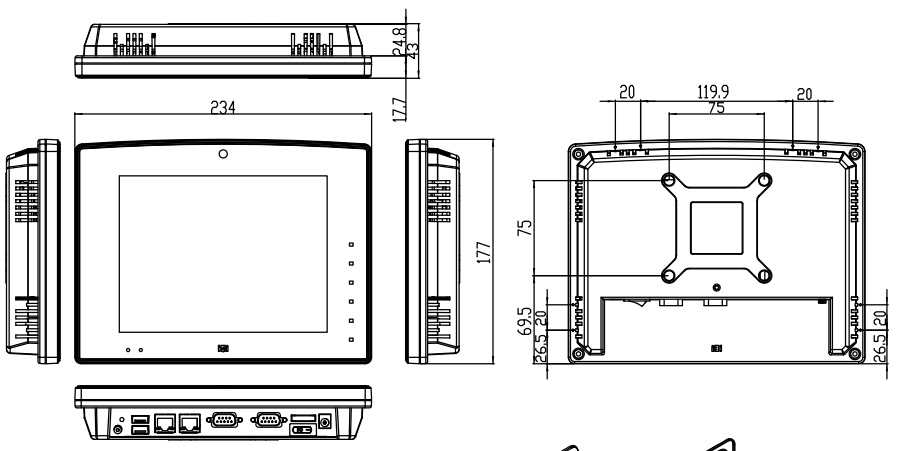
Hot Keys Controlled by Cap-Sensor



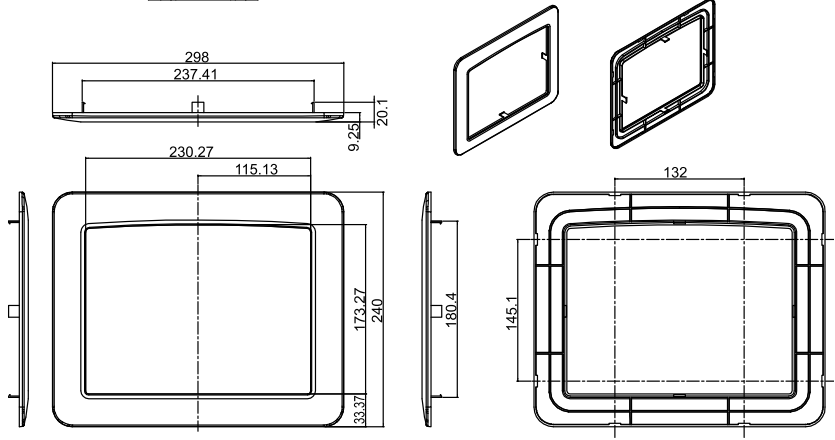
Versatile I/O Ports



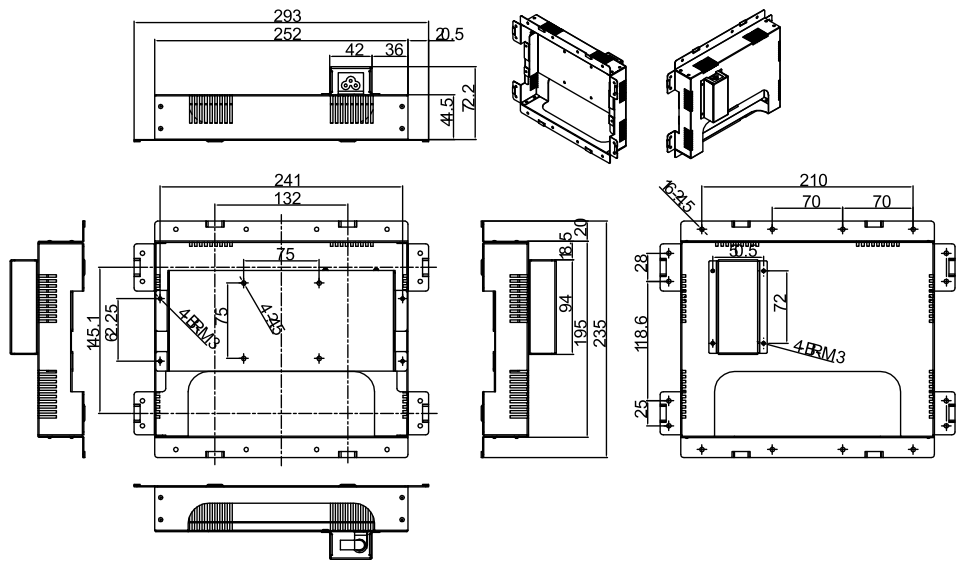
AFL-F08A Dimensions (Unit: mm)



Decoration Kit Dimensions (Unit: mm)



In-Wall Cage Dimensions (Unit: mm)



Specifications



Model	AFL-F08A-N270
LCD Size	8"
Max Resolution	800 x 600
Brightness (cd/m ²)	250
Contrast Ratio	500:1
LCD Color	262K
Pixel Pitch (mm)	0.2025(H) x 0.2025(V)
Viewing Angle (H-V)	140° / 130°
Backlight MTBF	30000 hrs (LED)
SBC Model	AFLMB-945GSE-N270-R10
CPU	Intel® Atom™ Processor N270 (512K Cache, 1.60 GHz, 533 MHz FSB)
Chipset	Intel® 945GSE + ICH7M
RAM	Supports one 400MHz or 533MHz DDR2 SO-DIMM (2GB Max.)
I/O Ports	1 x RS-232 COM Port 1 x RS-232/422/485 COM port 2 x RJ-45 for Giga LAN 2 x USB 2.0 1 x Power Switch 1 x Reset Button 1 x Audio Port (line-out) 1 x 12V DC Power Jack 1 x External SATA
SSD	CF Typell
Watchdog Timer	Software programmable supports 1~255 sec. System reset
Audio	AMP 1.5W + 1.5W (internal speaker)
Expansion	1 x Wireless Lan 802.11 b/g Module (internal Mini PCIe interface) 1 x Bluetooth V2.0 (internal USB interface) 300k pixel webcam
Front Panel Construction	ABS + PC Plastic front frame
Membrane Keypad	LCD On/Off, Brightness Up/Down, Volume High/Low by Cap-Sensor
Mounting	In-Wall, Panel, Wall, Stand and Arm VESA 75mm x 75mm
Front Panel Color	Black
Dimensions (WxHxD) (mm)	234 x 177 x 43
Operation Temperature (°C)	-10°C ~ 50°C
Storage Temperature (°C)	-20°C ~ 60°C
N/G Weight	1.8Kg
IP Level	IP64 Front Panel
Safety & EMC	CE / FCC / CB / CCC
Touch Screen	Resistive Type 5-Wire (Touch controller IC is on board) or Projective Capacitive type touch screen
Power Adapter	63000-FSP0401ADF03A822-RS 40W Power Adapter Input: 90VAC~264VAC, 50/60Hz Output: 12VDC
Power Requirement	12VDC
Power Consumption	32W

Note: WiFi 802.11 draft N is upgradable.

Ordering Information

	Part Number	Description
Resistive Touch Panel	AFL-F08A-N270/R/1G-R10	8.0" 250cd/m ² SVGA Fanless panel PC with Intel® Atom™ N270 1.6GHz CPU,1GB DDR2 RAM,802.11 b/g WiFi,touch screen,Bluetooth,300K camera,microphone,RoHS
Projected Capacitive Multi-Touch Panel	AFL-F08A-N270/PC/1G-R10	8.0" 250cd/m ² SVGA Fanless panel PC with Intel® Atom™ N270 1.6GHz CPU,1GB DDR2 RAM,802.11 b/g WiFi, Projective capacitive Multi-Touch Panel screen,Bluetooth,300K camera,microphone,RoHS

Options

Item	Model
Panel mounting kit	AFLPK-12
Wall mounting kit	AFLWK-12
Rack mounting kit	AFLRK-08
ARM	ARM-11-RS / ARM-31-RS
Stand	STAND-A08 / STAND-100-RS
VSTAND	VSTAND-A10
9~30VDC to 12VDC converter module	IDD-930160-KIT
OS: Win CE 6.0 (128 MB CF card)	AFLCF-F08-N270-CE060-R10
OS: Win XPE (1 GB CF card)	AFLCF-F08-N270-XPE-R10
OS: LINUX (2 GB CF card)	AFLCF-F08-N270-LNX-R10
Hybrid Card Reader	AFLP-08AMSI-U
Magnetic Stripe Reader	AFLP-08AMSR-U
DC 12V Input UPS	AUPS-A10-R10 (7.4V 3800mAH)
DC 9~36V Input UPS	AUPS-A20-R10 (7.4V 3800mAH)
In Wall Cage	AFLIWC-F08A-R10

Note: OS image only support single touch

Packing List

Item	Part Number	Q'ty	Specification
Screws Pack	44013-030041-RS	4	M3;5mm
Power Adpater	63000-FSP036RAB608-RS	1	90~264V AC; 12V DC; 36W
Power Cord	32000-000002-RS	1	1750mm; European Standard (EU or US, Which type of cord is shipped depends on the shipment country)
Utilities CD	7B000-000087-RS	1	
Touch Pen	XTR104-0002-RS	1	