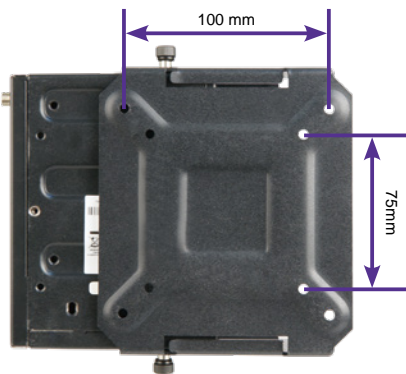


Features

- Fanless system with Intel® Celeron® N3160 processor
- Dual display
- Two RS-232/422/485
- Full-size PCIe Mini slot for expansion
- Four USB 3.2 Gen 1 (5Gb/s) ports
- Two GbE LAN ports



Smart Mounting Design



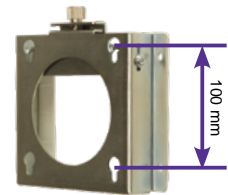
uIBX-KIT-R10



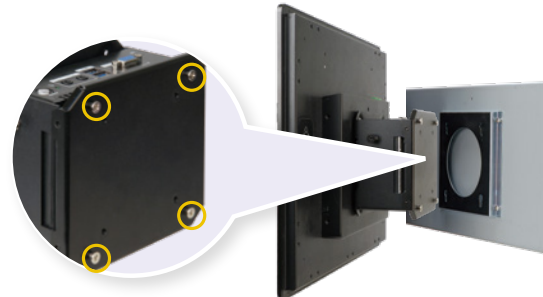
A. Wall mount



Assemble the uIBX-250 with the uIBX-KIT-R10 on the back of monitor.



AFLWK-12/AFLWK-19



The monitor with the uIBX-250 can be mounted on the wall easily and support VESA 75/100.

B. VESA mount 75/100

Step.1



Install the part A of the uIBX-KIT on the back of the monitor compliant with VESA 75/100.

Step.2



Assemble the uIBX-250 and the part B of the uIBX-KIT. Then, it can be mounted onto any devices with VESA 75/100 interface.

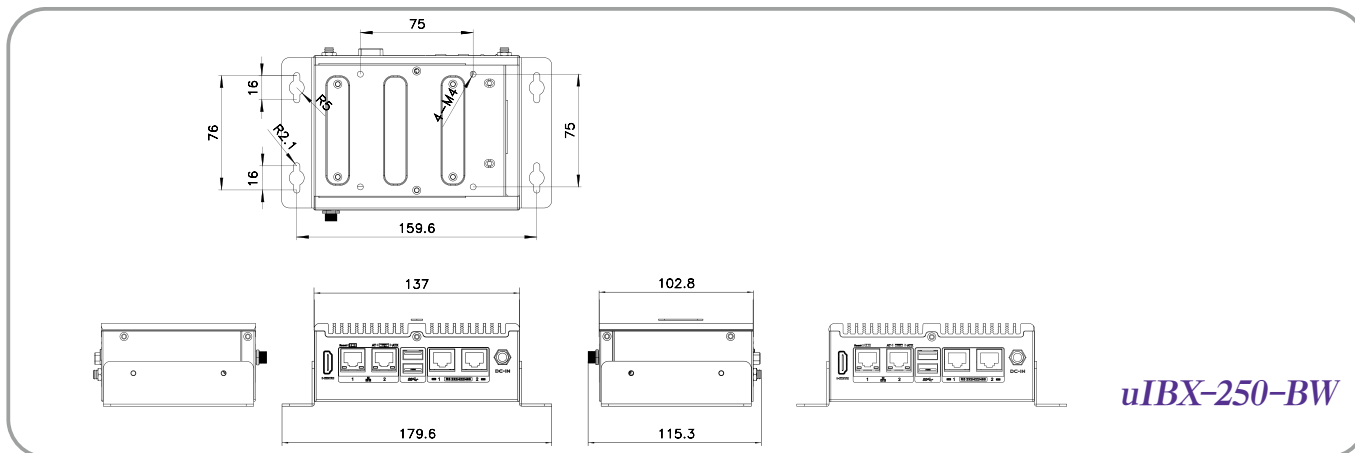


The position of the uIBX-250 could be adjusted to best fit your applications. Space can be greatly saved by mounting on the back of monitor.

Specifications

Model Name		uIBX-250-BW
Chassis	Color	Black
	Dimensions (WxDxH) (mm)	137 x 102.8 x 52
	System Fan	Fanless
	Chassis Construction	Extruded aluminum alloy
Motherboard	CPU	Intel® Celeron® N3160 1.6 GHz (up to 2.24 GHz, quad-core, TDP 6W)
	Chipset	SoC
	System Memory	1 x 204-pin DDR3L SO-DIMM slot (2 GB pre-installed, system max: 8GB)
Storage	Hard Drive	1 x 2.5" SATA 6Gb/s HDD/SSD bay
I/O Interfaces	USB	4 x USB 3.2 Gen1
	Ethernet	2 x RJ-45: 2 x GbE by Intel® I211
	COM Port	2 x RS232/422/485 with AFC (RJ-45)
	Display	1 x HDMI (up to 3840 x 2160@30Hz) 1 x VGA (up to 1920 x 1080@60Hz)
	Audio	1 x Line-out, 1 x Line-in
	Wireless	1 x 802.11a/b/g/n/ac (optional)
	Other	1 x Power Button, 1 x Reset Button, 1 x AT/ATX Switch, 1 x LED for HDD (Green)
Expansions	PCIe Mini	1 x Full-size (PCIe/USB 2.0/SATA)
Power	Power Input	DC Jack: 12V DC
	Power Consumption	12V @ 2A (Intel® Celeron® N3160 with 2GB memory)
Reliability	Mounting	Wall-mount/ VESA 75
	Operating Temperature	-20°C ~ 60°C with air flow (SSD), 10% ~ 95% non-condensing
	Storage Temperature	-20°C ~ 80°C with air flow (SSD), 10% ~ 90% non-condensing
	Operating Shock	Half-sine wave shock 5G, 11ms, 100 shocks per axis (SSD)
	Operating Vibration	MIL-STD-810G 514.6C-1 (SSD)
	Weight (Net/Gross)	470g/ 1.4kg
	Safety/EMC	CE/ FCC
	Watchdog Timer	Programmable 1 ~ 255 sec/min
OS	Supported OS	Microsoft® Windows 8, Microsoft® Embedded Standard 7 E

Dimensions (Unit: mm)



Ordering Information

Part No.	Description
uIBX-250-BW-N3/2G-R21	Fanless embedded system with Intel® Celeron® N3160 1.6 GHz (up to 2.24 GHz, quad core, TDP 6 W), 2 GB DDR3L pre-installed memory, 12V DC, with RS-232/422/485, USB 3.2 Gen 1 (5Gb/s), VGA/HDMI, dual Intel® PCIe GbE, RoHS

Options

Part No.	Description
EMB-WIFI-KIT01-R20	1T1R Wi-Fi module kit for embedded system, IEEE802.11a/b/g/n/ac WiFi with Bluetooth 4.0/3.0+HS, 1 x Wi-Fi module, 2 x 250mm RF cable, 2 x Antenna, RoHS
DK-75-R10	VESA 75 to DIN-Rail mounting kit
uIBX-KIT-R10	uIBX smart mounting kit for monitor and stand
uIBX-250-BW-WES7E64-R10	OS image with Windows® Embedded Standard 7 E 64-bit for uIBX-250, DVD-ROM, RoHS

Packing List

1 x Power Adapter	1 x Mounting Bracket	2 x RS-232/422/485 Round Cable
-------------------	----------------------	--------------------------------