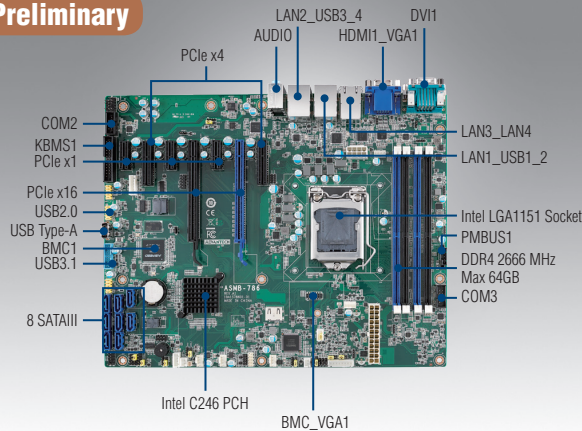


ASMB-786

LGA 1151 Intel® Xeon® E & 8th Generation Core™ ATX Server Board with 4 DDR4, 7 PCIe, 6 USB 3.1, 8 SATA3, Quad/Dual LANs, IPMI

Preliminary



Features

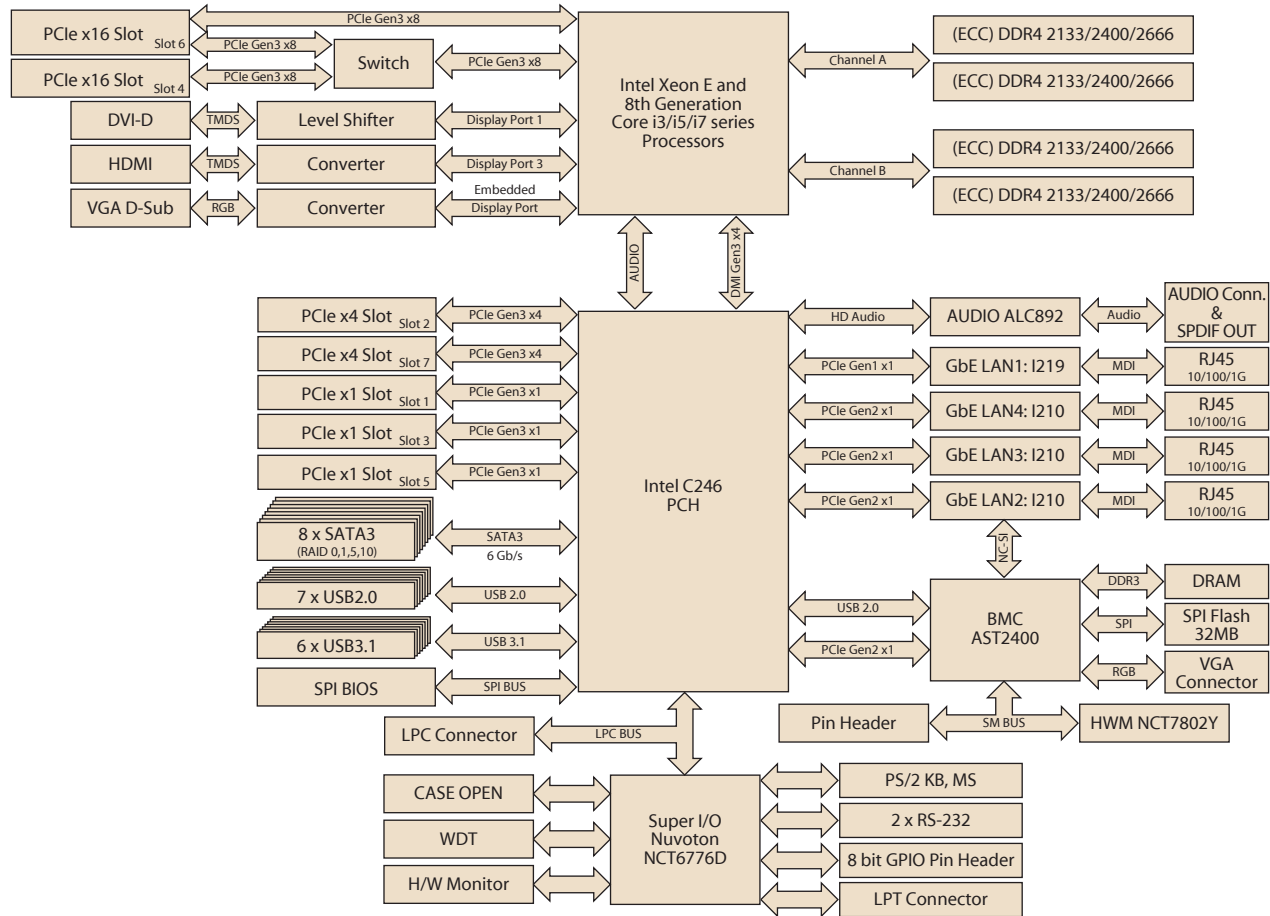
- Supports LGA 1151 Intel® Xeon® E & 8th Generation Core™ i7/i5/i3 processors
- DDR4 2666/2400/2133 MHz ECC/Non-ECC UDIMM up to 64 GB
- One Gen 3.0 PCIe x16 link (or two PCIe x16 slots with x8 link), two PCIe x4, and three PCIe x1 slots
- Triple displays - DVI-D, VGA and HDMI 2.0 ports
- Eight SATA3 ports and six USB 3.1 ports
- Rackmount optimized placement with positive air flow design
- 0 ~ 60° C ambient operating temperature range

CE FCC

Specifications

Form Factor	ATX form factor					
Processor System	Socket	Intel LGA 1151				
	CPU type	Intel® Xeon® E and 8th Generation Core™ i3/i5/i7 series (TDP up to 95W)				
Core Logic	Chipset	Intel C246 chipset				
	Total slots	4 (Dual Channel)				
Memory	Max. capacity	64 GB				
	Memory type	DDR4 ECC/Non-ECC 2666/2400/2133 MHz UDIMM (288-pin)				
	Memory size	4 GB, 8 GB, 16 GB				
	Total PCI/PCI-X/PCIe slots	7				
Expansion Slots	Slot location 1	PCIe x1				
	Slot location 2	PCIe x4 slot (Gen3 x4 link)				
	Slot location 3	PCIe x1				
	Slot location 4	PCIe x16 slot (Gen3 x8 link)				
	Slot location 5	PCIe x1				
	Slot location 6	PCIe x16 slot (Gen3 x8 or x16 link)				
	Slot location 7	PCIe x4 slot (Gen3 x4 link)				
Graphics	Controller	Intel HD Graphics				
	VRAM	1 GB maximum shared memory with 2 GB and above system memory installed				
Storage	SATA controller	Intel C246: 8 SATA3 6 Gb/s ports with Intel Matrix Storage support (for Windows only) (Supports software RAID 0, 1, 10 & 5)				
	SAS controller	-				
Networking	Interface	10/100/1000 Mbps				
	Controller	GbE LAN1: Intel I219; GbE LAN 2-4: Intel I210-AT				
	Connector	RJ-45 x 2 for G2 version; RJ-45 x 4 for G4 version				
Onboard I/O Connector	Printer Port connector	1				
	PSU connector	24-pin SSI power connector + 8-pin SSI 12V power connector				
	USB connector	1 USB 3.1 Gen 1 (2 ports), 3 USB 2.0 (6 ports), 1 USB Type-A				
	Fan header	5 (4-pin)				
	SMBus	1				
	Chassis intruder	1				
	Front LAN LED	2				
	Serial port header	2				
	Audio connector	1 (ALC 892)				
	PS/2 KB/Mouse	1				
Rear I/O Connector	External serial port	- (optional, via onboard header)				
	External USB port	4 (USB 3.1 Gen 2)				
	VGA port	1				
	DVI port	1				
	HDMI port	1				
	RJ-45	2 for G2 version; 4 for G4 version				
	Audio connector	2 (Mic-in, Line-out)				
	PS/2 KB/Mouse	-				
Watchdog Timer	Output	System reset				
	Interval	Programmable 1 ~ 255 sec				
Power Requirement	Power On	3.3 V	5 V	12 V	12V_8P	5 Vsb -12 V
	(Xeon E-2176G 3.7GHz DDR4 2400 4G*4)	3.44A	2.61A	1.04A	6.3A	0.09A -0.02A
Environment	Operating Temperature	0 ~ 60° C (32 ~ 140° F)				Non-operating
	Humidity	Depends on CPU speed and cooler solution				-40 ~ 85° C (-40 ~ 185° F)
	Humidity	10 ~ 90%				10 ~ 95% (Non-condensing)
Physical Characteristics	Dimensions	304.8 x 244 mm (12" x 9.6")				

Block Diagram



Ordering Information

Part Number	Chipset	Memory	LAN	SATAIII	IPMI
ASMB-786G2-00A1	C246	DDR4 Non-ECC/ECC UDIMM	2	8	-
ASMB-786G4-00A1	C246	DDR4 Non-ECC/ECC UDIMM	4	8	Y

Packing List

Part Number	Description	Quantity
2001S78610	Startup manual	x 1
1700003194	SATA data cables	x 1
1700019381	SATA data cable (right angle)	x 1
1700022749-11	SATA power cables	x 2
1960088021T001	I/O shield	x 1

Optional Accessories

Part Number	Description
1700002204	Dual port USB 2.0 cable (27 cm) with bracket
1700008461	Four port USB 2.0 cable (30.5 cm) with bracket
1960052651N021	LGA 1151/1150/1155 CPU cooler for 2U/4U and wallmount chassis (TDP up to 95W)
1960049408N001	LGA 1151/1150/1155 CPU heatsink for 1U chassis (TDP up to 95W)
(TBD)	1U I/O shield
1700008809	Printer port cable kit (25 cm)
1700020294-01	Printer port cable kit (42 cm)
1701090401	Single port RS-232 cable with bracket (40 cm)
1700020277-01	Dual port USB 3.0 cable with bracket (30 cm)
1700019268-11	Cable for onboard KBMS1 connector (35cm)
1960063434N000	Cable bracket for 1700019268-11
(TBD)	BMC VGA cable
PCA-COM232-00A1E	4 ports RS-232 module to LPC connector
PCA-COM485-00A1E	4 ports RS-485 module to LPC connector
PCA-TPM-00B1E	TPM 2.0 Module by LPC

I/O View



ASMB-786G4-00A1



ASMB-786G2-00A1