

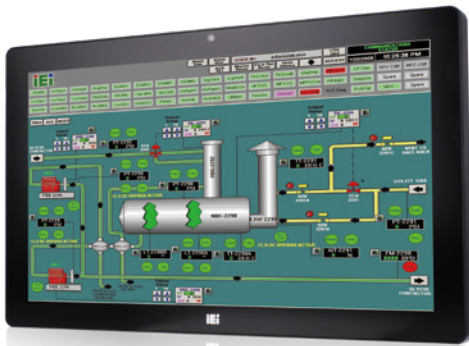
# AFL3-W19C-ULT3

Intel® Core™ i5 and Celeron® ULT Processor

# AFL3-W19A-AL

Intel® Celeron® / Atom™ Apollo Lake Processor

**NEW**



## Features

- 18.5" light industrial interactive panel PC
- Wide range DC power input
- Selectable AT/ATX power mode
- Built-in speakers
- One mSATA slot
- IP64 compliant front panel
- IEI One Key Recovery solution allows you to create rapid OS backup and recovery (suggested with over 4GB storage capacity)



## Specifications

| Model                 |  | AFL3-W19C-ULT3   | AFL3-W19A-AL  |
|-----------------------|--|--|---|
| LCD                   | Size   | 18.5"  | 18.5"   |
|                       | Resolution   | 1366 x 768 (16:9)  | 1366 x 768 (16:9)   |
|                       | Brightness (cd/m <sup>2</sup> )  | 250  | 250   |
|                       | Contrast Ratio   | 1000:1   | 1000:1  |
|                       | LCD Color  | 16.7M  | 262K  |
|                       | Pixel Pitch (mm)   | 0.240 (H) x 0.240 (V)  | 0.240 (H) x 0.240 (V)   |
|                       | Viewing Angle (H-V)  | 170°/160°  | 170°/160°   |
|                       | Backlight MTBF(hrs)  | 30,000 (LED backlight panel)   | 30,000 (LED backlight panel)  |
| Touch                 | Touch Screen   | Projected capacitive type with USB interface   | Projected capacitive type with USB interface (anti-UV)                                      |
|                       | Touch Controller   | EETI EXC3180   | EETI EXC3188  |
| Motherboard           | CPU  | Intel® Core™ i5 and Celeron® ULT Processor   | Intel® Celeron® J3455 (quad core, 1.5GHz up to 2.3 GHz)                                     |
|                       | RAM  | Two 260-pin 2133/1867 MHz dual-channel DDR4 SO-DIMMs (system max. 32 GB)   | One 204-pin 1600/1333 MHz single-channel DDR3L SO-DIMM, 4GB pre-installed (system max. 8GB) |
|                       | Ethernet   | 2 x Intel® I211-AT PCIe GbE controller   | 2 x PCIe GbE by Intel® i211 controller  |
|                       | Audio Codec  | ALC892   | ALC269  |
| Storage               | (1) 1 x 2.5" SATA 3Gb/s HDD bay<br>(2) 1 x M.2 M key PCIe storage (2280 or 22110)<br>(3) 1 x mSATA slot  | (1) 1 x 2.5" SATA 3Gb/s HDD bay<br>(2) 1 x mSATA slot  |   |
| I/O Ports & Switch    | 1 x RS-232 by DB-9 (RI/5V/12V)<br>1 x RS-232/422/485 by DB-9 (RI/5V/12V)<br>2 x GbE LAN<br>4 x USB 3.0<br>1 x HDMI output<br>1 x Power switch<br>1 x Reset button<br>1 x AT/ATX switch<br>1 x 9V ~ 30V lockable power jack | 1 x RS-232/422/485 by RJ-45<br>1 x RS-232 by RJ-45<br>2 x GbE LAN<br>2 x USB 3.0<br>2 x USB 2.0<br>1 x HDMI output<br>1 x 12V ~ 34V DC Jack<br>1 x Power switch<br>1 x AT/ATX switch<br>1 x Line out |   |
| Audio                 | AMP 3W + 3W (internal speaker)   |  |   |
| Camera and Microphone | 2-megapixel with low light function, digital microphone  | 2-megapixel with low light function, digital microphone  |   |
| Wireless & Bluetooth  | IEEE 802.11a/b/g/n/ac, Bluetooth v4.0 (M.2 slot)   | IEEE 802.11a/b/g/n/ac, Bluetooth v4.0 (M.2 slot)   |   |
| OSD Function          | Software OSD   |  |   |
| Physical              | Front Panel Construction   | PC + ABS Plastic   | PC + ABS Plastic  |
|                       | Mounting   | Panel, Wall, Stand and Arm<br>VESA 75mm x 75mm / 100mm x 100mm   | Panel, Wall, Stand and Arm VESA 100mm x 100mm   |
|                       | Color  | Black C  | Black C   |
|                       | Dimensions (W x H x D) (mm)  | 470 x 290 x 70   | 470 x 280 x 60  |
|                       | Cut-out Dimensions (W x H) (mm)  | 443 x 261  | 418 x 230   |
|                       | Net/Gross Weight (kgs)   | 7.3/10   | 6.3/9   |
| Environment           | Operating Temperature (Ambient with air flow)  | -20°C ~ 50°C   | -15°C ~ 50°C  |
|                       | Storage Temperature  | -20°C ~ 60°C   |   |
|                       | Humidity   | 10% to 95% (non-condensing)  |   |
|                       | IP Level   | IP 64 compliant front panel  |   |
|                       | Safety & EMC   | CE / FCC   |   |
|                       | Thermal Solution   | Fanless  |   |
| Power                 | Power Requirement  | 9V ~ 30V DC  | 12V ~ 34V DC  |
|                       | Power Consumption  | 12V@7.1A (Intel® Core™ i5-6300U CPU with 4GB DDR4 2133 MHz DDR4 memory)  | 12V@3.2A (Intel® Celeron J3455 CPU with 4GB DDR3L 1866 MHz DDR3L memory)                    |

## Ordering Information

| Part No.                    | Description  |
|-----------------------------|--|
| AFL3-W19C-ULT3-C/PC/4G-R10  | Wide 18.5" 250 cd/m <sup>2</sup> 1366 x 768 Panel PC with Intel® 14nm 6th Generation Mobile Celeron® 3955U (15W) on-board Processor (ULT), 1*4GB DDR4 RAM, 802.11a/b/g/n/ac WiFi module, PCAP touch, 2 M camera, microphone, R10 |
| AFL3-W19C-ULT3-i5/PC/4G-R10 | Wide 18.5" 250 cd/m <sup>2</sup> 1366 x 768 Panel PC with Intel® 14nm 6th Generation Mobile Core™ i5-6300U (15W) on-board Processor (ULT), 1*4GB DDR4 RAM, 802.11a/b/g/n/ac WiFi module, PCAP touch, 2 M camera, microphone, R10 |
| AFL3-W19A-AL-J2/PC/4G-R10   | Wide 18.5" 250 cd/m <sup>2</sup> 1366 x 768 Panel PC with Intel® Celeron® Processor J3455 (10W) on-board Processor (Apollo lake), 1*4GB DDR4 RAM, 802.11a/b/g/n/ac WiFi module, PCAP touch, 2 M camera, microphone, R10          |

## Options

| Item   | AFL3-W19C-ULT3  | AFL3-W19A-AL              |
|--|---|---------------------------|
| Panel Mounting Kit   | AFL3PK-W19C-R10   |                           |
| Wall Mounting Kit  | AFLWK-19B   |                           |
| Arm  | ARM-11-RS/ARM-31-RS                                     |                           |
| Stand  | STAND-A21-R10/ STAND-210-R11/STAND-A19-RS/STAND-C19-R10 |                           |
| Magnetic Card Reader   | AFL3P-W10MSR-U-R10                                      |                           |
| Barcode Scanner  | AFL3-2D-R11   |                           |
| RFID Reader<br>(13.56 MHz Mifare Type)<br>(For ATO assembly) | AFL3-MF-RFID-KIT02-R10                                  |                           |
| *OS: Win 7 Embedded (64-bit)                                 | AFL3-W15C-ULT3-WES7P64-R10                              | N/A                       |
| *OS: Win 10 IOT Enterprise (64-bit)                          | AFL3-W15C-ULT3-W10E64-V-R10                             | AFL3-W19A-AL-W10E64-E-R10 |

\*OS image with CD-ROM without storage

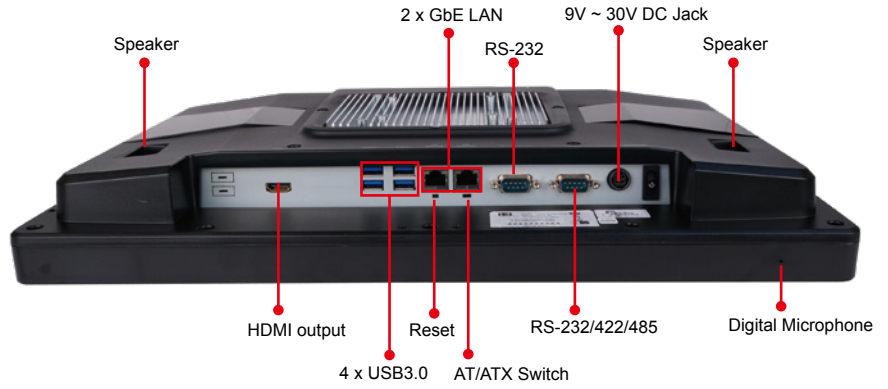
## E-Window (for ATO assembly)

| Part No.               | Description   |
|------------------------|---|
| E-MPCIE-LAN02-R10      | PCIe Mini card supports 1-port GbE with Realtek RTL8111E controller, with PMS 194C I/O bracket and 340 mm cable, R10          |
| E-MPCIE-CClink02-R10   | PCIe Mini card supports CC-Link Slave interface according to V2.0 and V1.1, with PMS black C I/O bracket and 300mm cable, R10 |
| E-MPCIE-PROFIBUS02-R10 | PCIe Mini card supports universal PROFIBUS DP card for Master or Slave, with PMS black C I/O bracket and 300mm cable, R10     |
| E-MPCIE-EtherCAT-R10   | PCIe Mini card supports universal for all Real-Time Ethernet protocols, with PMS black C I/O bracket and 280mm cable, R10     |
| E-MPCIE-3G-R10         | PCIe Mini card supports 3G WWAN, with PMS 130C I/O bracket, RF antenna 300mm cable and GSM antenna cable, R10                 |

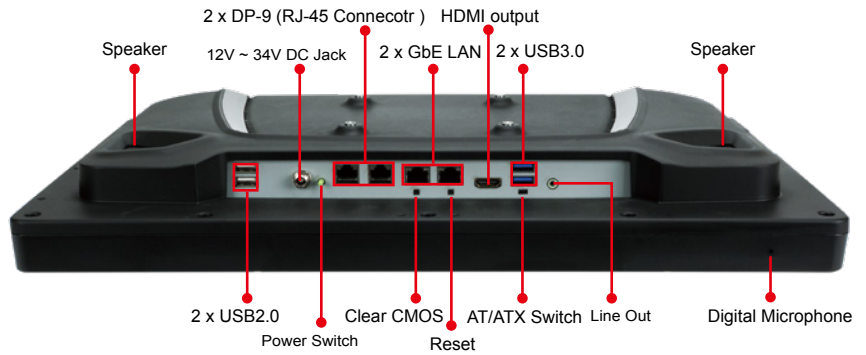
## Packing List

| Item                                  | Part No.   | Q'ty | Description  |
|---------------------------------------|--|------|--|
| Round head machine screw              | 44403-040061-RS  | 4    | M2*4 round head machine screw  |
| Pan head machine screw                | 44003-030052-RS  | 4    | M4*6 pan head machine screw  |
| Power cord                            | 32702-000200-100-RS  | 1    |  |
| Power adapter                         | 63040-010096-100-RS (AFL3-W19C-ULT3)<br>63040-010060-120-RS (AFL3-W19A-AL) | 1    | 96W; Vin: 90V~264V AC; Vout: 12VDC<br>60W; Vin: 90V~264V AC; Vout: 12VDC |
| RJ-45 to DB-9 COM port transfer cable | 32005-004600-100-RS (AFL3-W19A-AL)   | 1    | 300mm, 26AWG,<br>(A) D-SUB 9 male, (B) RJ-45                             |

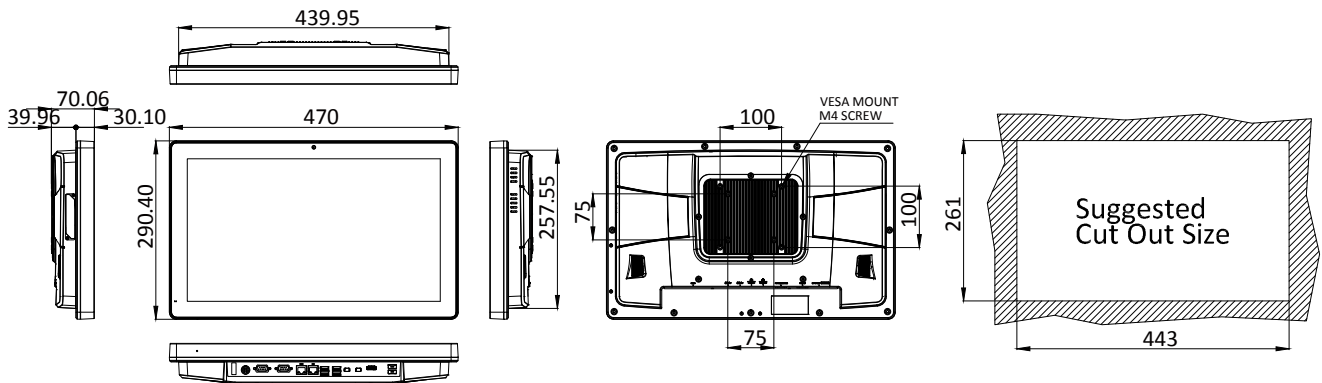
**AFL3-W19C-ULT3**  
Fully Integrated I/O



**AFL3-W19A-AL**  
Fully Integrated I/O



**AFL3-W19C-ULT3 Dimensions (Unit: mm)**



**AFL3-W19A-AL Dimensions (Unit: mm)**

