

# W27L100-MLA3FG

27" 4K2K UHD Defence Display



## KEY FEATURES

- 27" Display with 4K2K UHD Protective Glass Rack Mount Defence Display (3840 x 2160) native resolution
- Compliant MIL-STD 810G/ MIL-STD 461E
- Rack mount mechanical design, supports VESA mount
- AR protection glass
- Defence-grade power connector (MIL-DTL-38999/1)
- AC 100~240V, Universal,  $\pm 10\%$ ; DC 9~36V,  $\pm 10\%$  (Optional)
- Convenient on-screen display controls

## INTRODUCTION

Winmate 4K2K Defence Display Series delivers exceptional visual clarity with UHD 3840 x 2160 resolution across sizes ranging from 15.6" to 55". Designed for mission-critical applications, these displays meet MIL-STD 810G and MIL-STD 461E standards, ensuring durability and reliability in defense environments. Key features include a PCAP multi-touch screen, AR protection glass (optional), rack mount design with VESA compatibility, and a defense-grade power connector (MIL-DTL-38999/1). Ideal for secure command centers and tactical operation

## SPECIFICATIONS

### Display

Resolution	3840x2160	Size	27.0 inches
Contrast Ratio	1000:1	Panel Brightness	400.0 nits
Display Color	1.07B Colors	View Angles	89,89,89,89
Active Area	596.16x335.34 mm	Touch / Glass	AR Glass Projected Capacitive Multi Touch Screen (Optional)

### Certification

Certification	CE, FCC
---------------	---------

### Environment

Operating Humidity	10% to 95% RH	Operating Temperature	0~50°C
Storage Temperature	-10°C~60°C	TEMPEST	USA: NSA NSTISSAM TEMPEST/1-92 (optional) NATO: NATO SDIP-27 (optional)

### Compliance

MIL-STD 461G	USA MILSTD461G CE101, CE102, RE101, RE102, CS118 (Default) MILSTD461G CS101, CS106, CS109, CS114, CS115, CS116, RS101, RS103 (Optional)	MIL-STD 810H	USA: MIL-STD-810H (default): Vibration Method 514.6 Humidity Method 507.6 Transit Drop Method 516.6
	NATO STANAG 4370/AECTP501 NCE01, NCE02, NRE01, NRE02, NCS12 (Default) STANAG 4370/AECTP501 NCS01, NCS07, NCS08, NCS09, NRS01, NRS02 (Optional)		NATO (optional): Vibration Test STANAG 4370/AECTP-401 Shock STANAG 4370/AECTP-402 Procedure I Drop and Topple Test STANAG 4370/AECTP-404

### IO Ports

<b>Serial Port</b>	1 x RS232 for Remote Control (Optional)	<b>Video</b>	1 x VGA 1 x DVI 1 x Display Port 1.2 2 x HDMI 2.0 (Optional)
<b>Audio</b>	1 x Audio Line In (Optional)		

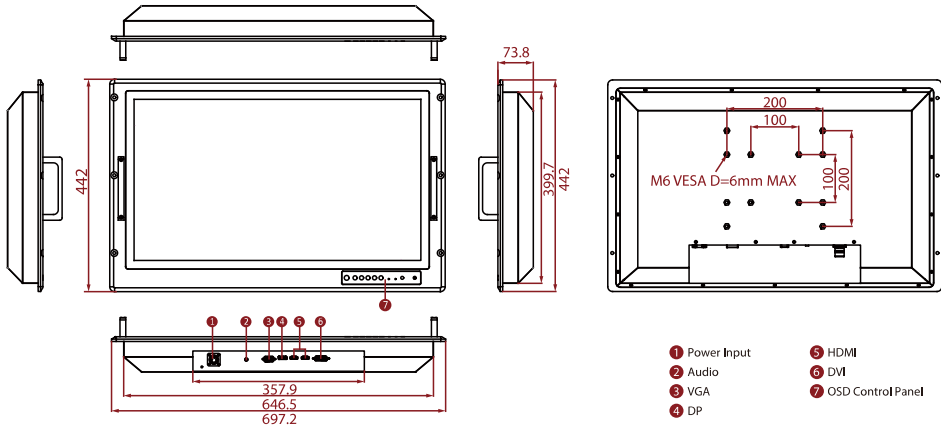
<b>Mechanical</b>			
<b>Dimension</b>	697.2 x 442 x 73.9 mm	<b>Mounting</b>	VESA mount/Rack mount
<b>Enclosure</b>	Metal	<b>Cooling System</b>	Fanless Design

<b>Accessory</b>			
<b>Accessory</b>	1 x User Manual(Hardcopy) 1 x Power Cord MILDTL38999/1 1 x VGA Cable 1 x DVI Cable 2 x HDMI Cable 1 x DP Cable	<b>Optional Accessory</b>	1 x Audio cable

<b>Power</b>			
<b>Power Rating</b>	AC 100~240V, Universal, ±10% DC 9~36V, ±10% (Optional)		

<b>Control</b>			
<b>Button</b>	1 x "Power" key to power on the device. 1 x "+" key to increase screen brightness. 1 x "-" key to decrease screen brightness. 1 x "Menu" key can Automatically or manually adjusts brightness of the display screen 1 x Day / Night Mode button 1 x LED indicator brightness adjustment button 1 x Ambient Light sensor		

**DIMENSIONS** UNIT:MM



**NOTE**

1. This is a simplified drawing and some components are not marked in detail.
2. If you require an external test report, Winmate will charge an NRE fee.
3. Please contact our sales representative if you need further product information.
4. All specifications are subject to change without prior notice.
5. The product shown in this datasheet is a standard model. For diagrams that contain customized or optional I/O, please contact the Winmate Sales Team for more information.