

# W32IT3S-MLA3FP

## 32" Intel® Core™ i5-1135G7 Defence Console Rack Panel PC

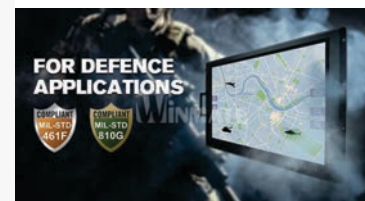


### KEY FEATURES

- Intel® Core™ i5-1135G7 2.4 GHz (turbo to 4.2GHz) Processor
- Anti-Corrosion Housing / Fanless
- Projective Touch
- Compliant with MIL-STD-810G/F , MIL-STD-461E/F
- Flush Rack / Rack Mount Mechanical Design (8U)
- Convenient On-Screen Display Controls
- AC 110~240 V Power input default
- Isolation DC 9~36 V Power input (Optional)
- Built-in Light Sensor for auto brightness control



### OVERVIEW



#### Reliable Computing Tailored for Defence Applications

To meet the defence and defense regulatory requirements, all Winmate's Defence Console Rack Panel PCs are built and tested according to MIL-STD-810G environmental and MIL-STD 461F EMC standards. Winmate performs in-house reliability tests to ensure optimal performance in harsh defence environments.



#### Command Center Focused Design

Increase the efficiency of the command center and control room personnel. Built your ergonomic command console that complies with defence and defense precise needs with Defence Console Rack Panel PCs that feature rack mount mechanical design (8U).



#### Defence & Grade Connectors for Compatibility with Existing Defence Systems

The Defence Console Rack Panel PCs come with a MIL-DTL-38999 type I power input connector. For selected models, MIL-DTL-38999 type III input/ output connectors & high-performance cylindrical connector for cable-to-panel applications in the defence, air traffic control, or other mission-critical situations. Compatible with existing defence systems.



#### Ultimate Touch Experience and Convenient On-Screen User Controls

The Defence Console Rack Panel PCs feature a user-friendly touchscreen and physical OSD buttons for fast access to the central control located on the front panel.



#### Auto Brightness Control with Built-in Light Sensor

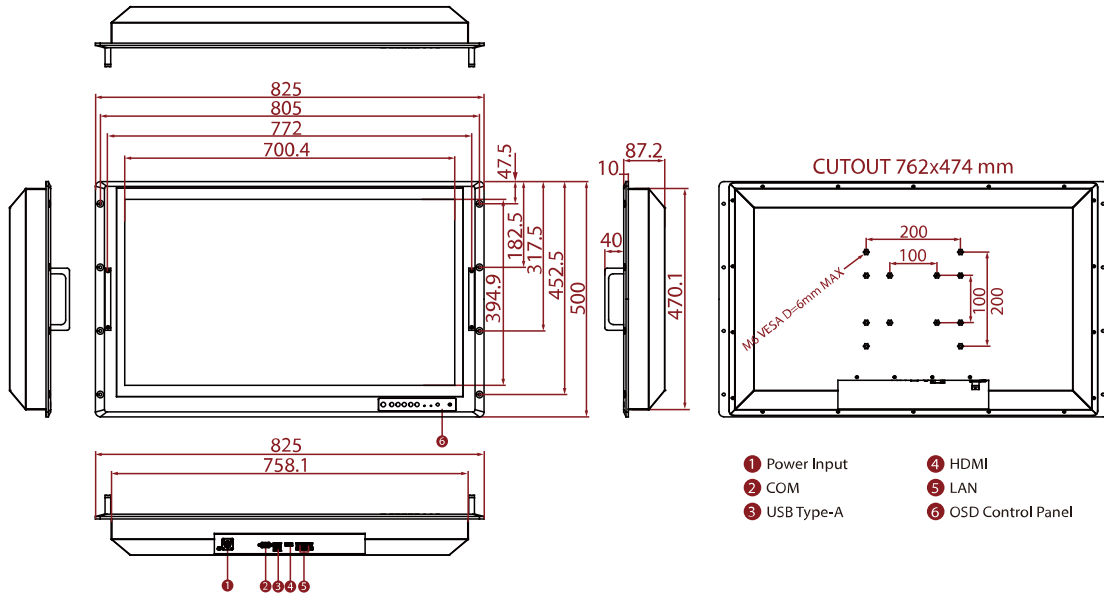
The Defence Console Rack Panel PCs feature a built-in light sensor for auto-brightness control. The screen brightness effortlessly changes with the lighting conditions throughout the day.

### SPECIFICATIONS

Display			
Resolution	1920x1080	Size	32.0 inches
Contrast Ratio	4000:1	Panel Brightness	400.0 nits

<b>View Angles</b>	89,89,89,89	<b>Active Area</b>	698.4x392.85 mm
<b>Touch / Glass</b>	Projected Capacitive Multi Touch Screen		
<b>System Specification</b>			
<b>Processor</b>	Intel Core i5-1135G7 2.4GHz (up to 4.2GHz) Intel Core i5-1145G7 2.6GHz (up to 4.4GHz) (Optional)	<b>Memory</b>	1 x SO-DIMM, DDR4 3200 MHz, 4GB 8GB (Optional) 16GB (Optional) 32GB (Optional)
<b>Storage</b>	1 x M.2 M-Key 2242 SATA SSD or 1 x M.2 M-Key 2280 NVMe SSD 128GB 256GB (Optional) 512GB (Optional) 1TB(for NVMe) (Optional) 2TB(for NVMe) (Optional) 4TB(for NVMe) (Optional) 1 x SATA III , up to 2TB (Optional)	<b>Ethernet controller</b>	2 x Intel® Ethernet Controller
<b>Security</b>	TPM 2.0	<b>Operating System</b>	Windows 11 IoT Enterprise SAC (64 bit) (Optional) Windows 10 IoT Enterprise (64 bit) (Optional) Linux Ubuntu 22.04 (Optional)
<b>Environment</b>			
<b>Operating Humidity</b>	10% to 95% RH	<b>Operating Temperature</b>	0~50°C
<b>Storage Temperature</b>	-10°C~60°C		
<b>Compliance</b>			
<b>MIL-STD 461E/F/G</b>	RE101 / RE102 CE101 / CE102 CS118 with EMI Glass / Touch(Optional) RS101 / RS 103 CS101 / CS 106 / CS 109 / CS 114 / CS 115 / CS 116	<b>MIL-STD 810G/H</b>	Vibration Method 514.6 Humidity Method 507.5 Transit Drop Method516.6
<b>Certification</b>			
<b>Certification</b>	CE, FCC		
<b>IO Ports</b>			
<b>USB Port</b>	2 x USB 3.2 Gen 1	<b>Serial Port</b>	1 x RS232(Default)/422/485
<b>Video</b>	1 x HDMI (Optional)	<b>LAN</b>	2 x RJ-45
<b>Mechanical</b>			
<b>Dimension</b>	825 x 500 x 87.2 mm	<b>Mounting</b>	VESA Mount/ Rack Mount
<b>Enclosure</b>	Metal Housing with Aluminum Bezel	<b>Cooling System</b>	Fanless Design
<b>Accessory</b>			
<b>Accessory</b>	1 x Manual(Hardcopy) 1 x Driver CD 1 x Power Cord (MIL-DTL-38999/1)		
<b>Power</b>			
<b>Power Rating</b>	AC 100~240V, Universal, ±10% DC 9~36V, ±10% (Optional)		
<b>Control</b>			
<b>Button</b>	8 Key OSD Control Pad: Power, Brightness DOWN, Brightness UP, Night, Day, Auto / Manual, Reset, Lock		

**DIMENSIONS** UNIT:MM



**NOTE**

1. This is a simplified drawing and some components are not marked in detail.
2. Please contact our sales representative if you need further product information.
3. All specifications are subject to change without prior notice.
4. The product shown in this datasheet is a standard model. For diagrams that contain customized or optional I/O, please contact the Winmate Sales Team for more information.