

M.2 (P80) 4IE3 series



Diagram(ST)

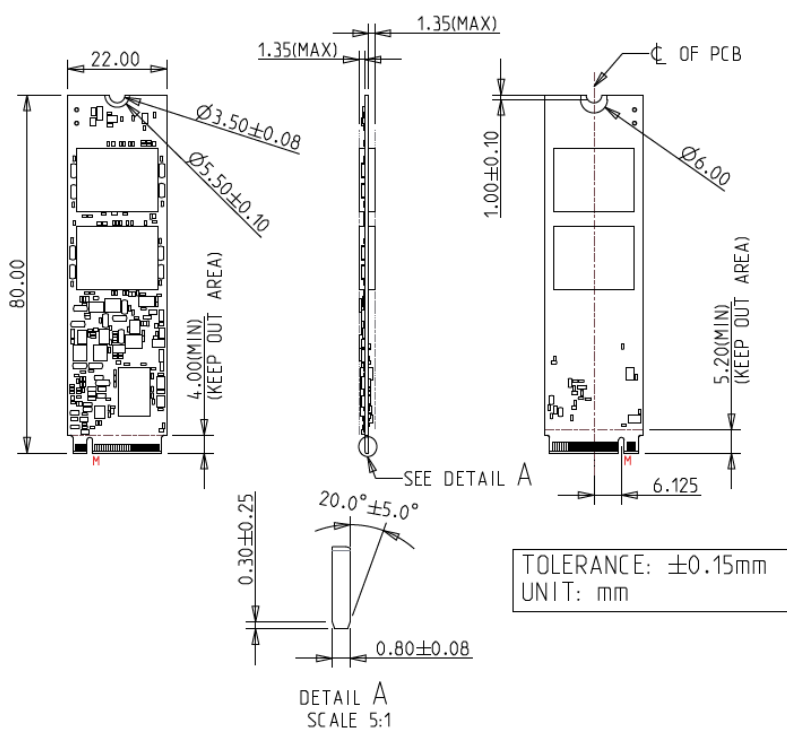
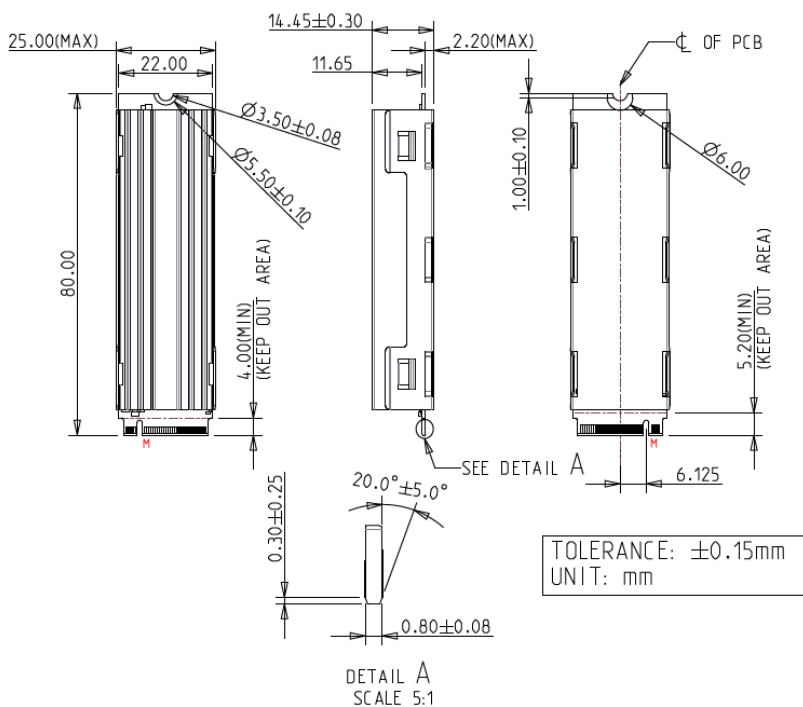


Diagram (WT)



Specifications

Interface	PCIe Gen4 x4
Flash Type	ISLC (3D TLC)
P/E cycle	100,000
Capacity	40GB~640GB
Max. Channels	4
Sequential R/W (MB/sec. max.)	3,500/3,200
Max. Power Consumption	4.8W
Thermal Sensor	√
External DRAM buffer	NA
H/W Write Protect	√ (Optional)
AES	√
TCG OPAL	√ (Optional)
Dimension (WxLxH)	WT with heatsink: 25.0 X 80.0 X 14.45 mm (Pure M.2: 22.0 X 80.0 X 3.5 mm)
Environment	Vibration: 20G @7~2000Hz Shock: 1500G @ 0.5ms Storage Temperature: -40°C ~ +85°C MTBF: 3 million hours

Ordering Information

Operation Temp.	40GB	80GB	160GB	320GB	640GB
Standard Grade (0°C ~ +70°C)	DHM28-40GDH1KCADL(W)	DHM28-80GDH1KCAQL(W)	DHM28-A60DH1KCAQL(W)	DHM28-D2GDH1KCAQL(W)	DHM28-F4GDH1KCAQL(W)
Industrial Grade (-40°C ~ +85°C)	DHM28-40GDH1KWADL(W)H	DHM28-80GDH1KWAQL(W)H	DHM28-A60DH1KWAQL(W)H	DHM28-D2GDH1KWAQL(W)H	DHM28-F4GDH1KWAQL(W)H

W: HW Write Protect

For TCG OPAL function, the PN Code 10th~12th will be DH2.