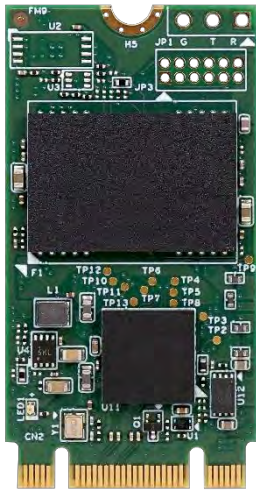
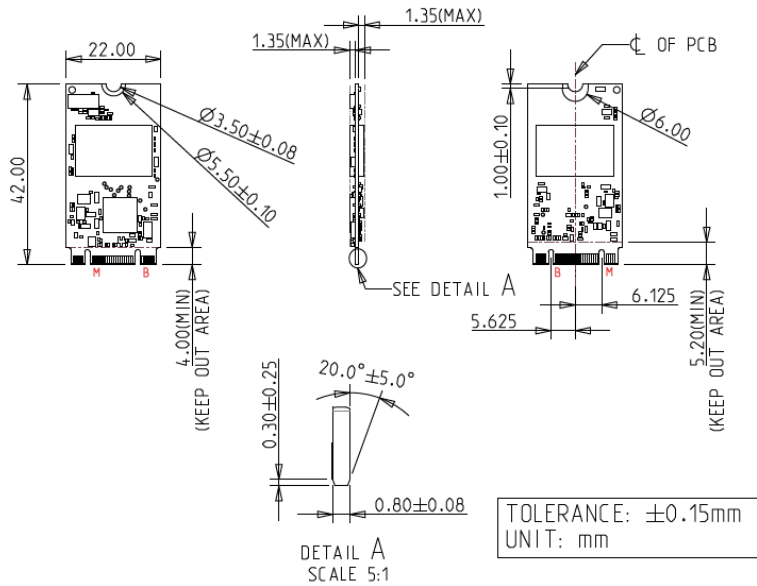


M.2 (S42)

3TEB series



Diagram



Specifications

Interface	SATA III
Flash Type	3D TLC
Capacity	128GB~1TB
Max. Channels	2
Sequential R/W (MB/sec, max.)*	550 / 480 MB/s
4KB Random (QD32) R/W (IOPS)	77,000/77,000
Max. Power Consumption	1.2W
Thermal Sensor	√
External DRAM Buffer	-
H/W Write Protect	-
ATA Security	√
S.M.A.R.T.	√
Dimension (WxLxH)	22.0 X 42.0 X 3.5 mm
Environment	Vibration: 20G @7~2000Hz Shock: 1500G @ 0.5ms Storage Temperature: -40°C ~ +85°C MTBF: 3 million hours
* Performance based on CrystalDiskMark 8.0.1 with file size 100MB	

Ordering Information (Please refer to TPS for detail)

Operation Temp.	128GB	256GB	512GB	1TB
Standard Grade (0°C ~ +70°C)	DEM24-A28IC1KCADF	DEM24-B56IC1KCADF	DEM24-C12IC1KCADF	DEM24-01TIC1KCADF