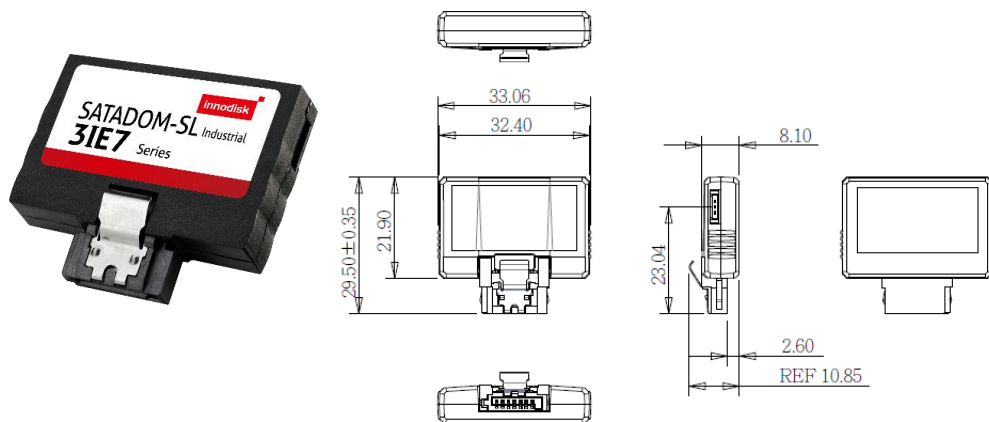


# SATADOM-SL 3IE7 series

## Diagram



TOLERANCE:  $\pm 0.30\text{mm}$   
UNIT: mm

## Specifications

Interface	SATA III
Flash Type	iSLC (3D TLC)
Capacity	20GB~80GB
Max. Channels	2
Sequential R/W (MB/sec, max.)	550/485
Max. Power Consumption	1.85W
Thermal Sensor	✓
Extended DRAM buffer	-
H/W Write Protect	-
ATA Security	✓
S.M.A.R.T.	✓
Dimension (WxLxH)	33.06 x 29.5 x 10.85 mm
Environment	Vibration: 20G @7~2000Hz Shock: 1500G @ 0.5ms Storage Temperature: -55°C ~ +95°C MTBF: 3 million hours

## Ordering Information

	20GB	40GB	80GB
Standard Grade (0°C ~ +70°C)	DHSSL-20GDK1EC1SF*	DHSSL-40GDK1ECADF*	DHSSL-80GDK1ECADF*
Industrial Grade (-40°C ~ +85°C)	DHSSL-20GDK1EW1SF*	DHSSL-40GDK1EWADF*	DHSSL-80GDK1EWADF*

\*=A-> Pin 8+ power cable / \*=B-> Pin 8+ Pin 7