

# GPU SuperServer SYS-421GE-TNRT

DP Intel 4U Dual-Root PCIe GPU System with up to 10 GPUs



More details here

## Key Applications

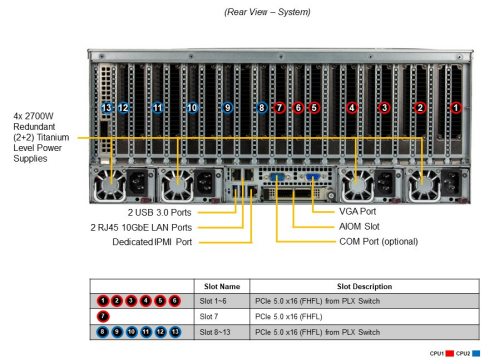
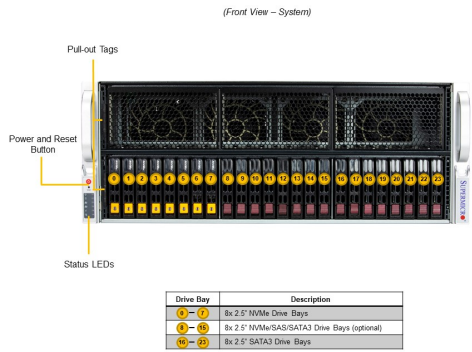
High Performance Computing, VDI, AI/Deep Learning Training, Media/Video Streaming, Cloud Gaming, Animation and Modeling, Design & Visualization, 3D Rendering, Diagnostic Imaging,

## Key Features

- 5th/4th Gen Intel® Xeon® Scalable processor support;
- 32 DIMM slots Up to 8TB: 32x 256 GB DRAM Memory Type: 5600MTs ECC DDR5;
- AIOM/OCF 3.0 Support  
13 PCIe Gen 5.0 X16 FHFL Slots;
- 8x HOT SWAP 2.5" SATA/SAS (AOC required)  
8x 2.5" Hot-swap SATA drive bays  
8x2.5" Hot-swap NVMe drive bays;
- 8 Hot-Swap Heavy Duty Fans with Optimal Fan Speed Control;
- 4x 2700W (2+2) Redundant Power Supplies, Titanium Level;



Form Factor	4U Rackmount Enclosure: 437 x 178 x 737mm (17.2" x 7" x 29") Package: 685 x 675 x 1041mm (27" x 26.57" x 41")
Processor	Dual Socket E (LGA-4677) 5th Gen Intel® Xeon® / 4th Gen Intel® Xeon® Scalable processors Up to 64C/128T; Up to 320MB Cache per CPU
GPU	Max GPU Count: Up to 10 double-width or 10 single-width GPUs Supported GPU: NVIDIA PCIe: RTX 5000 Ada, L40, RTX A4000, RTX 6000 Ada Generation, L40S, L4, A10 CPU-GPU Interconnect: PCIe 5.0 x16 Switch Dual-Root GPU-GPU Interconnect: NVIDIA® NVLink® Bridge (optional), Intel® Xe Link Bridges
System Memory	Slot Count: 32 DIMM slots Max Memory (1DPC): Up to 4TB 5600MT/s ECC RDIMM Max Memory (2DPC): Up to 8TB 4400MT/s ECC DDR5 RDIMM
Drive Bays Configuration	Default: Total 16 bays <ul style="list-style-type: none"> <li>• 8 front hot-swap 2.5" NVMe drive bays</li> <li>• 8 front hot-swap 2.5" SATA drive bays</li> </ul> Option A: Total 24 bays <ul style="list-style-type: none"> <li>• 8 front hot-swap 2.5" NVMe drive bays</li> <li>• 8 front hot-swap 2.5" NVMe* drive bays</li> <li>• 8 front hot-swap 2.5" SATA drive bays</li> </ul> (*NVMe support may require additional storage controller and/or cables, please see the optional parts list for details) M.2: 2 M.2 NVMe slots (M-key)
Expansion Slots	Default <ul style="list-style-type: none"> <li>• 13 PCIe 5.0 x16 FHFL slots</li> </ul>
On-Board Devices	Chipset: Intel® C741 Network Connectivity: 2 RJ45 10GbE with Intel® X710-AT2
Input / Output	1 VGA port



**System Cooling** Fans: 8 heavy duty fans with optimal fan speed control  
Liquid Cooling: Direct to Chip (D2C) Cold Plate (optional)

**Power Supply** 4x 2700W Redundant Titanium Level (96%) power supplies

**System BIOS** BIOS Type: AMI 32MB SPI Flash EEPROM

**Management** SuperCloud Composer; Supermicro Server Manager (SSM); Supermicro Update Manager (SUM); Supermicro SuperDoctor® 5 (SD5); Super Diagnostics Offline (SDO); Supermicro Thin-Agent Service (TAS); SuperServer Automation Assistant (SAA) New!

**PC Health Monitoring**  
 CPU: Monitors for CPU Cores, Chipset Voltages, Memory  
     8+4 Phase-switching voltage regulator  
 FAN: Fans with tachometer monitoring  
     Status monitor for speed control  
     Pulse Width Modulated (PWM) fan connectors  
 Temperature: Monitoring for CPU and chassis environment  
     Thermal Control for fan connectors

**Dimensions and Weight** Weight: Gross Weight: 100 lbs (45.3 kg)  
Net Weight: 65.5 lbs (29.7 kg)  
Available Color: Black Front & Silver Body

**Operating Environment** Operating Temperature: 10°C ~ 35°C (50°F ~ 95°F)  
Non-operating Temperature: -40°C to 60°C (-40°F to 140°F)  
Operating Relative Humidity: 8% to 90% (non-condensing)  
Non-operating Relative Humidity: 5% to 95% (non-condensing)

**Motherboard** [Super X13DEG-OA](#)

**Chassis** CSE-418G2TS-R5K40P