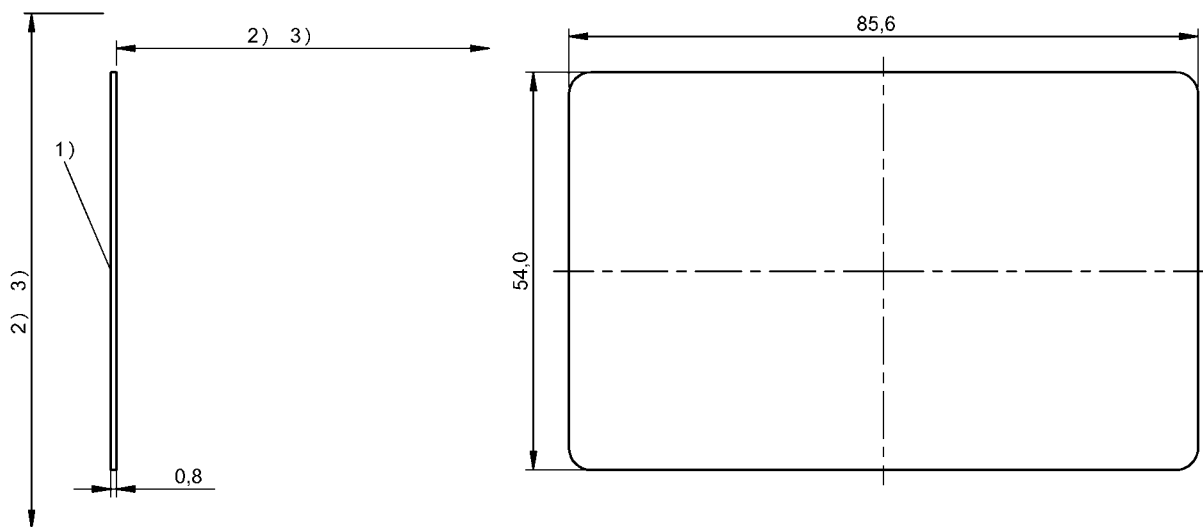


HF (13.56 MHz)
 BIS M-120-01/L
 Order Code: BIS0047

BALLUFF



- 1) Sensing surface
- 2) Clear zone
- 3) see corresponding R/W head



Basic features

Antenna type	round
Approval/Conformity	CE WEEE EAC
EN 55011	Size 1, Cl. A
EN 55022	Size 1, Cl. B
Principle of operation	Data carrier

Electrical data

Data retention time/years	≥ 10
Memory organization	47 × 16 bytes
Programming cycles	≥ 100.000
Programming time	for 16 bytes: 0.040s
Read cycles	Unlimited
Read time	User ID for 4 bytes: 0.02s for 16 bytes: 0.02 s

Environmental conditions

Ambient temperature	-25...70 °C
Continuous shock load	yes
EN 60068-2-27, Shock	yes
EN 60068-2-32 Free fall	yes
EN 60068-2-6, Vibration	yes
IP rating	IP67
Storage temperature	-25...70 °C

Functional Characteristics

Memory type	EEPROM
Supported data carrier types	DIN ISO 14443
UID serial number, read-only	4 Byte
User data, read/write	752 Byte

HF (13.56 MHz)
BIS M-120-01/L
Order Code: BIS0047

BALLUFF

Material

Housing material PVC

Mechanical data

Application weight	5.80 g
Dimension	54 x 0.76 x 85.6 mm
Installation	metal-free (clear zone)

Remarks

Values are under rated conditions unless otherwise specified.
Only when used together with the appropriate read/write head.
For installation requirements see corresponding read/write head.
Time specification includes data check.
Torsional, bending and impact loading is not permitted.
For installation in metal: Observe clear zone.