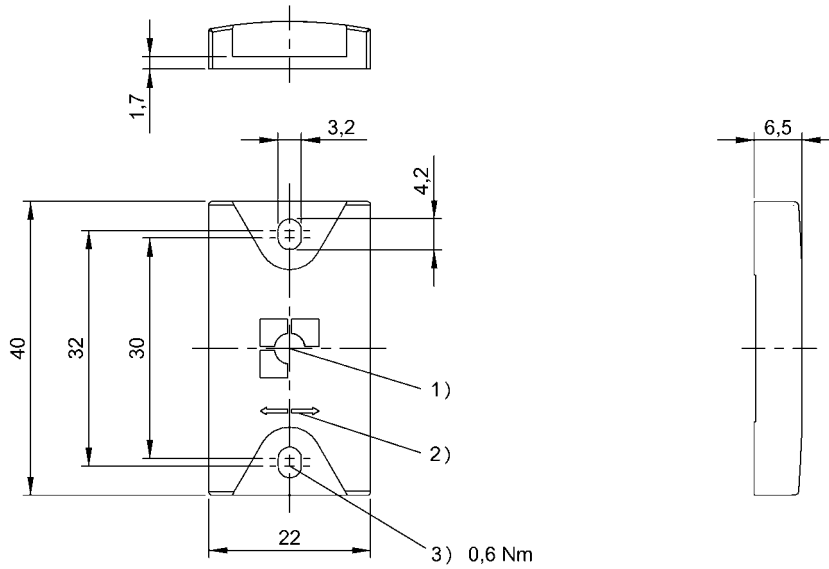


HF (13.56 MHz)
 BIS M-150-02/A
 Ordercode: BIS004F



1) Sensing surface 2) Read/write axis 3) Tightening torque



Electrical data

Data retention time/years	≥ 10 at 55 °C
Memory organization	250 × 8 bytes
Programming cycles	≥ 10.000.000.000
Programming time	for 16 bytes: 0.060s
Read cycles	Unlimited
Read time	for 16 bytes: 0.03 s User ID for 8 bytes: 0.02 s

Environmental conditions

Ambient temperature	-25...70 °C
Continuous shock load	yes
EN 60068-2-27, Shock	yes
EN 60068-2-32 Free fall	yes
EN 60068-2-6, Vibration	yes
IP rating per DIN 40050	IP68 IPx9K
Storage temperature temporary	-25...130 °C 1x1000 h

Functional Characteristics

UID serial number, read only	8 Byte
User memory type	FRAM
User memory, writeable	2000 Byte

General data

Antenna type	Rod
Approval/Conformity	CE
EN 55022	Size 1, Cl. B

Material

Housing material	PPS, GF40, with EP potting
------------------	----------------------------

Mechanical data

Application weight	8.00 g
Dimension	22 x 6.5 x 40 mm

Remarks

Values are under rated conditions unless otherwise specified.
 Impact loading not permitted.
 Only when used together with the appropriate read/write head.
 For installation requirements see corresponding read/write head.
 Time specification includes data check.
 Installation type on flat steel
 For attaching data carrier BIS Z-HW-002, order code: BAM01FT
 Order accessories separately.
 Mounting plate BIS Z-MP-001 Order code: BAM012M