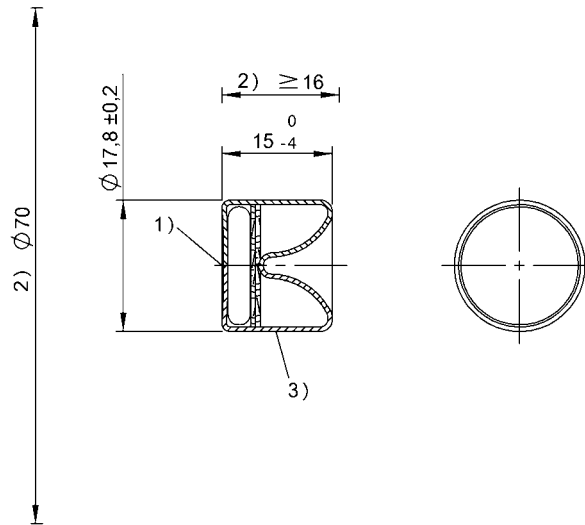


HF (13.56 MHz)
 BIS M-106-03/L
 Order Code: BIS00L8

BALLUFF



- 1) Sensing surface
- 2) Clear zone
- 3) Glass



Basic features

Antenna type	round
Approval/Conformity	CE WEEE EAC
Demineralized water	resistant
EN 55011	Size 1, Cl. A
EN 55022	Size 1, Cl. B
Principle of operation	Data carrier

Electrical data

Data retention time/years	≥ 10
Memory organization	28 × 4 bytes
Programming cycles	up to 70 °C: 100,000
Programming time	for 16 bytes: 0.1s
Read cycles	Unlimited
Read time	User ID for 8 bytes: 0.02 s for 16 bytes: 0.03 s

Environmental conditions

Ambient temperature	10...70 °C
Continuous shock load	yes
EN 60068-2-27, Shock	yes
EN 60068-2-32 Free fall	yes
EN 60068-2-6, Vibration	yes
IP rating	IP68
Storage temperature	10...126 °C
Temperature gradient max.	6 K/min

Functional Characteristics

Memory type	EEPROM
Supported data carrier types	DIN ISO 15693
UID serial number, read-only	8 Byte
User data, read/write	112 Byte

Material

Housing material	Glass
------------------	-------

Mechanical data

Application weight	3.00 g
Dimension	Ø 18 x 15 mm
Installation	metal-free (clear zone)
Pressure max.	2.6 bar

HF (13.56 MHz)
BIS M-106-03/L
Order Code: BIS00L8

BALLUFF

Remarks

Impact loading not permitted.
Values are under rated conditions unless otherwise specified.
Only when used together with the appropriate read/write head.
For installation requirements see corresponding read/write head.
Time specification includes data check.
For installation in metal: Observe clear zone.
IP68 tested according to BWN Pr 36