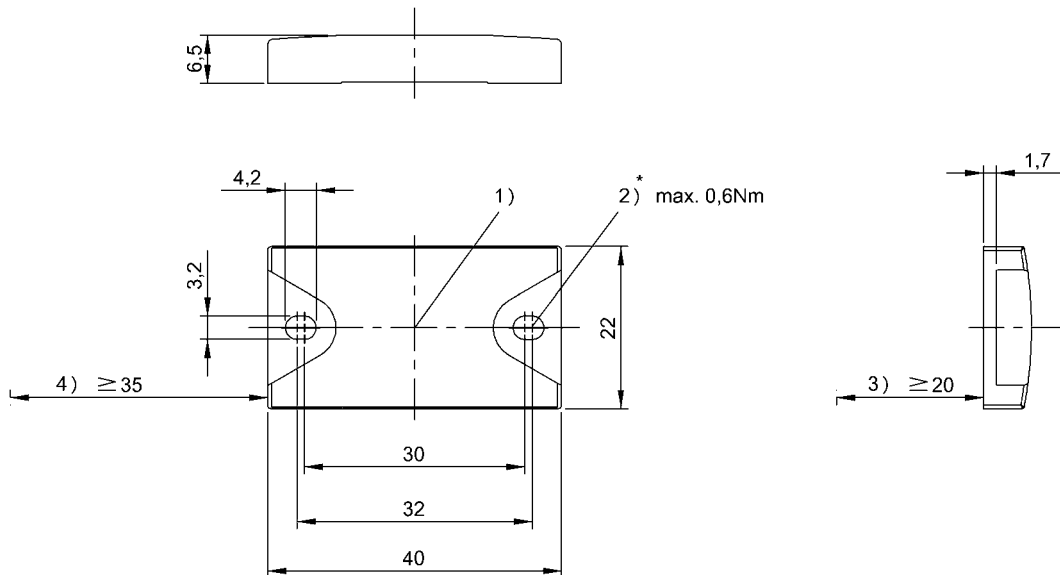


HF (13.56 MHz)
BIS M-107-03/L-H200
 Order Code: BIS00LC

BALLUFF



- 1) Sensing surface
- 2) Tightening torque
- 3) Clear zone
- 4) Clear zone surrounding



Basic features

Antenna type	round
Approval/Conformity	CE WEEE EAC
EN 55011	Size 1, Cl. A
EN 55022	Size 1, Cl. B
Principle of operation	Data carrier

Electrical data

Data retention time/years	≥ 10
Memory organization	28 × 4 bytes
Programming cycles	up to 70 °C: 100,000
Programming time	for 16 bytes: 0.1s
Read cycles	Unlimited
Read time	for 16 bytes: 0.03 s User ID for 8 bytes: 0.02 s

Environmental conditions

Ambient temperature	-25...70 °C
Continuous shock load	yes
EN 60068-2-27, Shock	yes
EN 60068-2-32 Free fall	yes
EN 60068-2-6, Vibration	yes
IP rating	IP67
Storage temperature	-25...85 °C
Storage temperature temporary	200 °C 1x1000 h

Functional Characteristics

Memory type	EEPROM
Supported data carrier types	DIN ISO 15693
UID serial number, read-only	8 Byte
User data, read/write	112 Byte

Material

Housing material	PPS, GF40, With EP potting
------------------	----------------------------

Mechanical data

Application weight	6.00 g
Dimension	22 × 6.5 × 40 mm
Installation	metal-free (clear zone)

HF (13.56 MHz)

BIS M-107-03/L-H200

Order Code: BIS00LC

BALLUFF

Remarks

Impact loading not permitted.

Values are under rated conditions unless otherwise specified.

Only when used together with the appropriate read/write head.

For installation requirements see corresponding read/write head.

Time specification includes data check.

*When attaching observe the different coefficients of expansion between screws, data carrier and mounting surface.

For installation in metal: Observe clear zone.

Order accessories separately.

For attaching data carrier BIS Z-HW-002, order code: BAM01FT