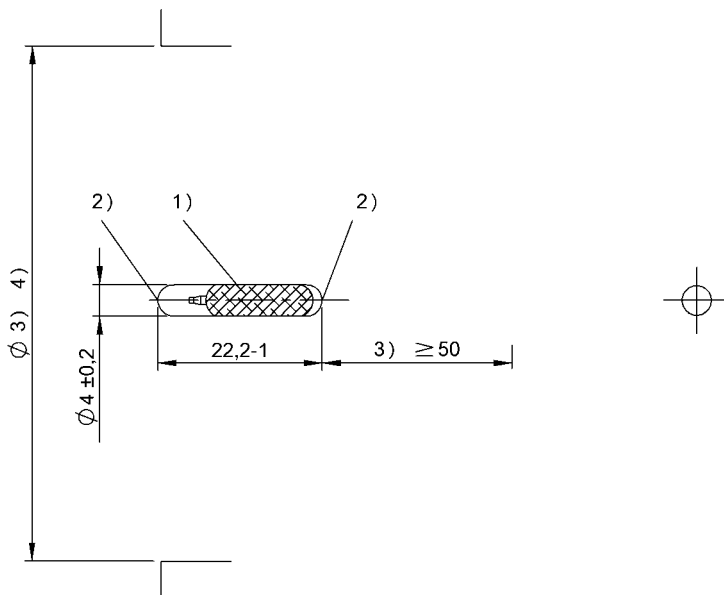


HF (13.56 MHz)
BIS M-152-03/A
 Order Code: BIS00M2

BALLUFF



- 1) Sensing surface parallel
- 2) Sensing surface axial
- 3) Clear zone
- 4) see corresponding R/W head



Basic features

Antenna type	Rod
Approval/Conformity	CE WEEE EAC
EN 55011	Size 1, Cl. A
EN 55022	Size 1, Cl. B
Principle of operation	Data carrier

Electrical data

Data retention time/years	≥ 10
Memory organization	28×4 bytes
Programming cycles	up to 50 °C: 100,000
Programming time	for 16 bytes: 0.1s
Read cycles	Unlimited
Read time	User ID for 8 bytes: 0.02 s for 16 bytes: 0.03 s

Environmental conditions

Ambient temperature	-25...85 °C
Continuous shock load	yes
EN 60068-2-27, Shock	yes
EN 60068-2-32 Free fall	yes
EN 60068-2-6, Vibration	yes
IP rating	IP68, 1 m, 24 h, 20 °C
Storage temperature	-25...85 °C
Storage temperature temporary	120 °C 1x100 h -40 °C...90 °C 1x1000 h

Functional Characteristics

Memory type	EEPROM
Supported data carrier types	DIN ISO 15693
UID serial number, read-only	8 Byte
User data, read/write	112 Byte

Material

Housing material	Glass, Transparent
------------------	--------------------

HF (13.56 MHz)
BIS M-152-03/A
Order Code: BIS00M2

BALLUFF

Mechanical data

Application weight 0.60 g

Diameter tolerance ±0.2 mm
Dimension Ø 4 x 22.2 mm
Installation metal-free (clear zone)

Remarks

Values are under rated conditions unless otherwise specified.
Only when used together with the appropriate read/write head.
For installation requirements see corresponding read/write head.
Time specification includes data check.
Torsional, bending and impact loading is not permitted.
For installation in metal: Observe clear zone.