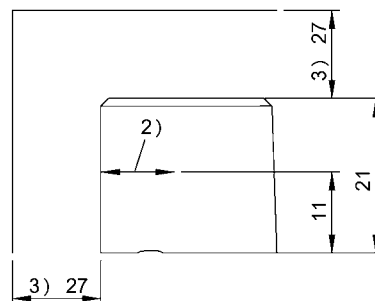
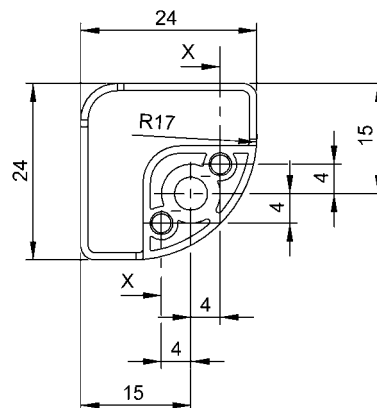
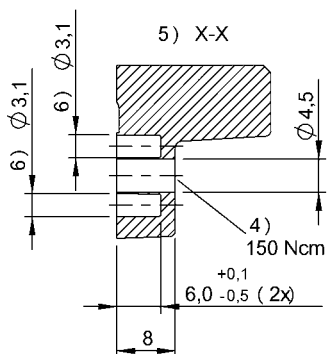
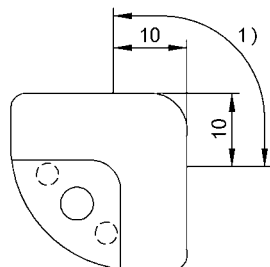


HF (13.56 MHz)
BIS M-191-02/A
Order Code: BIS00NZ

BALLUFF



- 1) Read/write range
- 2) Read/write axis
- 3) Clear zone
- 4) Tightening torque
- 5) Cut-out
- 6) see remarks



Basic features

Antenna type	Rod
Approval/Conformity	CE WEEE EAC
EN 55022	Size 1, Cl. B
Principle of operation	Data carrier

Electrical data

Data retention time/years	≥ 10 at 55 °C
Memory organization	250 × 8 bytes
Programming cycles	≥ 10.000.000.000
Programming time	for 16 bytes: 0.060s
Read cycles	Unlimited
Read time	for 16 bytes: 0.03 s User ID for 8 bytes: 0.02 s

HF (13.56 MHz)
BIS M-191-02/A
Order Code: BIS00NZ

BALLUFF

Environmental conditions

Ambient temperature	-25...70 °C
Continuous shock load	yes
EN 60068-2-27, Shock	yes
EN 60068-2-32 Free fall	yes
EN 60068-2-6, Vibration	yes
IP rating	IP67
Storage temperature	-25...85 °C

Functional Characteristics

Memory type	FRAM
Supported data carrier types	DIN ISO 15693
UID serial number, read-only	8 Byte
User data, read/write	2000 Byte

Material

Housing material	PBT, PU potted
------------------	----------------

Mechanical data

Application weight	18.00 g
Dimension	24 x 21 x 24 mm
Installation	metal-free (clear zone)

Remarks

Time specification includes data check.
For installation requirements see corresponding read/write head.
6) for twist-proof mounting, cylindrical pin Ø3, e.g. acc. to DIN EN ISO 2338, DIN EN ISO 8734.
Only when used together with the appropriate read/write head.
Values are under rated conditions unless otherwise specified.
Impact loading not permitted.