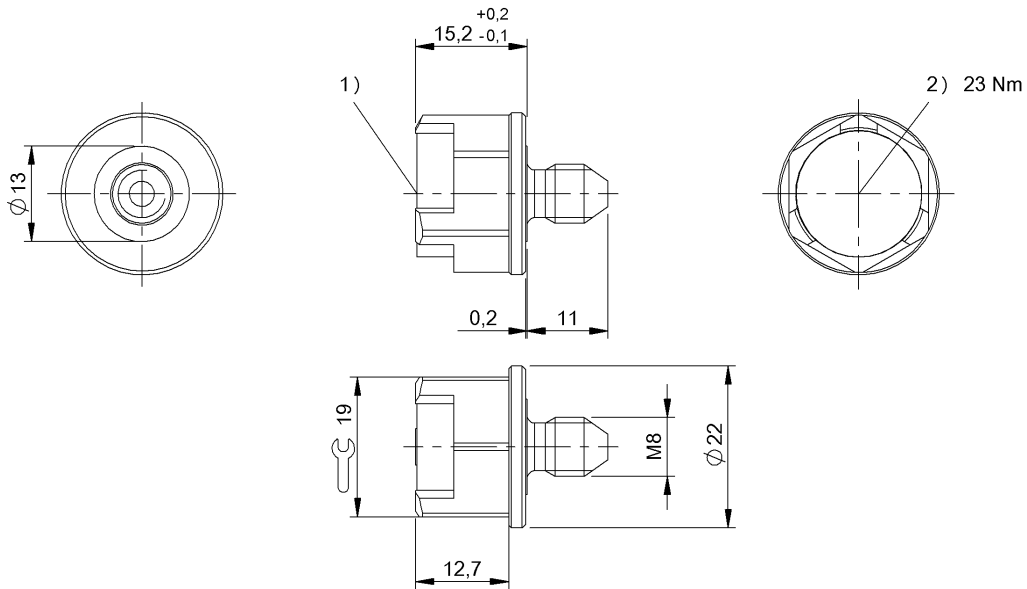


HF (13.56 MHz)  
**BIS M-144-02/A-M8-GY**  
 Order Code: BIS00R5

**BALLUFF**



- 1) Sensing surface
- 2) Tightening torque



**Basic features**

<b>Antenna type</b>	round
<b>Approval/Conformity</b>	CE WEEE EAC
<b>EN 55022</b>	Size 1, Cl. B
<b>Principle of operation</b>	Data carrier

**Electrical data**

<b>Data retention time/years</b>	≥ 10 at 55 °C
<b>Memory organization</b>	250 × 8 bytes
<b>Programming cycles</b>	≥ 10.000.000.000
<b>Programming time</b>	for 16 bytes: 0.060s
<b>Read cycles</b>	Unlimited
<b>Read time</b>	User ID for 8 bytes: 0.02 s for 16 bytes: 0.03 s

**Environmental conditions**

<b>Ambient temperature</b>	-25...70 °C
<b>Continuous shock load</b>	yes
<b>EN 60068-2-27, Shock</b>	yes
<b>EN 60068-2-32 Free fall</b>	yes
<b>EN 60068-2-6, Vibration</b>	yes
<b>IP rating per DIN 40050</b>	IP68 IPx9K

**Functional Characteristics**

<b>Memory type</b>	FRAM
<b>UID serial number, read-only</b>	8 Byte
<b>User data, read/write</b>	2000 Byte

**Material**

<b>Housing material</b>	Steel, Data carrier: PA 12-GF30 gray, coated
<b>Housing material, surface protection</b>	coated

**Mechanical data**

<b>Application weight</b>	17.00 g
<b>Dimension</b>	Ø 22 x 26 mm

**Remarks**

Time specification includes data check.  
 For installation requirements see corresponding read/write head.

HF (13.56 MHz)

**BIS M-144-02/A-M8-GY**

**Order Code: BIS00R5**

**BALLUFF**

Lubricate screw before installing.

Only when used together with the appropriate read/write head.

Values are under rated conditions unless otherwise specified.

We recommend lightly oiling the data carrier screws and storing in a dry location at room temperature.