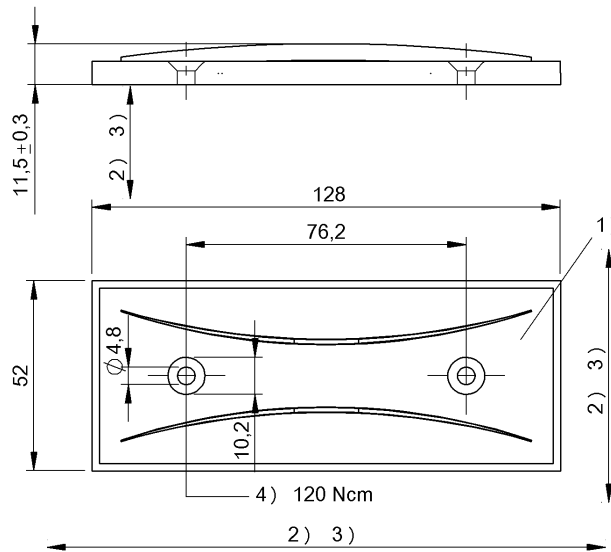


HF (13.56 MHz)  
 BIS M-136-03/L  
 Order Code: BIS00W9

**BALLUFF**



- 1) Sensing surface
- 2) Clear zone
- 3) see corresponding R/W head
- 4) Tightening torque



**Basic features**

Antenna type	Rectangular
Approval/Conformity	CE WEEE EAC
EN 55011	Size 1, Cl. A
EN 55022	Size 1, Cl. B
Principle of operation	Data carrier

**Electrical data**

Data retention time/years	≥ 10
Memory organization	28 × 4 bytes
Programming cycles	≥ 100.000
Programming time	for 16 bytes: 0.040s
Read cycles	Unlimited
Read time	for 16 bytes: 0.02 s User ID for 4 bytes: 0.02s

**Environmental conditions**

Ambient temperature	-20...85 °C
Continuous shock load	yes
EN 60068-2-27, Shock	yes
EN 60068-2-32 Free fall	yes
EN 60068-2-6, Vibration	yes
IP rating	IP68
Storage temperature	-40...85 °C

**Functional Characteristics**

Memory type	EEPROM
Supported data carrier types	DIN ISO 15693
UID serial number, read-only	8 Byte
User data, read/write	112 Byte

**Functional safety**

MTTF (40 °C)	1489 a
--------------	--------

**Material**

Housing material	ABS, black
------------------	------------

HF (13.56 MHz)  
BIS M-136-03/L  
Order Code: BIS00W9

**BALLUFF**

---

**Mechanical data**

Application weight 47.00 g

**Dimension**

52 x 11.5 x 128 mm

**Installation**

metal-free (clear zone)

---

**Remarks**

For installation in metal: Observe clear zone.  
Time specification includes data check.  
For installation requirements see corresponding read/write head.  
Only when used together with the appropriate read/write head.  
Values are under rated conditions unless otherwise specified.  
For more information about MTTF and B10d see MTTF / B10d Certificate

Indication of the MTTF- / B10d value does not represent a binding composition and/or life expectancy assurance; these are simply experiential values with no warranty implications. These declared values also do not extend the expiration period for defect claims or affect it in any way.