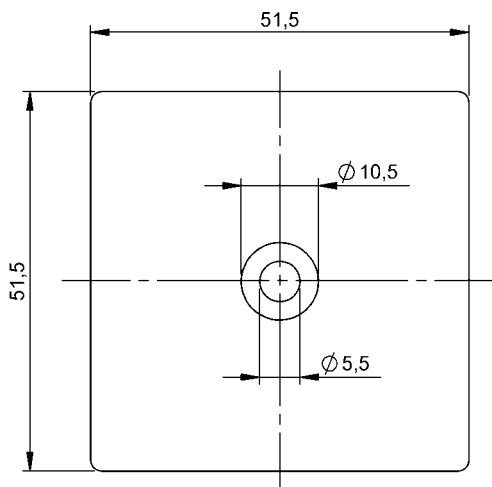
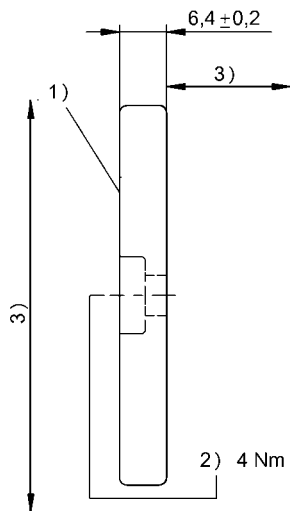


HF (13.56 MHz)  
**BIS M-135-02/L**  
 Order Code: BIS00Y6

**BALLUFF**



- 1) Sensing surface
- 2) Tightening torque
- 3) see R/W head table



**Basic features**

Antenna type	round
Approval/Conformity	CE WEEE EAC
EN 55022	Size 1, Cl. B
Principle of operation	Data carrier

**Electrical data**

Data retention time/years	≥ 10 at 55 °C
Memory organization	250 × 8 bytes
Programming cycles	≥ 10.000.000.000
Programming time	for 16 bytes: 0.060s
Read cycles	Unlimited
Read time	User ID for 8 bytes: 0.02 s for 16 bytes: 0.03 s

**Environmental conditions**

Ambient temperature	-20...85 °C
Continuous shock load	yes
EN 60068-2-27, Shock	yes
EN 60068-2-32 Free fall	yes
EN 60068-2-6, Vibration	yes
IP rating	IP68
Storage temperature	-40...85 °C

**Functional Characteristics**

Memory type	FRAM
Supported data carrier types	DIN ISO 15693
UID serial number, read-only	8 Byte
User data, read/write	2000 Byte

**Material**

Housing material	ABS, black
------------------	------------

**Mechanical data**

Application weight	25.00 g
Dimension	51.5 x 6.4 x 51.5 mm
Installation	metal-free (clear zone)

HF (13.56 MHz)  
**BIS M-135-02/L**  
**Order Code: BIS00Y6**

**BALLUFF**

#### Remarks

---

For installation requirements see corresponding read/write head.  
Only when used together with the appropriate read/write head.  
Values are under rated conditions unless otherwise specified.  
Time specification includes data check.  
For installation in metal: Observe clear zone.