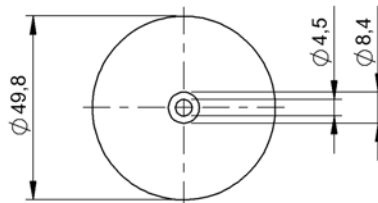
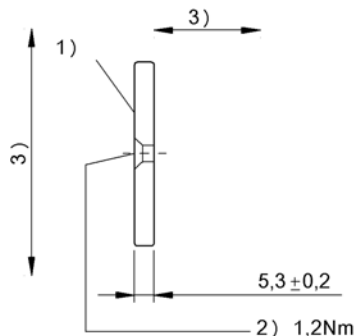


HF (13.56 MHz)  
**BIS M-134-10/L**  
 Order Code: BIS00Y8

# BALLUFF



- 1) Sensing surface
- 2) Tightening torque
- 3) see R/W head table



### Basic features

Antenna type	round
Approval/Conformity	CE WEEE EAC
EN 55011	Size 1, Cl. A
EN 55022	Size 1, Cl. B
Principle of operation	Data carrier

### Electrical data

Data retention time/years	≥ 10
Memory organization	47 × 16 bytes
Programming cycles	≥ 100.000
Programming time	for 16 bytes: 0.040s
Read cycles	Unlimited
Read time	for 16 bytes: 0.02 s User ID for 4 bytes: 0.02s

### Environmental conditions

Ambient temperature	-20...85 °C
Continuous shock load	yes
EN 60068-2-27, Shock	yes
EN 60068-2-32 Free fall	yes
EN 60068-2-6, Vibration	yes
IP rating	IP68
Storage temperature	-40...85 °C

### Functional Characteristics

Memory type	EEPROM
Supported data carrier types	DIN ISO 14443
UID serial number, read-only	4 Byte
User data, read/write	736 Byte

### Material

Housing material	ABS, black
------------------	------------

### Mechanical data

Application weight	12.00 g
Dimension	∅ 49.8 x 5.3 mm
Installation	metal-free (clear zone)

HF (13.56 MHz)  
**BIS M-134-10/L**  
Order Code: BIS00Y8

**BALLUFF**

#### Remarks

---

Values are under rated conditions unless otherwise specified.  
Only when used together with the appropriate read/write head.  
For installation requirements see corresponding read/write head.  
Time specification includes data check.  
For installation in metal: Observe clear zone.