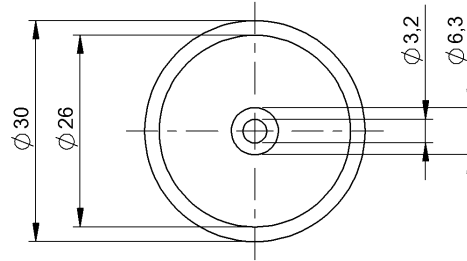
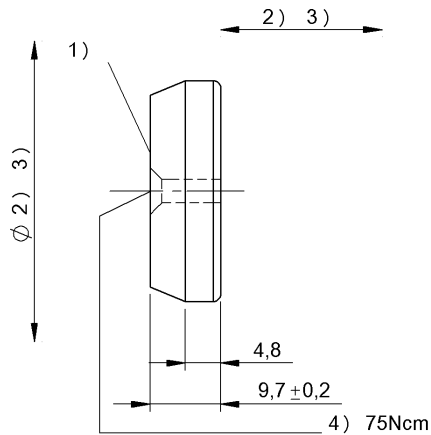


HF (13.56 MHz)
BIS M-133-02/A
 Order Code: BIS00Y9

BALLUFF



- 1) Sensing surface
- 2) Clear zone
- 3) see corresponding R/W head
- 4) Tightening torque



Basic features

Antenna type	round
Approval/Conformity	CE WEEE
EN 55022	Size 1, Cl. B
Principle of operation	Data carrier

Electrical data

Data retention time/years	≥ 10 at 55 °C
Memory organization	250 × 8 bytes
Programming cycles	≥ 10.000.000.000
Programming time	for 16 bytes: 0.060s
Read cycles	Unlimited
Read time	for 16 bytes: 0.03 s User ID for 8 bytes: 0.02 s

Environmental conditions

Ambient temperature	-40...85 °C
Continuous shock load	yes
EN 60068-2-27, Shock	yes
EN 60068-2-32 Free fall	yes
EN 60068-2-6, Vibration	yes
IP rating	IP67
Storage temperature	-40...130 °C

Functional Characteristics

Memory type	FRAM
Supported data carrier types	DIN ISO 15693
UID serial number, read-only	8 Byte
User data, read/write	2000 Byte

Material

Housing material	PA, black
------------------	-----------

Mechanical data

Application weight	10.00 g
Dimension	∅ 30 x 9.7 mm
Installation	metal-free (clear zone) on metal

HF (13.56 MHz)
BIS M-133-02/A
Order Code: BIS00Y9

BALLUFF

Remarks

Impact loading not permitted.
Values are under rated conditions unless otherwise specified.
Only when used together with the appropriate read/write head.
For installation requirements see corresponding read/write head.
For installation in metal: Observe clear zone.
Time specification includes data check.