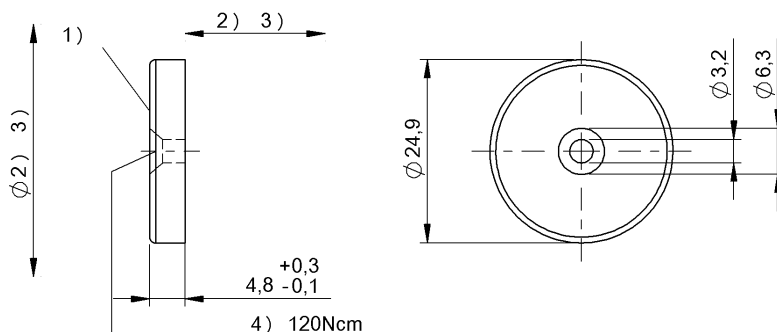


HF (13.56 MHz)
BIS M-132-10/L-HT
 Order Code: BIS00YA

BALLUFF



- 1) Sensing surface
- 2) Clear zone
- 3) see corresponding R/W head
- 4) Tightening torque



Basic features

Antenna type	round
Approval/Conformity	CE Ecolab EAC WEEE
EN 55011	Size 1, Cl. A
EN 55022	Size 1, Cl. B
Principle of operation	Data carrier

Electrical data

Data retention time/years	≥ 10
Memory organization	47 × 16 bytes
Programming cycles	≥ 100.000
Programming time	for 16 bytes: 0.040s
Read cycles	Unlimited
Read time	for 16 bytes: 0.02 s User ID for 4 bytes: 0.02s

Environmental conditions

Ambient temperature	-40...85 °C
Continuous shock load	yes
EN 60068-2-27, Shock	yes
EN 60068-2-32 Free fall	yes
EN 60068-2-6, Vibration	yes
IP rating	IP68
IP rating per DIN 40050	IPx9K
Storage temperature temporary	-40...220 °C 1x1000 h, 1500x30 min

Functional Characteristics

Memory type	EEPROM
Supported data carrier types	DIN ISO 14443
UID serial number, read-only	4 Byte
User data, read/write	736 Byte

Material

Housing material	PPS
-------------------------	-----

HF (13.56 MHz)
BIS M-132-10/L-HT
Order Code: BIS00YA

BALLUFF

Mechanical data

Application weight 4.00 g

Dimension

Ø 24.9 x 4.8 mm

Installation

metal-free (clear zone)

Remarks

The data carrier meets the device protection level EPL Gb and can therefore be used in Zone 1 with Gas Group II. A, II. B and II.C used.

Values are under rated conditions unless otherwise specified.

Only when used together with the appropriate read/write head.

For installation requirements see corresponding read/write head.

Time specification includes data check.

Storage temperature 1000 h or 1500 cycles à 30 min.

For installation in metal: Observe clear zone.