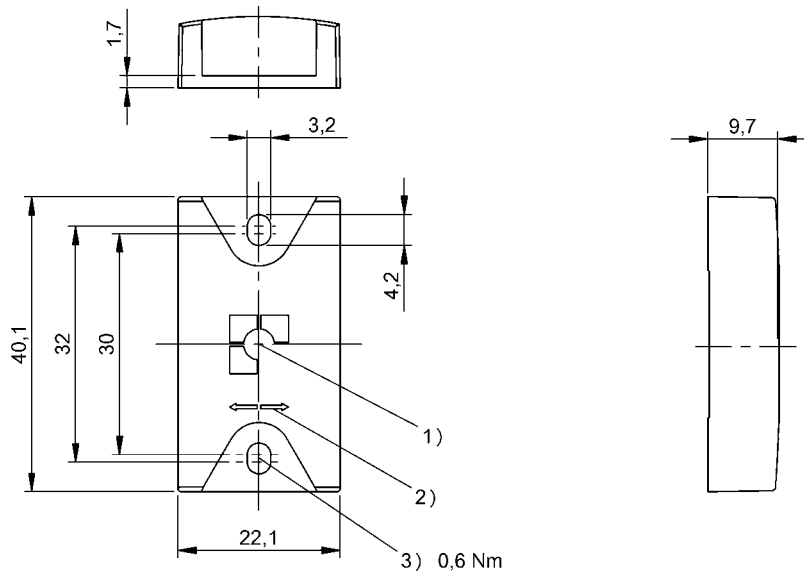


HF (13.56 MHz)
BIS M-155-20/A
 Order Code: BIS0117

BALLUFF



- 1) Sensing surface
- 2) Read/write axis
- 3) Tightening torque



Basic features

Antenna type	Rod
Approval/Conformity	CE WEEE EAC
EN 55022	Size 1, Cl. B
Principle of operation	Data carrier

Electrical data

Data retention time/years	≥ 10 at 55 °C
Memory organization	256 × 32 bytes
Programming cycles	≥ 10.000.000.000
Programming time	for 16 bytes: 0.060s
Read cycles	Unlimited
Read time	User ID for 8 bytes: 0.02 s for 16 bytes: 0.03 s

Environmental conditions

Ambient temperature	-25...70 °C
Continuous shock load	yes
EN 60068-2-27, Shock	yes
EN 60068-2-32 Free fall	yes
EN 60068-2-6, Vibration	yes
IP rating per DIN 40050	IP68 IPx9K
Storage temperature temporary	-25...130 °C 1x1000 h

Functional Characteristics

Memory type	FRAM
Supported data carrier types	DIN ISO 15693
UID serial number, read-only	8 Byte
User data, read/write	8192 Byte

Material

Housing material	PPS, GF40, With EP potting
------------------	----------------------------

Mechanical data

Application weight	8.00 g
Dimension	22 x 9.7 x 40 mm
Installation	metal-free (clear zone) on metal

HF (13.56 MHz)
BIS M-155-20/A
Order Code: BIS0117

BALLUFF

Remarks

Installation type on flat steel
Order accessories separately.
Time specification includes data check.
For installation requirements see corresponding read/write head.
Only when used together with the appropriate read/write head.
Values are under rated conditions unless otherwise specified.
Impact loading not permitted.
For attaching data carrier BIS Z-HW-002, order code: BAM01FT
Mounting plate BIS Z-MP-001 Order code: BAM012M