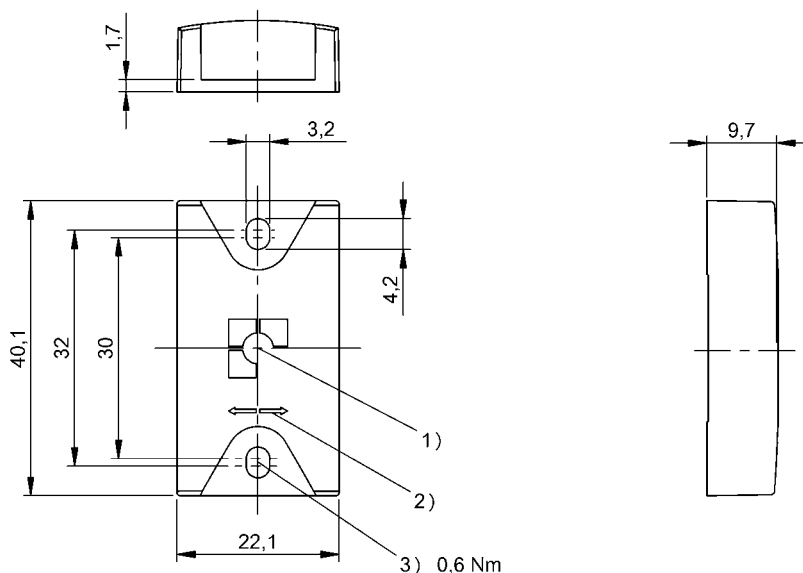


HF (13.56 MHz)  
**BIS M-155-13/A**  
 Order Code: BIS011Z

**BALLUFF**



- 1) Sensing surface
- 2) Read/write axis
- 3) Tightening torque



**Basic features**

Antenna type	Rod
Approval/Conformity	CE WEEE EAC
EN 55022	Size 1, Cl. B
Principle of operation	Data carrier

**Electrical data**

Data retention time/years	≥ 10 at 55 °C
Programming cycles	≥ 10.000.000.000
Programming time	for 16 bytes: 0.006s
Read cycles	Unlimited
Read time	User ID for 8 bytes: 0.02 s for 16 bytes: 0.003 s

**Environmental conditions**

Ambient temperature	-25...70 °C
Continuous shock load	yes
EN 60068-2-27, Shock	yes
EN 60068-2-32 Free fall	yes
EN 60068-2-6, Vibration	yes
IP rating per DIN 40050	IP68 IPx9K
Storage temperature temporary	-25...130 °C 1x1000 h

**Functional Characteristics**

Memory type	FRAM
Supported data carrier types	DIN ISO 15693 (High Memory)
UID serial number, read-only	8 Byte
User data, read/write	32768 Byte

**Material**

Housing material	PPS, GF40, With EP potting
------------------	----------------------------

**Mechanical data**

Application weight	8.00 g
Dimension	22 x 9.7 x 40 mm
Installation	metal-free (clear zone) on metal

**HF (13.56 MHz)**  
**BIS M-155-13/A**  
**Order Code: BIS011Z**

**BALLUFF**

#### Remarks

---

Installation type on flat steel  
Order accessories separately.  
Time specification includes data check.  
For installation requirements see corresponding read/write head.  
Only when used together with the appropriate read/write head.  
Values are under rated conditions unless otherwise specified.  
Impact loading not permitted.  
For attaching data carrier BIS Z-HW-002, order code: BAM01FT  
Mounting plate BIS Z-MP-001 Order code: BAM012M