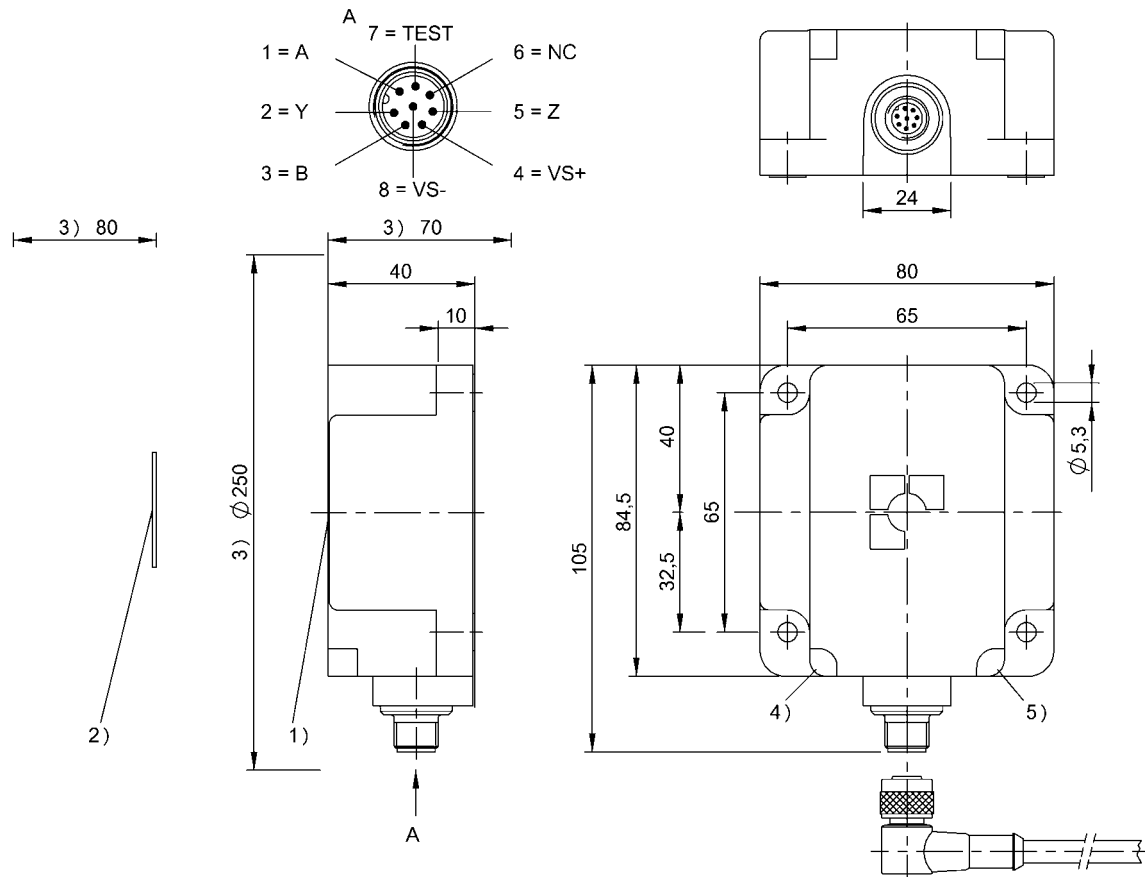


HF (13.56 MHz)  
 BIS M-301-001-S115  
 Order Code: BIS0055

**BALLUFF**



- 1) Sensing surface
- 2) Data carrier
- 3) Clear zone
- 4) LED (Power)
- 5) LED (TP)



### Basic features

Antenna type	round
Approval/Conformity	CE FCC Part 15 IC RSS-210 cULus EAC WEEE
Principle of operation	Read/write head

### Display/Operation

Function indicator	TP (Tag Present) LED yellow Green LED Power (ON)
--------------------	---

### Electrical connection

Connection	Male, 8-pin
------------	-------------

### Electrical data

EN 300330-1	Power Class 5
-------------	---------------

### Environmental conditions

Ambient temperature	0...70 °C
Continuous shock load	yes
EN 60068-2-27, Shock	yes
EN 60068-2-32 Free fall	yes
EN 60068-2-6, Vibration	yes
IP rating	IP67
Storage temperature	-20...85 °C

HF (13.56 MHz)  
**BIS M-301-001-S115**  
Order Code: BIS0055

**BALLUFF**

### Functional Characteristics

Supported data carrier types	DIN ISO 14443 DIN ISO 15693
------------------------------	--------------------------------------

### Functional safety

MTTF (40 °C)	242 a
--------------	-------

### Material

Housing material	PBT
------------------	-----

### Mechanical data

Application weight	190.00 g
Dimension	80 x 40 x 84.5 mm
Installation	metal-free (clear zone)

### Remarks

For installation in metal: Observe clear zone.

Values are under rated conditions unless otherwise specified.

Only together with BIS M-6xxx

For basic equipment order cable also e.g.: BIS Z-501-PU1-05/E BISZ-501-PU1-10/E BIS Z-501-PU1-15/E BIS Z-501-PU1-20/E BIS Z-501-PU1-25/E BIS Z-501-PU1-50/E BIS Z-501-PU1-00,5/M BIS Z-501-PU1-01/M BIS Z-501-PU1-02/M BIS Z-501-PU1-05/M BIS Z-502-PU1-05/E BIS Z-502-PU1-10/E BIS Z-502-PU1-15/E BIS Z-502-PU1-20/E BIS Z-502-PU1-25/E BIS Z-502-PU1-50/E BIS Z-502-PU1-00,5/M BIS Z-502-PU1-01/M BIS Z-502-PU1-02/M BIS Z-502-PU1-05/M

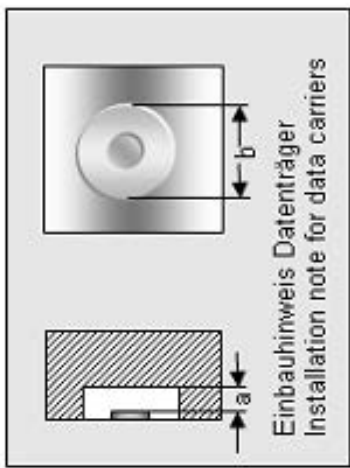
For more information about MTTF and B10d see MTTF / B10d Certificate

Indication of the MTTF- / B10d value does not represent a binding composition and/or life expectancy assurance; these are simply experiential values with no warranty implications. These declared values also do not extend the expiration period for defect claims or affect it in any way.

Help Views

**BIS M-301-\_\_**

	BIS M-101-01/L	BIS M-102-01/A	BIS M-108-02/L	BIS M-110-02/L	BIS M-111-02/L
passende Datenträger Appropriate data carriers					
Abstand Datenträger zu Metall in mm ( a ) Data carrier distance to metal in mm	>50 >10 >5	>50 >25 >10	>50 >20	>50 >30	>50 >30
Freizone Datenträger in mm ( b ) Data carrier clear zone in mm	>200 >60 >50	>200 >150 >150	>200 >60	>200 >100	>200 >100
Schreibabstand in mm Write distance in mm	0-34 0-20 0-15	0-45 0-43 0-35	0-45 8-22	0-32 0-20	0-45 0-30
Leseabstand in mm Read distance in mm	0-34 0-20 0-15	0-45 0-43 0-35	0-45 8-22	0-32 0-20	0-45 0-30
Versatz in mm bei Abstand von	0 ±22 ±18 ±14	±30 ±24 ±18	±32 ±20	±28 ±20	±32 ±22
	5 ±22 ±18 ±14	±30 ±24 ±18	±32 ±20	±28 ±20	±32 ±22
	9 ±22 ±18 ±14	±30 ±24 ±18	±32 ±20	±28 ±18	±32 ±22
	12 ±22 ±18 ±10	±30 ±24 ±18	±32 ±18	±24 ±18	±32 ±22
	15 ±22 ±18 ±10	±30 ±24 ±18	±32 ±18	±24 ±15	±32 ±20
	16 ±22 ±16 ±8	±30 ±24 ±18	±32 ±18	±24 ±15	±32 ±20
	18 ±22 ±16 ±6	±30 ±24 ±18	±32 ±16	±24 ±12	±32 ±18
	20 ±22 ±16 ±4	±30 ±24 ±18	±32 ±16	±24 ±8	±32 ±16
	22 ±20 ±10	±30 ±24 ±15	±25 ±14	±20	±25 ±14
	25 ±15 ±10	±30 ±24 ±15	±25	±20	±25 ±12
	30 ±15 ±4	±30 ±20 ±12	±25	±12	±25 ±10
	32 ±8	±30 ±18 ±8	±20	±12	±20
	35 ±4	±30 ±16 ±4	±20		±20
	40	±24 ±10	±20		±20
	43	±20 ±4	±12		±12
	45	±16	±12		±12
	50	±4			
	52				
	60				
	65				
	70				



HF (13.56 MHz)

BIS M-301-001-S115

Order Code: BIS0055

**BALLUFF**

**BIS M-301-\_\_**

	BIS M-112-02/L	BIS M-120-01/L	BIS M-107-03/L	BIS M-106-03/L	
passende Datenträger Appropriate data carriers					
Abstand Datenträger zu Metall in mm ( a ) Data carrier distance to metal in mm	>50 >30	>80	>20	>1 0	
Freizone Datenträger in mm ( b ) Data carrier clear zone in mm	>200 >100	>250	>110	>70 >70	
Schreibabstand in mm Write distance in mm	0-70 0-45	0-50	0-28	0-32 0-32	
Leseabstand in mm Read distance in mm	0-70 0-45	0-50	0-28	0-32 0-32	
Versatz in mm bei Abstand von	0 ±40 ±25	±30	±20	±30 ±25	
	5 ±40 ±25	±30	±20	±30 ±25	
	9 ±40 ±25	±30	±20	±30 ±25	
	12 ±40 ±25	±30	±20	±25 ±25	
	15 ±40 ±25	±30	±20	±25 ±25	
	16 ±40 ±25	±30	±20	±25 ±25	
	18 ±40 ±25	±30	±17	±25 ±22	
	20 ±40 ±25	±30	±17	±25 ±22	
	22 ±40 ±22	±30	±10	±25 ±22	
	25 ±40 ±22	±30	±5	±25 ±22	
	30 ±40 ±22	±28		±20 ±17	
	32 ±40 ±22	±24		±20 ±17	
	35 ±40 ±20	±22			
	40 ±40 ±20	±18			
	43 ±35 ±15	±14			
	45 ±35 ±12	±12			
	50 ±35	±4			
	52 ±35				
	60 ±30				
	65 ±30				
	70 ±20				

