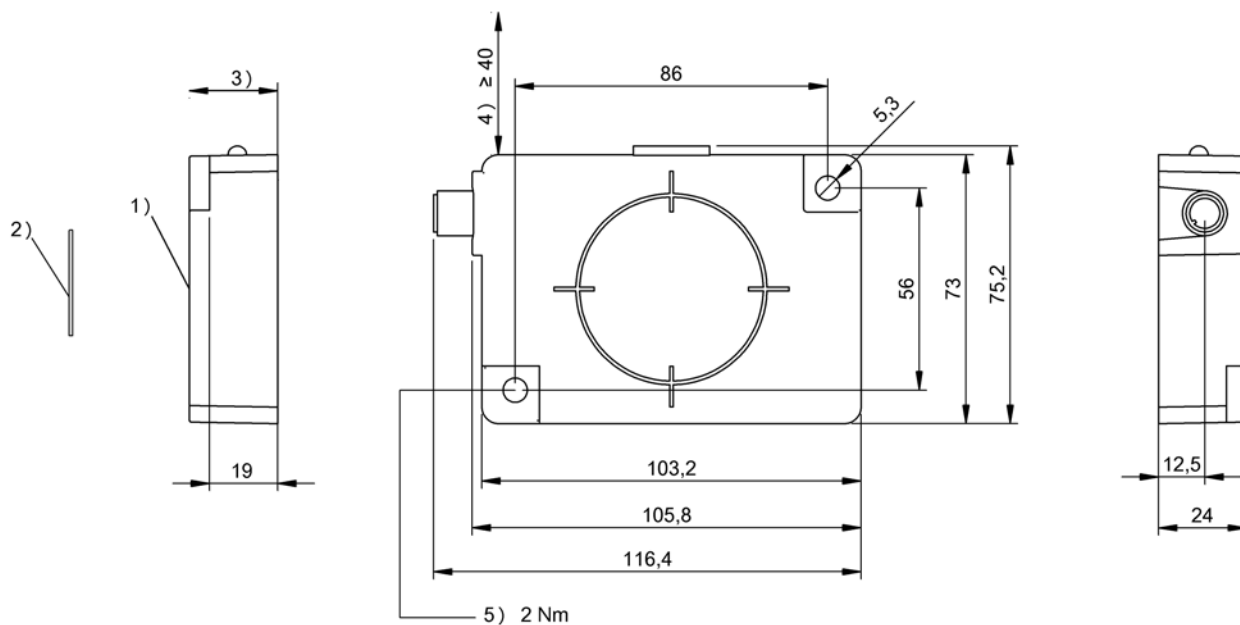


HF (13.56 MHz)
 BIS M-411-067-001-04-S92
 Order Code: BIS00W5

BALLUFF



- 1) Sensing surface
- 2) Data carrier
- 3) Clear zone
- 4) Clear zone surrounding
- 5) Tightening torque



Basic features

Antenna type	round
Approval/Conformity	CE cULus EAC WEEE
EN 55011	Size 1, Cl. A
Principle of operation	Read/write device

Display/Operation

Function indicator	COM field, LED yellow RF field, LED red Power (ON), LED green
---------------------------	---

Electrical connection

Connection (RS485): M12x1-Male, 5-pin

Electrical data

Current consumption max. at 24 V DC	400 mA
EN 300330-1	Power Class 5
Operating voltage U_b	10...30 VDC
Residual ripple max.	included

HF (13.56 MHz)
BIS M-411-067-001-04-S92
Order Code: BIS00W5

BALLUFF

Environmental conditions

Ambient temperature	-20...50 °C
Continuous shock load	yes
EN 60068-2-27, Shock	yes
EN 60068-2-32 Free fall	yes
EN 60068-2-6, Vibration	yes
IP rating	IP67
Storage temperature	-20...70 °C

Functional Characteristics

Supported data carrier types	DIN ISO 14443 DIN ISO 15693
------------------------------	--------------------------------------

Material

Housing material	PC, With PU potting
------------------	---------------------

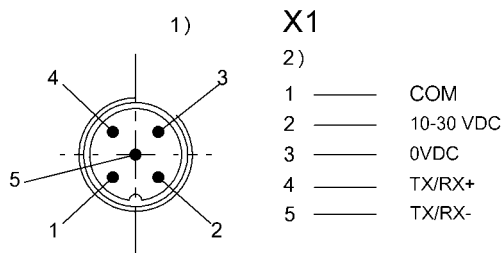
Mechanical data

Application weight	200.00 g
Dimension	75 x 24 x 105 mm
Installation	metal-free (clear zone)

Output/Interface

Interface	Subnet 16 (RS485)
-----------	-------------------

Connector Drawings



- 1) View towards connector
2) Male 5-pin/ Function

Help Views

HF (13.56 MHz)

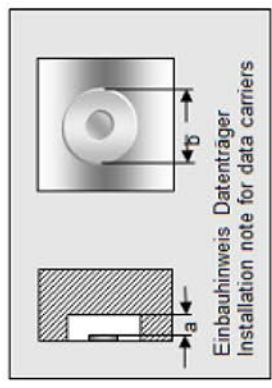
BIS M-411-067-001-04-S92

Order Code: BIS00W5

BALLUFF

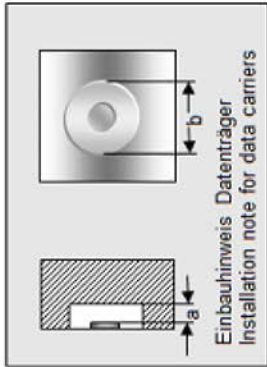
BIS M-411-__

	BIS M-130-03/L	BIS M-130-07/L	BIS M-132-03/L	BIS M-132-03/L- HT
passende Datenträger Appropriate data carriers				
Abstand Datenträger zu Metall in mm (a) Data carrier distance to metal in mm	>10	>10	>25	>25
Freizone Datenträger in mm (b) Data carrier clear zone in mm	>60	>60	>100	>100
Schreibabstand in mm Write distance in mm	0-20	0-13	0-80	0-70
Lesebestand in mm Read distance in mm	0-20	0-13	0-80	0-70
Versatz in mm bei Abstand von	0 ±22 5 ±22 9 ±19 12 ±19 13 ±19 15 ±19 20 ±14	±22 ±22 ±20 ±12 ±5	±50 ±50 ±50 ±50 ±50 ±50 ±50 ±40 ±40 ±40 ±40 ±35 ±35 ±35 ±30 ±30 ±30	±42 ±42 ±42 ±42 ±42 ±42 ±42 ±39 ±39 ±39 ±39 ±36 ±36 ±36 ±28 ±28
Offset in mm at distance	0 5 9 12 13 15 20 22 26 30 35 40 45 50 60 65 70 75 80 90 100			



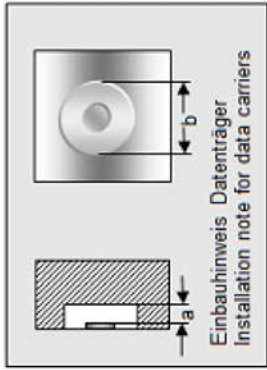
BIS M-411-__

	BIS M-132-10/L	BIS M-132-10/L- HT	BIS M-133-02/A	BIS M-134-10/L	BIS M-134-10/L- HT
passende Datenträger Appropriate data carriers					
Abstand Datenträger zu Metall in mm (a) Data carrier distance to metal in mm	>25	>25	>25	>50	>50
Freizone Datenträger in mm (b) Data carrier clear zone in mm	>100	>100	>100	>150	>150
Schreibabstand in mm Write distance in mm	0-26	0-22	38-52	0-56	0-60
Leseabstand in mm Read distance in mm	0-26	0-22	38-52	0-56	0-60
Versatz in mm bei Abstand von Offset in mm at distance	0 ±20 5 ±20 10 ±20 15 ±20 20 ±15 22 ±15 26 ±15 30 38 40 45 50 52 56 60 70 80 90 100 110 120	±20 ±20 ±20 ±20 ±15 ±10		±35 ±35 ±35 ±35 ±35 ±30 ±30 ±30 ±30 ±25 ±25 ±25 ±25	±32 ±32 ±32 ±32 ±32 ±30 ±30 ±30 ±30 ±25 ±25 ±20 ±20 ±20



BIS M-411-__

	BIS M-135-02/L	BIS M-135-03/L	BIS M-135-03/L- HT	BIS M-135-07/L	BIS M-135-07/L- HT
passende Datenträger Appropriate data carriers					
Abstand Datenträger zu Metall in mm (a) Data carrier distance to metal in mm	>50	>50	>50	>50	>50
Freizone Datenträger in mm (b) Data carrier clear zone in mm	>150	>150	>150	>150	>150
Schreibabstand in mm Write distance in mm	0-100	0-110	0-125	11-95	11-75
Leseabstand in mm Read distance in mm	0-100	0-110	0-125	11-95	11-75
Versatz in mm bei Abstand von	0 ±50 5 ±50 11 ±50 15 ±50 20 ±50 25 ±50 30 ±50 35 ±50 40 ±50 45 ±50 50 ±50 55 ±50 60 ±50 75 ±45 85 ±45 95 ±45 100 ±45	±62 ±62 ±62 ±62 ±62 ±62 ±58 ±58 ±58 ±58 ±58 ±62 ±58 ±52 ±52 ±52 ±48	±65 ±65 ±65 ±65 ±65 ±65 ±65 ±65 ±65 ±62 ±62 ±62 ±62 ±62 ±62 ±58 ±58 ±58 ±58 ±52 ±52 ±52 ±48	±52 ±52 ±52 ±52 ±52 ±52 ±48 ±48 ±48 ±48 ±48 ±48 ±48 ±44 ±44 ±40	±50 ±50 ±50 ±50 ±50 ±50 ±42 ±42 ±42 ±42 ±42 ±35 ±35
Offset in mm at distance					



HF (13.56 MHz)

BIS M-411-067-001-04-S92

Order Code: BIS00W5

BALLUFF

BIS M-411-___

	BIS M-110-02/L	BIS M-111-02/L			
passende Datenträger Appropriate data carriers					
Abstand Datenträger zu Metall in mm (a) Data carrier distance to metal in mm	>25	>25			
Freizone Datenträger in mm (b) Data carrier clear zone in mm	>100	>100			
Schreibabstand in mm Write distance in mm	0-45	0-67			
Leseabstand in mm Read distance in mm	0-45	0-67			
Versatz in mm bei Abstand von	0 ±30	±40			
	5 ±30	±40			
	10 ±30	±40			
	15 ±28	±40			
	20 ±28	±40			
	25 ±28	±38			
	30 ±28	±38			
	35 ±25	±38			
	40 ±25	±38			
	45 ±10	±35			
	50	±35			
	55	±35			
	60	±35			
	67	±10			
	70				
	75				
	80				
	85				
	90				
	95				
	100				

