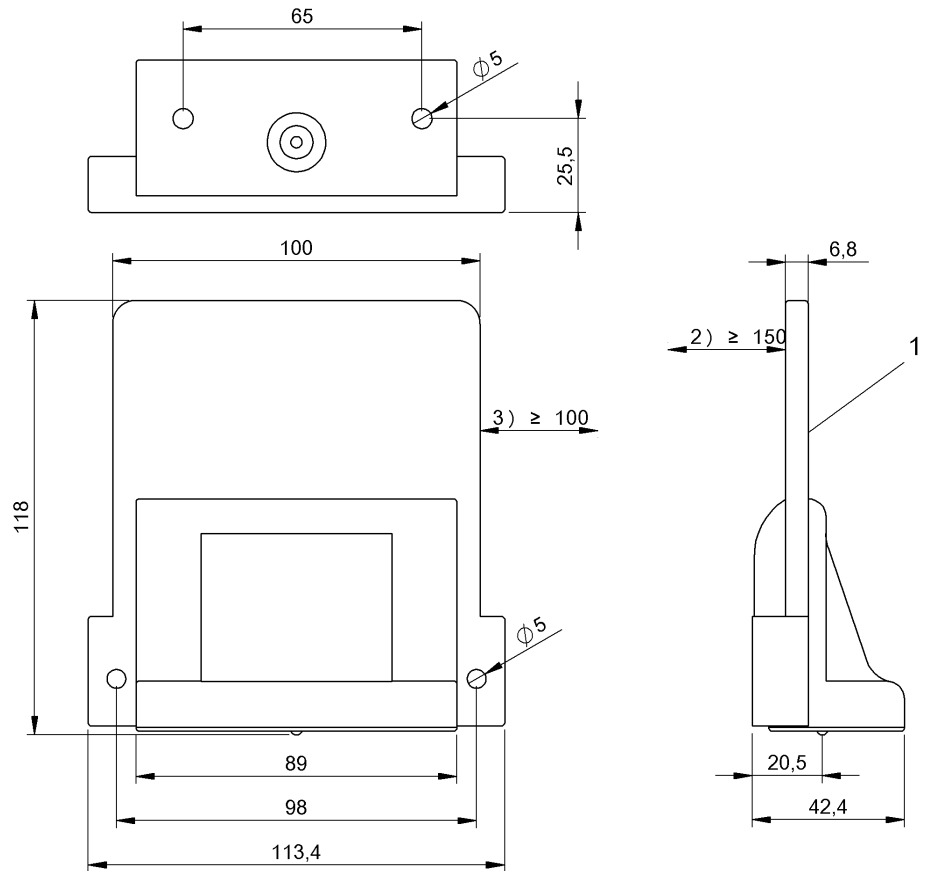


HF (13.56 MHz)
BIS M-371-000-A01
Order Code: BIS00WM

BALLUFF



- 1) Sensing surface
- 2) Clear zone
- 3) Clear zone surrounding



Basic features

Antenna type	round
Approval/Conformity	CE WEEE
Principle of operation	Read/write head

Electrical connection

Connection	RCA
------------	-----

Electrical data

Antenna gain	-36.6 dBi
Antenna impedance	50 Ohm
EN 300330-1	Power Class 5
Working frequency	13.56 MHz

Environmental conditions

Ambient temperature	-20...50 °C
Continuous shock load	yes
EN 60068-2-27, Shock	yes
EN 60068-2-32 Free fall	yes
EN 60068-2-6, Vibration	yes
IP rating	IP65
Storage temperature	-20...70 °C

Functional Characteristics

Supported data carrier types	DIN ISO 14443 DIN ISO 15693
------------------------------	--------------------------------------

Functional safety

MTTF (40 °C)	2010 a
--------------	--------

HF (13.56 MHz)
BIS M-371-000-A01
Order Code: BIS00WM



Material

Housing material PA

Mechanical data

Application weight 290.00 g
Dimension 113.4 x 42.4 x 118 mm
Installation metal-free (clear zone)

Remarks

Values are under rated conditions unless otherwise specified.

Only together with BIS M-62x or BIS VM-920x.

When using BIS VM-920 (BIS014N) + connection cable (BIS00WJ): Maximum read/write distance reduced by 10%.

For more information about MTTF and B10d see MTTF / B10d Certificate

Indication of the MTTF- / B10d value does not represent a binding composition and/or life expectancy assurance; these are simply experiential values with no warranty implications. These declared values also do not extend the expiration period for defect claims or affect it in any way.

Help Views

HF (13.56 MHz)

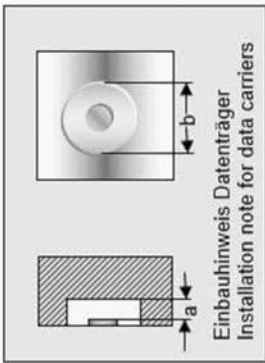
BIS M-371-000-A01

Order Code: BIS00WM

BALLUFF

BIS M-371-000-A01

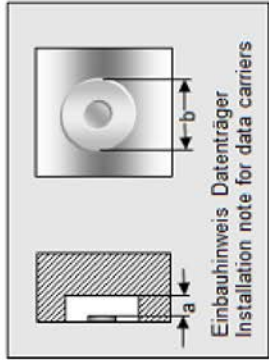
	BIS M-108-02/L *	BIS M-108-20/A *	BIS M-110-02/L *	BIS M-111-02/L *	BIS M-112-02/L *
passende Datenträger Appropriate data carriers					
Abstand Datenträger zu Metall in mm (a) Data carrier distance to metal in mm	>40	>40	>40	>40	>40
Freizone Datenträger in mm (b) Data carrier clear zone in mm	>230	>230	>220	>230	>250
Schreibabstand in mm Write distance in mm	0-110	0-100	0-70	0-120	0-150
Leseabstand in mm Read distance in mm	0-110	0-100	0-70	0-120	0-150
Versatz in mm bei Abstand von Offset in mm at distance	0 ±40 20 ±40 40 ±40 60 ±40 70 ±40 100 ±40 110 ±25 120 150	±40 ±40 ±40 ±40 ±40 ±25	±40 ±40 ±40 ±40 ±25	±40 ±40 ±40 ±40 ±40 ±40 ±25	±40 ±40 ±40 ±40 ±40 ±40 ±25



* nur in Verbindung mit BIS VM-920

BIS M-371-000-A01

passende Datenträger Appropriate data carriers	BIS M-132-03/L	BIS M-132-03/L- HT	BIS M-132-10/L- HT	BIS M-133-02/A	
Abstand Datenträger zu Metall in mm (a) Data carrier distance to metal in mm	>25	>25	>25	>40	
Freizone Datenträger in mm (b) Data carrier clear zone in mm	>230	>230	>230	>230	
Schreibabstand in mm Write distance in mm	0-100	0-100	0-40	0-70	
Leseabstand in mm Read distance in mm	0-100	0-100	0-40	0-70	
Versatz in mm bei Abstand von	0 ±75	±75	±30	±40	
	20 ±75	±75	±30	±40	
	30 ±75	±75	±30	±40	
	40 ±75	±75	±20	±40	
	50 ±70	±70		±40	
	70 ±70	±70		±25	
	100 ±25	±25			
Offset in mm at distance					



HF (13.56 MHz)

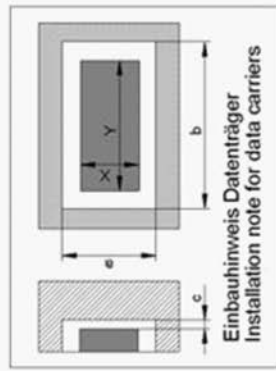
BIS M-371-000-A01

Order Code: BIS00WM

BALLUFF

BIS M-371-000-A01

	BIS M-136-03/L	BIS M-115-03/A
passende Datenträger Appropriate data carriers		
Freizone Datenträger in mm (a) Data carrier clear zone in mm	>250	>230
Freizone Datenträger in mm (b) Data carrier clear zone in mm	>330	>270
Abstand Datenträger zu Metall in mm (c) Data carrier distance to metal in mm	>40	>40
Schreibabstand in mm Write distance in mm	15-210	0-85
Leseabstand in mm Read distance in mm	15-210	0-85
Versatz in mm bei Abstand von	X Y	X Y
	25 ±75 ±75	±40 ±40
	50 ±75 ±75	±40 ±40
	70 ±75 ±75	±40 ±40
	85 ±75 ±75	±25 ±25
	100 ±75 ±75	
	140 ±75 ±75	
	175 ±75 ±75	
	200 ±75 ±75	
	210 ±25 ±25	
Offset in mm at distance		



* nur in Verbindung mit BIS VM-920