

IMC-B111ETB-RJ45

Industrial mini type extended media converter with 1x100Base-TX to 1xEthernet extender, RJ45 socket

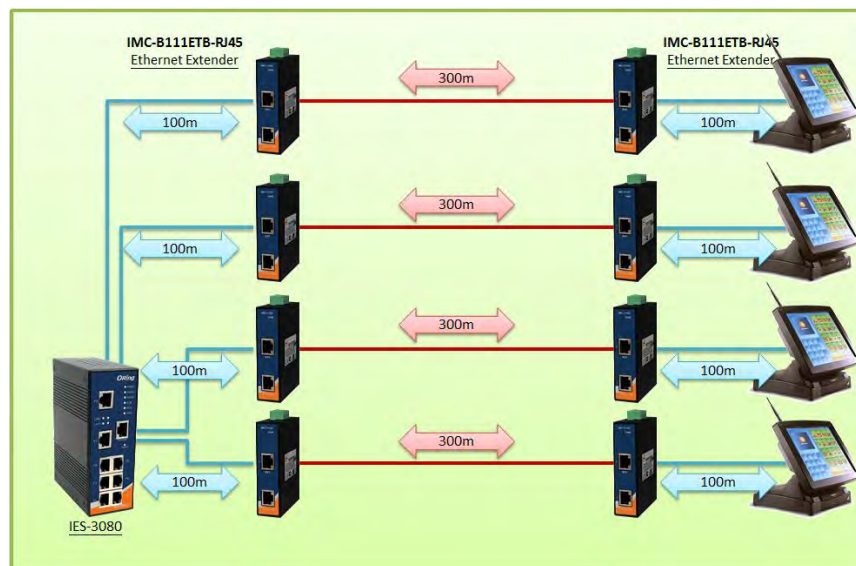
Features

- Extend Ethernet distance up to 300m (984 feet) over UTP cable or up to 200m (656 feet) over 24AWG none-UTP cable
- Support 2/4/8-wired auto detecting transmission
- Provided DIP-Switch to selecting Auto/Manual mode for Master/Slave setting
- Supports Auto mode to auto-negotiation for master/slave mode switching
- Ethernet port support full/half duplex operation
- Ethernet port support Auto MDI/MDI-X switching function
- Redundant 12~48VDC power inputs with Terminal Block
- Rigid IP-30 mini-type housing design
- DIN-Rail and wall mounting enabled



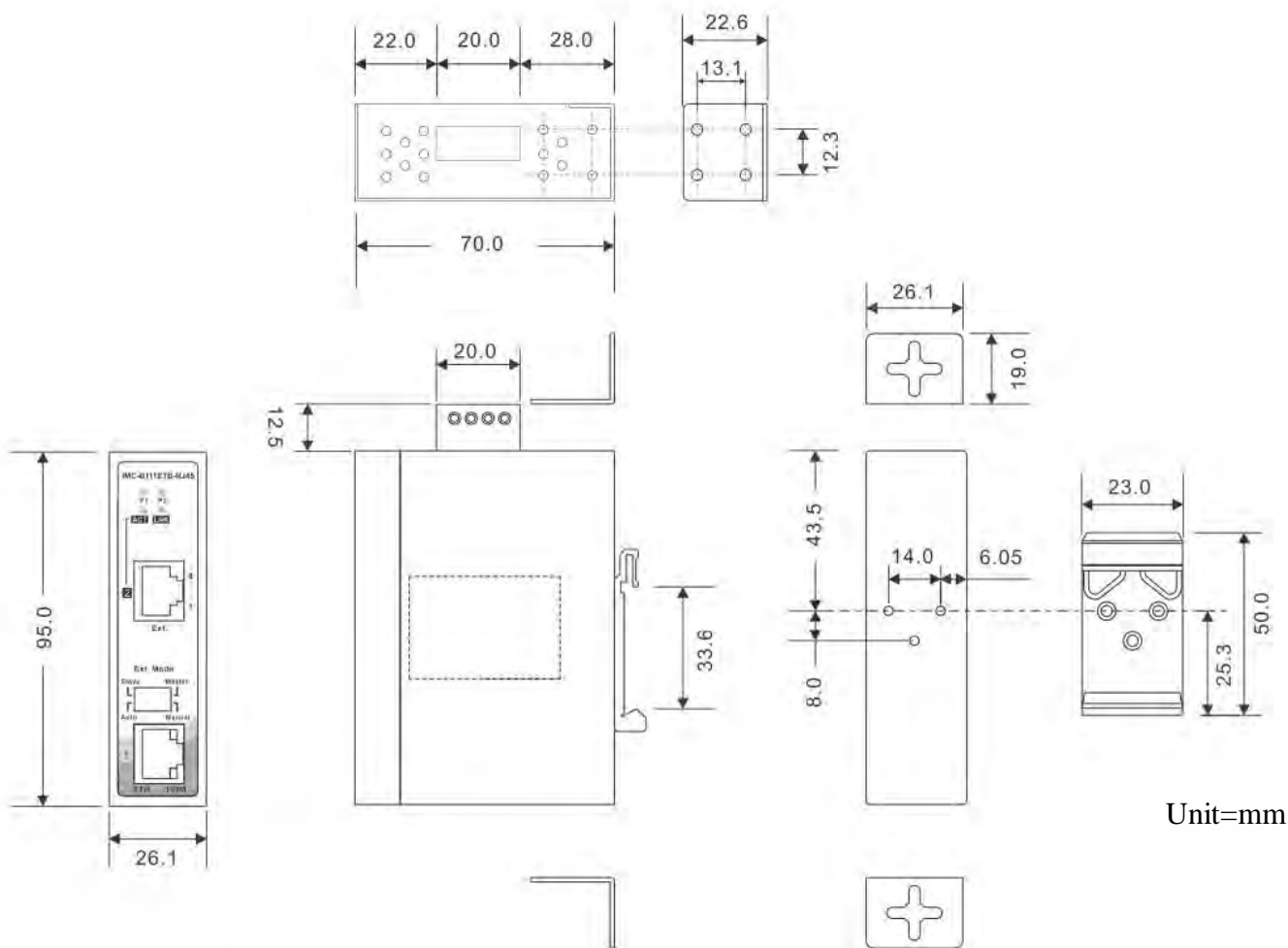
Introduction

IMC-B111ETB-RJ45 is a cost-effective solution for extending an Ethernet connection beyond its inherent distance limitation. IMC-B111ETB-RJ45 can extend the distance to 300 meters using a UTP cable or 200meters using a 24AWG cable. IMC-B111ETB-RJ45 supports 2/4/8-wired auto detecting transmission. IMC-B111ETB-RJ45 provides a wide operating temperature range from -40~75°C, making it suitable for harsh operating environments.



Connections of Media Converter

Dimension



Unit=mm

Specifications

| ORing Extended Converter Model | IMC-B111ETB-RJ45 |
|--|---|
| Physical Ports | |
| 100Base-TX Port in RJ45 Auto MDI/MDIX | 1 |
| 100Mbps Ethernet Extender Ports in RJ45 | 1 (support 2/4/8-wired auto detecting) |
| Technology | |
| Ethernet Standards | IEEE 802.3u for 100Base-TX |
| Processing | Store-and-Forward |
| LED Indicators | |
| Power indicator | Green : Power LED x 2 |
| 100Base-T(X) RJ45 Port Indicator | Green LED for Link indicator. Amber LED for Ack indicator |
| Ethernet Extender Indicator | Green LED for Link indicator. Amber LED for Ack indicator. |
| DIP-Switch | |
| DIP-Switch Setting | DIP-switch 1 for master/slave mode select : (On) Master mode, (Off) slave mode DIP-switch 2 for Auto/Manual mode select : (On) Manual mode ~ Extender need to manual setting master mode or slave mode follow the DIP-switch 1 setting (Off) Auto mode ~ Extender will be auto negotiation and auto setting master or slave mode |

| Power | |
|-----------------------------|--|
| Input power | Dual 12 ~ 48VDC power inputs. |
| Power consumption (Typ.) | 2 Watts |
| Overload current protection | Present |
| Physical Characteristic | |
| Enclosure | IP-30 |
| Dimension (W x D x H) | 26.1 (W) x 70 (D) x 95 (H)mm (1.03 x 2.76 x 3.74 inch) |
| Weight (g) | 242 g |
| Environmental | |
| Storage Temperature | -40 to 85°C (-40 to 185°F) |
| Operating Temperature | -40 to 75°C (-40 to 167°F) |
| Operating Humidity | 5% to 95% Non-condensing |
| Regulatory Approvals | |
| EMI | FCC Part 15, CISPR (EN55022) class A |
| EMS | EN61000-4-2 (ESD), EN61000-4-3 (RS), EN61000-4-4 (EFT), EN61000-4-5 (Surge), EN61000-4-6 (CS), EN61000-4-8, EN61000-4-11 |
| Shock | IEC60068-2-27 |
| Free Fall | IEC60068-2-32 |
| Vibration | IEC60068-2-6 |
| Safety | EN60950-1 |
| Warranty | 5 years |

Ordering Information

IMC-B111ETB-CCCC

| Code Definition | 100Base-T(X) Port Number | Ethernet Extender Port Number | Ethernet Extender Port Type |
|-----------------|--------------------------|-------------------------------|-----------------------------|
| Option | - 1: 1 port | - 1: 1 port | - RJ45: RJ45 Interface |

| Available Model | Model Name | Description |
|-----------------|------------------|--|
| | IMC-B111ETB-RJ45 | Industrial mini type extended media converter with 1x100Base-TX to 1xEthernet extender, RJ45 connector |

Packing List

- IMC-B111ETB-RJ45 x 1
- Quick Installation Guide x 1
- DIN-Rail Kit x 1
- Wall-mount Kit x 1

Optional Accessories

- DR-45 series : 45 Watts DIN-Rail power supply
- DR-75 series : 75 Watts DIN-Rail power supply
- DR-120 series : 120 Watts DIN-Rail power supply