

R15IF7T-OFC3

15" Intel® Core™ i3/i5/i7 (Coffee Lake Refresh) Open Frame Panel PC



KEY FEATURES

- 15" 1024 x 768 Resolution
- Intel® 9th Gen. Core™ i3/i5/i7 Processor (Coffee Lake Refresh)
- Flexible storage devices, one 2.5-inch HDD and one SSD
- Multiple I/Os, 2 x Serial Ports, 4 x USB 3.2 Gen. 1 Ports
- 12 V DC Power input
- DP Support 4096 x 2304 @ 60 Hz
- HDMI Support 4096 x 2304 @ 24 Hz

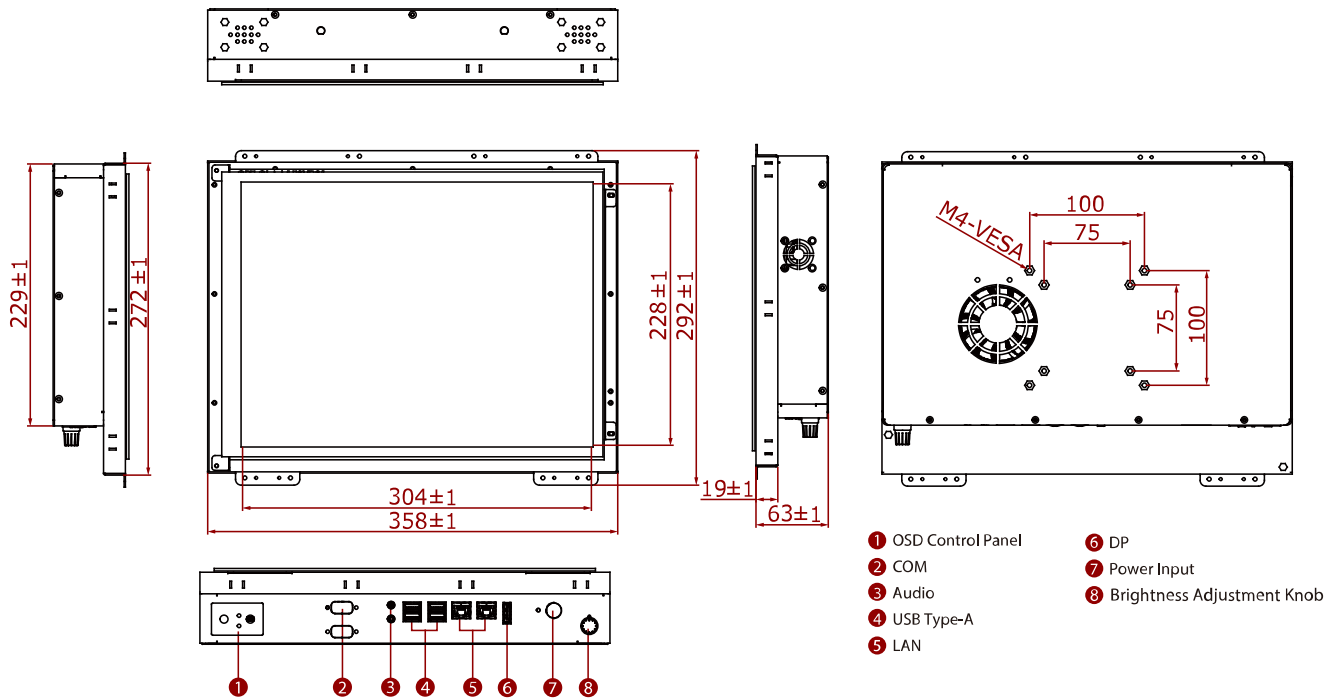


SPECIFICATIONS

| Display | | | |
|----------------------------|--------------------------------------------------------------------------------------------------------------------------------------------------------------|------------------------------|-----------------------------------------------------------------------------------------------------------------------------------------------------------------------|
| Resolution | 1024x768 | Size | 15 inches |
| Contrast Ratio | 2000:1 | Panel Brightness | 300 nits |
| View Angles | 88,88,88,88 | Active Area | 304.1x228.1 mm |
| Touch / Glass | Resistive Touch Screen Protection Glass Without Touch Function (Optional) | | |
| System Specification | | | |
| Processor | Intel® Core™ i7-9700TE (12M Cache, up to 3.80 GHz) Intel® Core™ i5-9500TE (9M Cache, up to 3.60 GHz) Intel® Core™ i3-9100TE (6M Cache, up to 3.20 GHz) | Chipset | Intel® Q370 |
| Memory | 1 x SO-DIMM, DDR4 2400 MHz, 4GB 8GB (Optional) 16GB (Optional) 32GB (Optional) 2 x SO-DIMM, up to 64GB (Optional) | Storage | 1 x M.2 2242 B-key SSD 64GB M.2 2242 B-key SSD up to 512GB (Optional) M.2 2280 M-Key NVME SSD, up to 4TB (Optional) 2 x SATA III support RAID 0,1 (Optional) |
| Ethernet controller | Intel® Ethernet Controller I211-AT + Intel® Ethernet Connection I219-LM | Security | TPM 2.0 |
| Operating System | Windows 10 IoT Enterprise (Optional) Linux Ubuntu 18.04 (Optional) | WLAN | Support (Optional) |
| BT | Support (Optional) | | |
| Mechanical | | | |
| Dimension | 357.6 x 291.6 x 63 mm | Mounting | Open Frame panel mount VESA Mount |
| Enclosure | Metal Housing | Cooling System | Fan design |
| Environment | | | |
| Operating Humidity | 10% to 90% (non-condensing) | Operating Temperature | 0~50°C |
| Storage Temperature | -10~60°C | | |
| Certification | | | |
| Certification | CE, FCC | | |

| IO Ports | | | |
|------------------------|------------------------------------------------------------------------------|-----------------------|---------------------------------------------------------------|
| Power Input | 1 x 12V DC, Din4 pin connector | USB Port | 4 x USB3.0 (Type-A) |
| Serial Port | 1 x RS232/422/485 (Default RS232) 1 x RS232 | Video | 1 x DP1.2 1 x HDMI 1.4 (Optional) |
| Audio | 1 x Mic in 1 x Line out 2 x Speaker | Expansion Port | 2 x M.2 slot(1 for WiFi, 1 for SSD) 1 x PCIe 16 (Optional) |
| LAN | 2 x Giga LAN RJ45 Connector | Indicator | 1 x LED Indicator for power 1 x LED Indicator for storage |
| Brightness Knob | 1 x Brightness Adjustment Knob | | |
| Control | | | |
| Button | 1 x Power Button 1 x Reset Button | | |
| Accessory | | | |
| Accessory | 100~240V AC to DC Adapter Power Cord Driver CD & Manual VESA screws | | |
| Power | | | |
| Power Rating | 12V DC (Lockable Power Jack) | Adapter | 12V 120W |

DIMENSIONS UNIT:MM



V. 202111011021. 202108030448

NOTE

1. Measurements shown in mm
2. Tolerance of all dimensions is shown as follow 0~30 mm ± 0.1 mm, 30~50 mm ± 0.15 mm, 50~120 mm ± 0.2 mm, above 120 mm ± 0.25 mm
3. Note: this is a simplified drawing and some components are not marked in detail.
4. The product shown in this datasheet is a standard model. For diagrams that contain customized or optional I/O, please contact the Winmate Sales Team for more information.