

UTC-515K

15.6" Ubiquitous Touch Computer UTC-515K with Intel® Atom® N97/i3-N305



DeviceOn/iService

Features

- Low-power, fanless system design
- Built-in Intel® Atom N97
- 15.6" monitor with 16:9 widescreen display
- IP65-rated front panel for water and dust resistance
- All-in-one aluminum extrusion design
- Supports both landscape and portrait screen orientations
- VESA 100 mm standard mounting holes for varied mounting demands
- Side groove design for integrating peripherals
- Support DeviceOn/iService software for remote device management
- Supports TPM 2.0



Introduction

UTC-515 is an all-in-one computer with an Intel® Atom N97 processor, widescreen LCD touch panel, and side groove design for integrating optional peripherals. Designed for diverse self-service, content broadcasting, and interactive signage applications, UTC-515 systems can be deployed in a wide range of usage scenarios for enhancing customer satisfaction, furthering brand equity, and maximizing business profits. Advantech's DeviceOn/iService is a next-generation unified device management solution based on the WISE-DeviceOn platform. Moreover, Advantech DeviceOn/iService Software is a next-generation unified device management solution based on the WISE-DeviceOn platform. With support for batch operations and multi-device control, DeviceOn/iService enables easy device configuration and deployment for convenient remote device management.

Specifications

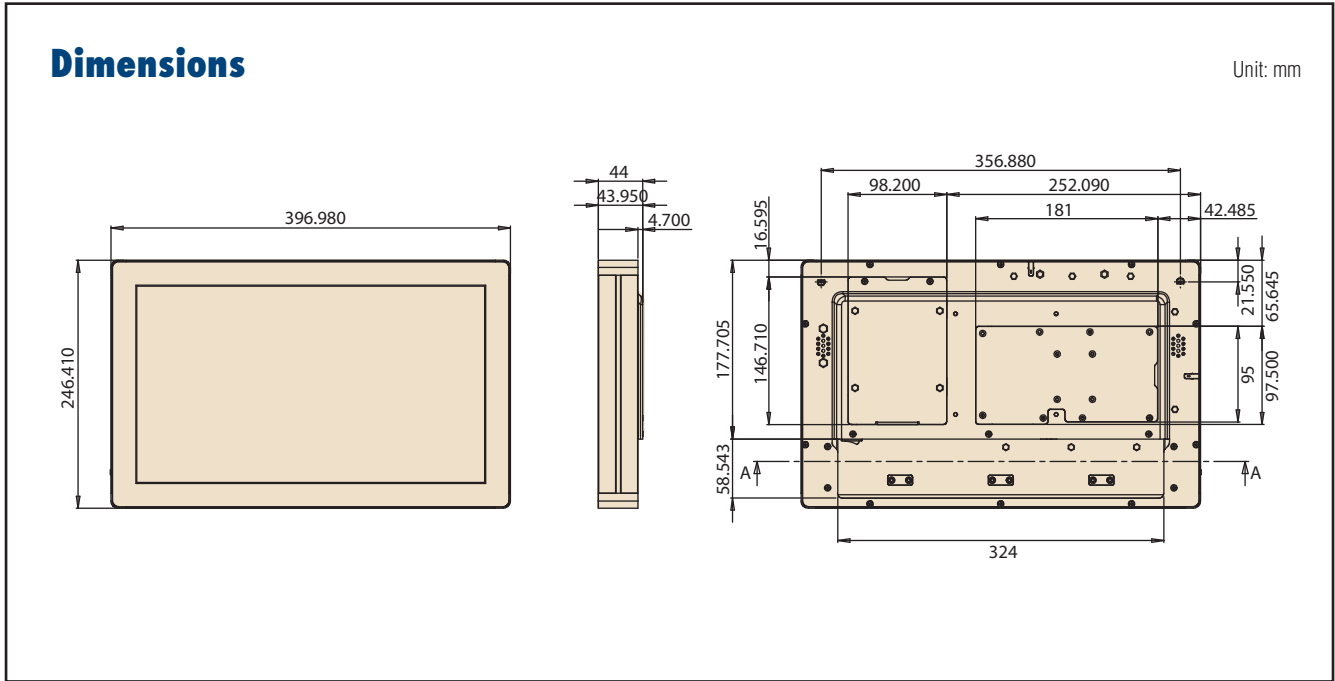
| Model | UTC-515K | | |
|------------------------|---|--|---|
| System | CPU | Intel Atom N97 Intel Atom i3-N305 | |
| | Base Frequency | N97: 3.6 GHz (4 cores) i3: 3.8 GHz (8 cores) | |
| | Cache | L3 Cache 6MB | |
| | Memory | 1 x 262 pin so DIMM DDR5-4800 up to 16GB | |
| | SSD | 1 x 2.5 internal SATA SSD bay | |
| | I/O | | 2 x RJ-45, Intel i226-V (10/100/1000/2500 Mbit/s) 1 x HDMI (up to 4096 x 2160 x 24bpp@48-60Hz) 1 x USB Type C |
| | | | 1 x Audio Jack 2 x USB 3.0 2 x USB 2.0 2 x RS-232/422/485, max. 1Mbps 2 x Antenna port (optional) |
| | | Stereo Speaker | 2 x 2W |
| | | Expansion | 1x M.2 2280/2242 M-Key for NVMe (PCIe Gen3)/SATA SSD 1x M.2 2230 E-Key |
| Mechanical | Mount Options | VESA 100 x 100 mm, M4*6L | |
| | Dimensions (W x H x D) | 396.98 x 246.41 x 44 mm | |
| | Weight | 4.85 kg (10.67 lb) | |
| Board Features | Watchdog Timer | 65536 intervals, 0 ~ 65535 sec | |
| | TPM | TPM2.0 | |
| Operating System | Windows 10/11 IoT Enterprise Android 14 Linux | | |
| Environmental | Operating Temperature | 0 ~ 40 °C/32 ~ 104 ° F with 0.7 m/s air flow | |
| | Relative Humidity | 95% @ 40 °C/104 °F, non-condensing | |
| | Shock | Operating 10G peak acceleration (11ms duration), follow IEC 60068-2-27 | |
| | Vibration | Operating Random Vibration Test 5 ~ 500Hz, 2Grms @with SSD | |
| | EMC/Safety | CE (RED Compliance), EN 61000-6-2: 2005 /AC: 2005, FCC, UL, CB, CCC, BSMI, ErP | |
| Front Panel Protection | IP65 rated/NEMA4 compliant | | |

Specifications (Cont.)

| | | |
|--|------------------------------------|---|
| Power Supply | Input Voltage | 12V |
| | Power Consumption | Typical 40W Max 50W |
| | Adapter | 12V, 7A (84W ITE adapter) |
| LCD Display | Size/Type | 15.6" TFT LCD with LED backlight |
| | Max.Resolution | 1920 x 1080 |
| | Max. Color | 262K |
| | Pixel Pitch (H x V) | 252(H) x 252(V) |
| | Brightness | 220 nits (Optional 400 nits) |
| | Viewing Angle | 90°/60° (170°/170° optional) |
| Touchscreen (PE/RE) | Type | Projected capacitive, Single point Analog Resistive 5-wires touch |
| | Light Transmission | 88% ± 2% |
| | Controller | USB interface |
| DeviceOn/iService Remote Device Management | Operating System | Windows 10 |
| | Common Controls (Reboot, Shutdown) | ✓ |
| | Remote desktop | ✓ (VNC) |
| | Audio Controls | ✓* |
| | Connection Status | ✓ |
| | Hardware Status | ✓* |
| | Hard Disk Status | ✓* |
| | Batch Operation Support | ✓ |
| | OTA Storage Management | FTP |
| | OTA Software Updates | ✓ |
| | Software Watchlist | ✓ |
| | Software Start/Stop | ✓* |
| | Peripherals Watchlist | ✓* |

*Dependant on device model

Note: DeviceOn/iService software must be downloaded from the Advantech website at <https://www.advantech.com/search?q=DeviceOn%2FiService&st=support&sst=Utility>



Ordering Information

| Part Number | Description |
|-----------------|--|
| UTC-515KP-ATB0E | 15.6" 7H PCT.T/S with Intel® Atom N97, 8GB RAM, IT Adapter |
| UTC-515KR-ATB0E | 15.6" Resi. T/S with Intel® Atom N97, 8GB RAM, IT Adapter |
| UTC-515KP-ATB1E | 15.6" 7H PCT.T/S with I3-N305, 8GB RAM, IT Adapter |
| 1702002600 | Power Cord 3P UL/CSA(USA) 125V 10A 1.83M 180D |
| 1702002605 | Power Cord 2P FRANCE 10A/16A 220V 1.83M 90D |
| 1700000596-11 | Power cable, CCC, 3P, 10A, 250V, 183 cm (China) |
| 1700032693-11 | Power cable, BSI, 2P, 10A, 250V, 180 cm (UK) |
| 1960120429N001 | I/O cover for UTC-515K |

Peripherals for UTC-500 Series

| Part No. | Description |
|-------------|---|
| UTC-P01-A1E | 5M Camera Module For UTC-5XX (USB connection) |
| UTC-P02-A0E | Magnet Strip Reader For UTC-5XX (USB connection) |
| UTC-P03-A1E | RFID Reader For UTC-5XX (USB connection) |
| UTC-P06-A2E | Smart Card Reader For UTC-5XX (USB connection) |
| UTC-P07-A4E | 2D Barcode Module (Honeywell) for UTC-500 Series (USB connection) |
| UTC-P09-A0E | Fingerprint reader for UTC-5xx (USB connection) |

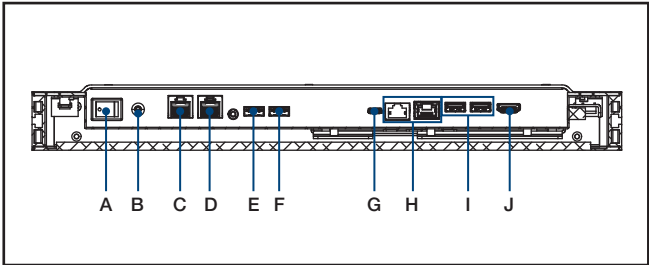
Optional Accessories

| Part No. | Description |
|--------------------|---|
| 96PD-00824 | UTK-700 Desktop Stand (w/o Printer) |
| 96PD-00825 | UTK-700 Extension Tower (For 96PD-00824 only) |
| UTC-520-STAND1E | Desktop stand for UTC-515/520 |
| UTC-H01-STANDE | H-shaped floor stand |
| ARES-2424X-S170201 | Table Stand, 100x100/75x75 |
| ARES-12250-L101000 | Wall Mount, 75/100mm |

UTC-515K WiFi Ordering Information

| Part No. | Description |
|--------------|--|
| UTC-WIFI-A7E | AIW-170BQ, 802.11ax/ac/b/g/n, BT5.2, QCA6856, 2T2R, M.2 2230 |

Fully- Integrated I/O



- A. Power Switch
- B. DC Power Jack
- C. COM 2
- D. COM 1
- E. Audio Jack
- F. USB 2.0 x 2
- G. USB type c
- H. LAN Port x 2
- I. USB 3.0 x 2
- J. HDMI

DeviceOn/iService

Unified Remote Device Management Software



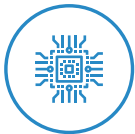
Features

- Supports Advantech devices equipped with Windows, Android, and Linux OS
- Flexible device, location, user, and permissions management
- Enables remote monitoring and control of hardware, software, and peripherals
- Supports over-the-air (OTA) firmware and software updates
- Ensures quick, easy, and secure device onboarding
- RESTful APIs for third-party system integration

Introduction

Advantech's DeviceOn/iService is a next-generation unified device management solution based on the WISE-DeviceOn platform. Designed to enable centralized monitoring and remote management, DeviceOn/iService supports Advantech devices equipped with Windows, Linux, or Android operating systems. The software also supports the management of applications and integrated peripherals, such as a barcode scanner, card reader, camera, and printer. Users can remotely access and control connected devices, take screenshots, rollout OTA upgrades, and use remote desktop capabilities for troubleshooting from any location at any time. Moreover, DeviceOn/iService supports batch operations to facilitate the management of multiple devices simultaneously for easy and convenient device configuration and deployment.

Total Management



Devices & Hardware

- Windows, Linux, Android
- Hardware, storage, battery



Software & Peripherals

- Software monitoring & access
- Screens, USB devices, printers



Open for Expansion

- Peripheral integration
- Open APIs for integration

Remote Access



Real-Time Monitoring

- Connection/hardware status
- Software/peripheral status
- Failure notifications



Remote Controls

- Power controls
- Audio, backlight controls
- Software controls



Troubleshooting

- Screenshots
- Remote desktop support

Operational Efficiency



OTA updates

- System/software updates
- File repository management
- App store



Batch Controls

- 1-to-many batch reboot, etc.
- Time-saving tasks



Setup Booster

- Software/peripheral watchlist
- Roles, rule templates

Note: Some functions may vary according to the product

System Architecture

