

# S101NT

10.1" Edge-AI Rugged Tablet with NVIDIA Jetson Orin Nano



CE

FC

## KEY FEATURES

- Edge-AI Rugged Tablet with NVIDIA Jetson Orin Nano
- 1920 x 1200 WUXGA with PCAP touch
- Sunlight readable with anti-glare solution
- IP65 water and dust proof with MIL-STD-810H rugged housing
- 2MP Webcam , 8MP Rear Camera
- Removable battery with hotswap function for all day productivity
- Ethernet thru Giga LAN (RJ45)
- Expansion port for add-on modules

## INTRODUCTION

The S101NT is a premium 10.1-inch rugged tablet purpose-built for harsh environments and forward-looking edge computing. Powered by the NVIDIA Jetson Orin Nano, it brings superior AI inference performance directly to a highly mobile device. Whether executing complex robotic controls under direct sunlight, performing real-time machine vision, or collecting data in extreme conditions, the S101NT delivers. Combining military-grade ruggedness with hot-swap battery technology, it ensures all-day productivity for demanding AI applications.

## SPECIFICATIONS

### Display

Resolution	1920x1200	Size	10.1 inches
Contrast Ratio	800:1	Panel Brightness	800.0 nits
View Angles	85,85,85,85	Bonding	Optical Bonding for Sunlight Viewability
Type	Projected Capacitive Multi Touch	Viewability	Anti-Glare touch treatment
Touch Mode	Support Hand/Rain, Stylus, Glove Mode		

### System Specification

Processor	NVIDIA Jetson Orin Nano 8GB	Memory	8GB on Orin Nano SOM
Storage	128GB SSD (Default) 256GB SSD (Optional) 512GB SSD (Optional) 1TB SSD (Optional) 2TB SSD (Optional)	Security	Trusted Platform Module (TPM) 2.0 Kensington Lock
Operating System	Jetpack 6.2 Operating System	WLAN	Support
BT	Support	WWAN	4G (Optional) 5G (Optional)
GNSS	GPS, GLONASS	Sensors	Light sensor/ G-sensor / Gyro

### Camera

Front Camera	2MP Front Camera	Rear Camera	8MP Rear Camera
--------------	------------------	-------------	-----------------

### Mechanical

<b>Dimension</b>	272 x 192 x 25 mm	<b>Weight</b>	1.1 kg
<b>Cooling System</b>	Fan Design		

### IO Ports

<b>USB Port</b>	1 x USB 3.0 (Type A), 1 x USB 3.0 (Type-C support Power Delivery 20W In)	<b>SD Card Slot</b>	1 x Micro SDXC slot
<b>SIM Card Slot</b>	1 x Nano SIM card slot	<b>Audio</b>	1 x Audio combo 3.5mm audio combo jack (Mic in or Line Out) Dual Mic Built-in Microphone Single Speaker
<b>Expansion Port</b>	1 x Expansion Connector for USB3.0 / UART (Optional)	<b>LAN</b>	1 x RJ45-10/100/1000 GigaLAN port
<b>Indicator</b>	2x LED Indicator for Power, Battery	<b>Docking Connector</b>	1 x 19-pin docking connector

### Environment

<b>Operating Humidity</b>	10% to 90% RH, non-condensing	<b>Operating Temperature</b>	-20°C to 60°C
<b>Storage Temperature</b>	-30°C to 70°C (-22°F to 158°F)	<b>Shock</b>	MIL-STD-810H Method 516.8 Procedure I
<b>Vibration</b>	MIL-STD-810H Method 514.8 Procedure I	<b>IP rating</b>	IP65
<b>Drop</b>	MIL-STD-810H Method 516.8, 4 ft		

### Certification

<b>Certification</b>	CE, FCC
----------------------	---------

### Security Function

<b>SOTI MobiControl</b>	SOTI MobiControl Compliance	<b>Kensington Lock</b>	Kensington Lock Support
-------------------------	-----------------------------	------------------------	-------------------------

### Control

<b>Button</b>	1 x Power 2 x Programmable function Keys
---------------	---

### Power

<b>Battery</b>	Hot-swappable 11.4V, typ. 3500 mAh Li-Ion Re-chargeable Battery (3S1P) 11.4V, typ. 4750 mAh Li-Ion Re-chargeable Battery (3S1P) (Optional)	<b>Power Rating</b>	19V DC
<b>Adapter</b>	100-240V, 50-60Hz / 19V DC		

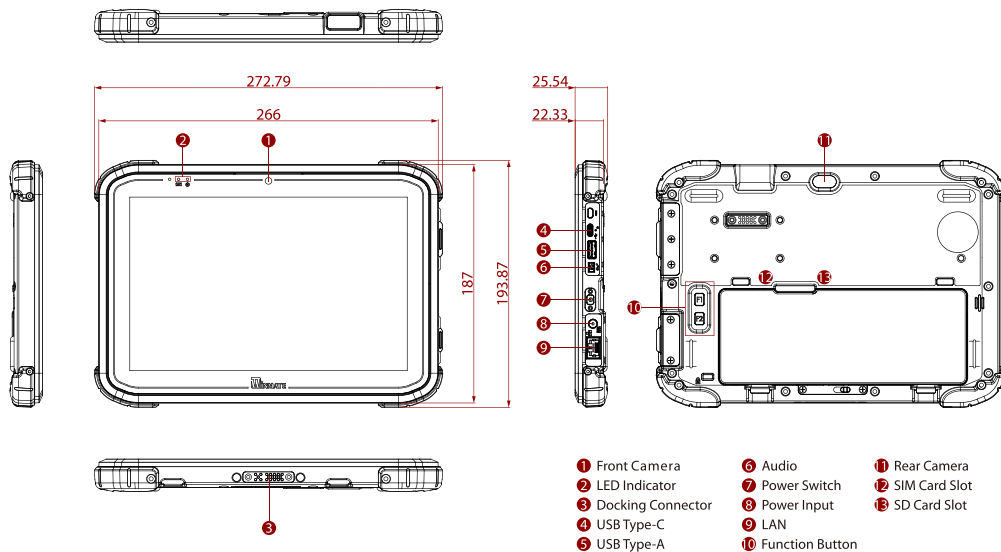
### Accessory

<b>Accessory</b>	Adapter and Power Cord Standard Battery	<b>Optional Accessory</b>	Vehicle Charger (Optional) Vehicle Dock (Optional) Desk Dock (Optional) Battery Charger (Optional) Hand Strap (Optional) Shoulder Strap (Optional) Carry Bag (Optional) Stylus (Optional)
------------------	--	---------------------------	--

### Barcode Scanner

<b>Barcode Scanner</b>	1D/2D barcode reader (Optional)
------------------------	---------------------------------

## DIMENSIONS UNIT:MM



## NOTE

1. This is a simplified drawing, and some components are not marked in detail.
2. Please contact our sales representative if you need further product information.
3. All specifications are subject to change without prior notice.
4. The product shown in this datasheet is a standard model. For diagrams that contain customized or optional I/O, please contact the Winmate Sales Team for more information.