

IoT A+ Server AS -2115HE-FTNR

2U Hyper-E with single AMD EPYC™ 9004/9005 series processor, 6 hot-swap 2.5" drive bays and up to 4 PCIe 5.0 x16 slots



Key Applications

Virtualization, Scientific Virtualization, AI Inference and Machine Learning, Cloud Computing, Enterprise Server,

Key Features

- Single AMD EPYC™ 9004/9005* Series Processor (*AMD EPYC™ 9005 series drop-in support requires board revision 2.x);
- Support for up to 3 double-width PCIe GPU accelerator cards;
- Up to 24 DIMMs supporting up to 3TB DDR5-4800 in 1DPC or 6TB DDR5-4000 in 2DPC or 3TB DDR5-5200 in 1DPC or 6TB DDR5-4400 in 2DPC;
- Flexible networking with up to 2 PCIe 5.0 x16 OCP 3.0 compatible AIOM slots
Optional PCIe slot configurations up to 5 PCIe 5.0 x8 FHFL and 3 PCIe 4.0 x8 FHFL or 3 PCIe 5.0 x16 FHFL and 1 PCIe 4.0 x16 FHFL slots with support for double-width GPU/Accelerator cards;
- 6 Rear hot-swap 2.5" NVMe drive bays;
- Redundant 2000W Titanium level AC power supplies;
- 2U Rackmount chassis with 22.6" (574mm) depth;



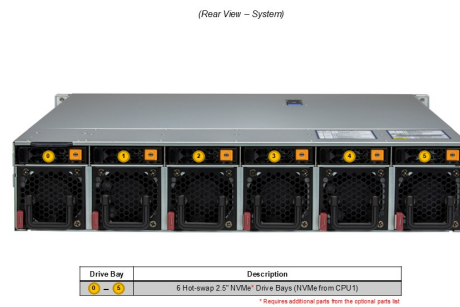
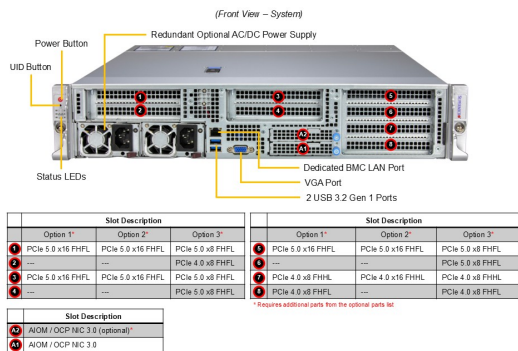
Form Factor	2U Rackmount Enclosure: 436.88 x 88.9 x 574mm (17.2" x 3.5" x 22.6") Package: 598 x 247 x 938mm (23.5" x 9.7" x 36.9")
Processor	Single processor(s) AMD EPYC™ 9005/9004 Series Processors Up to 160C/320T
GPU	Max GPU Count: Up to 3 double-width or 4 single-width GPUs CPU-GPU Interconnect: PCIe Gen5 x16 GPU-GPU Interconnect: PCIe
System Memory	Slot Count: 24 DIMM slots/12 Channels Max Memory (1DPC): Up to 3TB 5200MT/s ECC DDR5 RDIMM (AMD EPYC™ 9005 Series Processor) Max Memory (2DPC): Up to 6TB 4400MT/s ECC DDR5 RDIMM (AMD EPYC™ 9005 Series Processor) Max Memory (1DPC): Up to 3TB 4800MT/s ECC DDR5 RDIMM (AMD EPYC™ 9004 Series Processor) Max Memory (2DPC): Up to 6TB 4000MT/s ECC DDR5 RDIMM (AMD EPYC™ 9004 Series Processor)
Drive Bays Configuration	Default: Total 6 bays <ul style="list-style-type: none"> • 6 rear hot-swap 2.5" PCIe 5.0 x4 NVMe drive bays M.2: 1 M.2 PCIe 3.0 x4 NVMe slot (M-key 22110(default)/2280) 1 M.2 PCIe 3.0 x2 NVMe slot (M-key 22110(default)/2280)
Expansion Slots	PCI-Express (PCIe) Configuration: Option A* <ul style="list-style-type: none"> • 2 PCIe 5.0 x16 (in x16) AIOM slots (OCP 3.0 compatible) • 3 PCIe 5.0 x16 (in x16) FHFL slots • 2 PCIe 4.0 x8 (in x16) FHFL slots Option B* <ul style="list-style-type: none"> • 2 PCIe 5.0 x16 (in x16) AIOM slots (OCP 3.0 compatible) • 3 PCIe 5.0 x16 (in x16) FHFL slots • 1 PCIe 4.0 x16 (in x16) FHFL slot Option C <ul style="list-style-type: none"> • 2 PCIe 5.0 x16 (in x16) AIOM slots (OCP 3.0 compatible) • 5 PCIe 5.0 x8 (in x16) FHFL slots • 3 PCIe 4.0 x8 (in x16) FHFL slots M.2: 1 M.2 PCIe 3.0 x4 slot (M-key 22110(default)/2280) 1 M.2 PCIe 3.0 x2 slot (M-key 22110(default)/2280) PCI: 8 PCI 5V 32-bit slots
On-Board Devices	Chipset: System on Chip Network Connectivity: Via AIOM

Input / Output

LAN: 1 RJ45 1 GbE Dedicated BMC LAN port

USB: 2 USB 3.0 Type-A ports(Front)

Video: 1 VGA port



System Cooling	Fans: Up to 6x 6cm heavy duty fans with optimal fan speed control Air Shroud: 1 Air Shroud
Power Supply	2x 2000W Redundant (1 + 1) Titanium (certification pending) Level (96%) Hot-plug power supplies
System BIOS	BIOS Type: AMI 32MB SPI Flash EEPROM BIOS Features: ACPI 6.4 Plug and Play (PnP) SMBIOS 3.5 or later UEFI 2.8 USB Keyboard support
Management	SuperCloud Composer®; Supermicro Server Manager (SSM); Supermicro Update Manager (SUM); Supermicro SuperDoctor® 5 (SD5); Super Diagnostics Offline (SDO); Supermicro Thin-Agent Service (TAS); OOB Management Package (SFT-OOB-LIC); SuperServer Automation Assistant (SAA) New!
PC Health Monitoring	FAN: Fans with tachometer monitoring Pulse Width Modulated (PWM) fan connectors Status monitor for speed control Temperature: Monitoring for CPU and chassis environment Thermal Control for fan connectors Voltage: System temperature, Memory temperature, CPU temperature, 3.3V standby, +5V standby, +5V, +3.3V, +12V, CPU thermal trip support
Dimensions and Weight	Weight: Gross Weight: 47.4 lbs (21.5 kg) Net Weight: 34.4 lbs (15.6 kg) Available Color: Silver
Operating Environment	RoHS Compliant Operating Temperature: 10°C to 35°C (50°F to 95°F) Non-operating Temperature: -40°C to 70°C (-40°F to 158°F) Operating Relative Humidity: 8% to 90% (non-condensing) Non-operating Relative Humidity: 5% to 95% (non-condensing)
Motherboard	Super H13SSH-E
Chassis	CSE-HE211-R000NFP-A