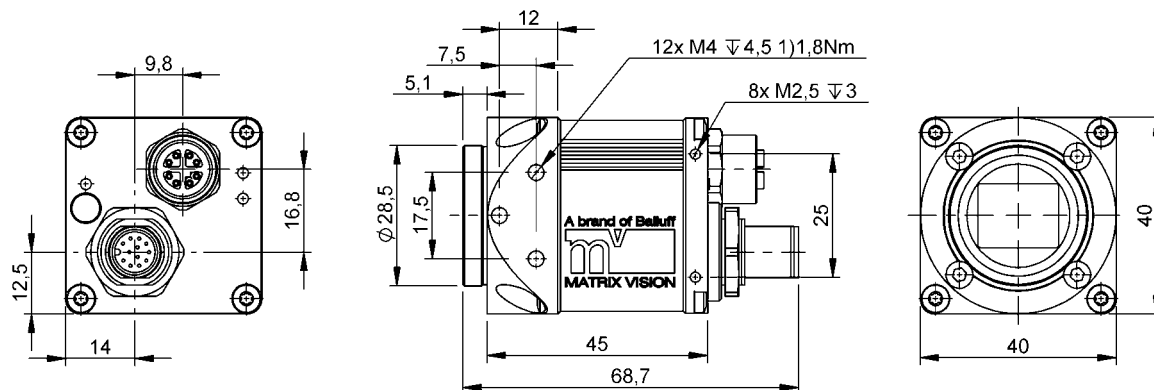


Machine Vision  
**BVS CA-GX0-0016ZG-112C41-XAS2**  
 Order Code: BVS003A



1) Tightening torque



**Basic features**

|                            |   |
|----------------------------|---|
| <b>Approval/Conformity</b> | CE<br>cULus<br>EAC<br>WEEE                          |
| <b>Chroma</b>              | Monochrome  |
| <b>Frame rate</b>          | max. 75 fps   |
| <b>Image resolution</b>    | 1.6 MP (1456 x 1088 pixels)                         |
| <b>Pixel size</b>          | 3.45 x 3.45 $\mu$ m                                 |
| <b>Sensor chip</b>         | Sony IMX273   |
| <b>Sensor type Vision</b>  | 1/2.9" global shutter CMOS                          |
| <b>Standards</b>           | IEEE 802.3af<br>EMVA 1288<br>GigE Vision<br>GenICam |
| <b>Version</b>             | GigE Vision industrial camera                       |

**Electrical connection**

|                                    |   |
|------------------------------------|---|
| <b>Connection 1</b>                | GigE-Bus: M12x1-Female, 8-pin, X-coded  |
| <b>Connection 2</b>                | Power / IO: M12x1-Male, 12-pin, A-coded |
| <b>Polarity reversal protected</b> | yes                                     |
| <b>Short-circuit protection</b>    | yes                                     |

**Electrical data**

|                             |                 |
|-----------------------------|-----------------|
| <b>Current draw max.</b>    | 500 mA          |
| <b>Operating voltage Ub</b> | 11...25 VDC PoE |

**Environmental conditions**

|                                |   |
|--------------------------------|---|
| <b>Ambient temperature</b>     | 0...45 °C                                       |
| <b>EN 60068-2-27, Shock</b>    | 100 G, half-sine, 1000 pos., 1000 neg., X, Y, Z |
| <b>EN 60068-2-6, Vibration</b> | 15 G, 10 - 500 Hz, 5h X, Y, Z                   |
| <b>IP rating</b>               | IP67  |
| <b>Relative humidity</b>       | 20...80%  |
| <b>Storage temperature</b>     | -20...60 °C                                     |

**Functional Characteristics**

|                      |  |
|----------------------|--|
| <b>Binning</b>       | 1x1, 2x2, 4x4, 8x8, 16x16  |
| <b>Data storage</b>  | 64 MB  |
| <b>Decimation</b>    | 1x1, 2x2, 4x4, 8x8, 16x16  |
| <b>Exposure time</b> | 10 $\mu$ s...20 s  |
| <b>Filter</b>        | Cover glass  |
| <b>Image formats</b> | Mono8<br>Mono10<br>Mono12<br>Mono14<br>Mono16<br>Mono12Packed<br>Mono12p |
| <b>MTTF (40 °C)</b>  | 11.7 a   |
| <b>Trigger mode</b>  | Free run<br>Hardware trigger<br>Software trigger                         |

**Machine Vision**  
**BVS CA-GX0-0016ZG-112C41-XAS2**  
**Order Code: BVS003A**



**Material**

|   |                                     |
|---|-------------------------------------|
| <b>Housing material</b>                     | Aluminum, Powder coated,<br>Painted |
| <b>Housing material, surface protection</b> | Powder coated<br>Painted            |

**Mechanical data**

|                   |                   |
|-------------------|-------------------|
| <b>Dimension</b>  | 40 x 40 x 68.7 mm |
| <b>Lens mount</b> | C-Mount           |
| <b>Weight</b>     | 140 g             |

**Output/Interface**

|                        |                              |
|------------------------|------------------------------|
| <b>Digital inputs</b>  | 4x PNP galvanically isolated |
| <b>Digital outputs</b> | 4x PNP galvanically isolated |
| <b>Interface</b>       | Gigabit Ethernet, POE        |

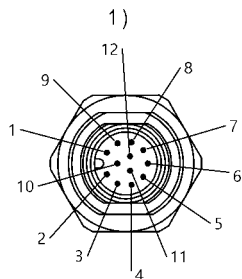
**Remarks**

Not included in the scope of delivery: camera lens, filter, light, connection cable – see [www.balluff.com](http://www.balluff.com)

For more information about MTTF and B10d see MTTF / B10d Certificate

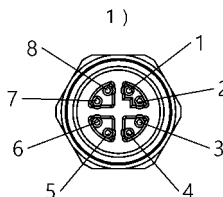
Indication of the MTTF- / B10d value does not represent a binding composition and/or life expectancy assurance; these are simply experiential values with no warranty implications. These declared values also do not extend the expiration period for defect claims or affect it in any way.

**Connector Drawings**



1) View towards connector  
 2) Male 12-pin/ Function

- 2) Power-I/O
- 1 — PWR\_IN
  - 2 — GND
  - 3 — DigOut3
  - 4 — Opto DigIn0
  - 5 — DigOut2
  - 6 — DigOut0
  - 7 — Opto DigIn\_GND
  - 8 — Opto DigIn2
  - 9 — Opto DigIn3
  - 10 — DigOut\_PWR\_IN
  - 11 — Opto DigIn1
  - 12 — DigOut1



1) View towards connector  
 2) Socket 8-pin/ Function

- 2) GigE LAN
- 1 — BI \_DA+
  - 2 — BI \_DA-
  - 3 — BI \_DB+
  - 4 — BI \_DB-
  - 5 — BI \_DD+
  - 6 — BI \_DD-
  - 7 — BI \_DC-
  - 8 — BI \_DC+