

W24L100-MRA1HB

24" Marine High Brightness Display



KEY FEATURES

- Dimming knob control backlight brightness from nearly 0% to 100%
- High Brightness technology enhance visibility
- IP66 aluminum housing with powder coating design (IP54 rear)
- 24V DC Isolated Power Module
- High quality touchscreen / AR protection glass for option
- Ease of use front panel OSD control
- Enhanced shock and vibration resistance

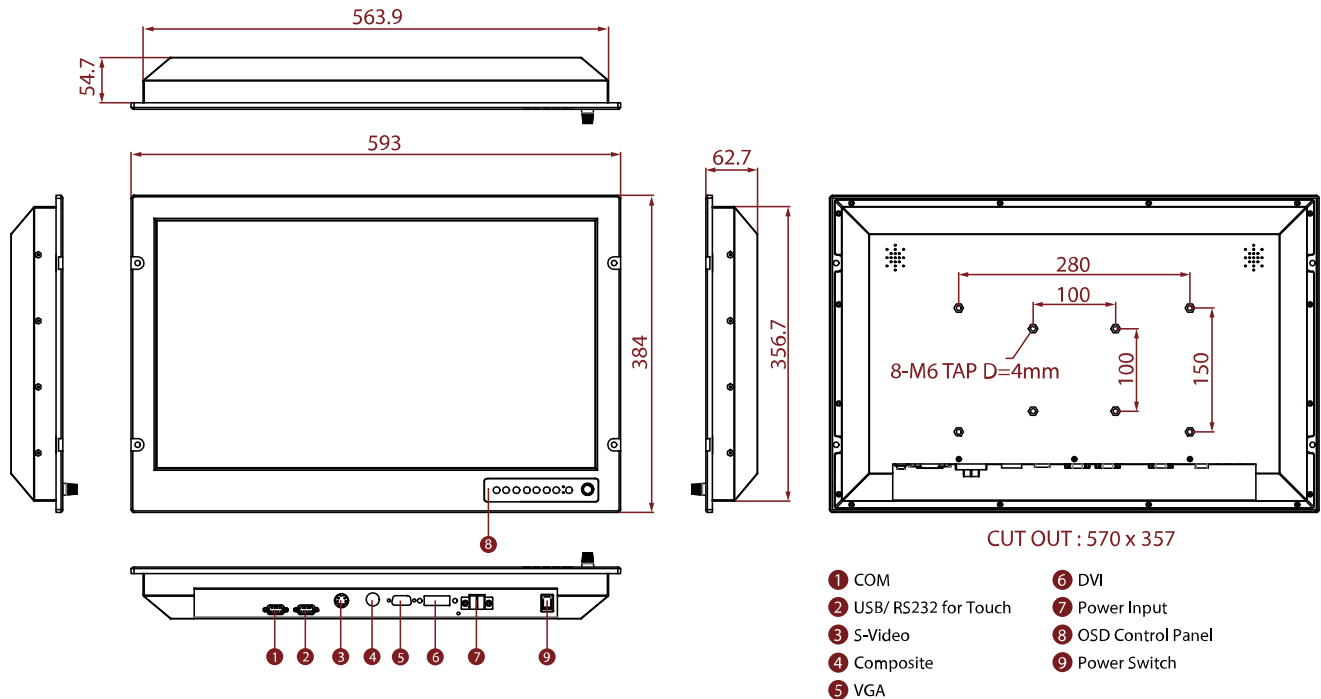


SPECIFICATIONS

Display	
Resolution	1920x1080
Contrast Ratio	5000:1
Display Color	16.7M Colors
Type	Resistive Touch Screen (Optional Protection Glass w/o Touch Function)
Size	24.0 inches
Panel Brightness	1000 nits
View Angles	89,89,89,89
Environment	
Operating Humidity	5% to 95%
Shock	15G, 11ms duration
IP rating	IP66 (Front Side)
Operating Temperature	-15~55°C
Vibration	0.7g@DNVGL CG-0339 (Class A)
Certification	
Certification	DNVGL-CG-0339, IEC60945 4th, IACS E10, CE, FCC
IO Ports	
Serial Port	1 x RS-232 for Touch Screen(Optional) 1 x RS-232 for Remote Control(Optional)
Video	1 x D-SUB 15P Connector(Female) 1 x RCA Phono Plug 1 x S-Video (SVHS) Plug 1 x DVI-D Input 24 Pin Connector
Mechanical	
Dimension	593 x 356.7 x 62.7
Mounting	Vesa Mount/ Panel Mount
Cooling System	Fanless Design
Weight	9.7 kg
Enclosure	Metal Housing with Aluminum Bezel
Power	
Power Rating	9 to 36 V DC power supply with Terminal block (Default)
Accessory	
Accessory	1 x User Manual. 1 x CD for Touchscreen Driver Tools. 1 x DVI Cable. (DVI-D 24 Pin Male to 24 Pin Male: 1.5m.) 1 x Std VGA Cable. (D-SUB 15 Pin Male to 15 Pin Male: 1.8m) 2 x RS232 Std Serial Cable.
Optional Accessory	1 x Transflective LCD User Guide. 1 x Standard Power Cord. Euro / U.S. Std Type, 1.8m

(D-SUB 9 Pin Male to 9 Pin Female: 2m)
 1 x S-Video Cable.
 (MD 4 Pin Male to 4 Pin Male: 1.8m)
 1 x Composite Cable.
 (Std RCA 3.2mm Connector: 1.8m)
 4 x M6 x 30 Black Screw Bolt with M6 Nut.
 M4 x 15 Black Screw Bolt.

DIMENSIONS UNIT:MM



CUT OUT : 570 x 357