

IoT SuperServer SYS-110C-FHN4T



More details here

Key Applications

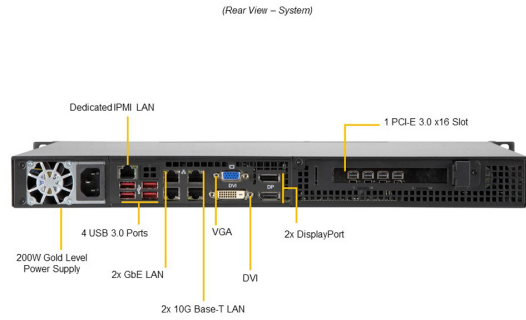
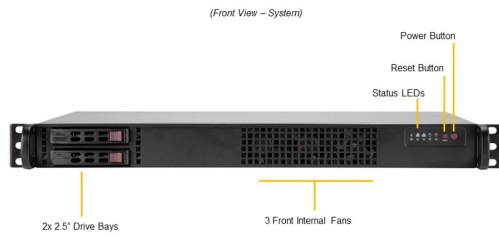
Compact 1U Network Security, Video Surveillance, Office Server, DVR/NVR, Digital Signage, POS,

Key Features

- Single Socket LGA-1200 (Socket H5) support 10th Gen. Core™ I & Xeon W-1200 processors;
- 4x DIMMs; Up to 128GB Unbuffered ECC/non-ECC UDIMM;
- 1x PCIe Gen3 x16 HHHL slot;
- 2 Hot-swap 2.5" SATA3 drive bays;
- 4x 40x28mm 4-pin PWM fans;
- 200W Low Noise AC-DC power supply with PFC;
- Rear-access I/O: 2x 10GBased-T, 2x GbE, 1x Dedicated IPMI, 4x USB3.0, 1x VGA, 1x DVI-D, 2x DP;



| | |
|------------------|---|
| Form Factor | 1U Rackmount Enclosure: 437 x 43 x 287mm (17.2" x 1.7" x 11.3") Package: 645.16 x 154.94 x 502.92mm (25.4" x 6.1" x 19.8") |
| Processor | 10th Gen Intel® Core™ i9/i7/i5/i3, Intel® Xeon® W-1200 Processors Single Socket LGA-1200 (Socket H5) supported TDP up to 80W; |
| System Memory | 4 DIMM slots Up to 128GB ECC UDIMM, DDR4-2933MHz |
| Drive Bays | 2x 2.5" SATA drive bays 1 M.2 NVMe OR 1 M.2 SATA3 M-Key / E-Key, 2280/22110 / 2230 |
| Expansion Slots | 1 PCIe 3.0 x16 HHHL slot(s) |
| On-Board Devices | SATA: SATA3 (6Gbps); RAID 0/1 support Chipset: Intel® W480E Network Connectivity: 2x 1GbE BaseT 2x 10GbE BaseT IPMI: Support for Intelligent Platform Management Interface v.2.0 IPMI 2.0 with virtual media over LAN and KVM-over-LAN support |
| Input / Output | SATA: 2 SATA (6Gbps) port(s) LAN: 2 RJ45 GbE LAN ports 2 RJ45 10GBase-T LAN ports 1 RJ45 Dedicated IPMI LAN port USB: 4 USB 3.0 port(s) (4 rear) Video: 1 VGA port(s) DOM: 1 SuperDOM (Disk on Module) port Others: 1x DVI-D 1x DP |



| | |
|-----------------------|--|
| System Cooling | 4 heavy duty fan(s) |
| Power Supply | 1U 200W Multi-output power supply Gold level w/20pin Dimension (W x H x L): 76.5 x 40.3 x 192.8 mm |
| Management | IPMI 2.0; SuperDoctor® 5; SUM; AMT; vPro |
| PC Health Monitoring | CPU: Monitors for CPU Cores, Chipset Voltages, Memory FAN: Fans with tachometer monitoring Status monitor for speed control Pulse Width Modulated (PWM) fan connectors Temperature: Monitoring for CPU and chassis environment CPU thermal trip support, PEPI |
| Dimensions and Weight | Height: 1.7" (43 mm) Width: 17.2" (437 mm) Depth: 11.3" (287 mm) Gross Weight: 14.1 lbs (6.4 kg) Net Weight: 10 lbs (4.54 kg) Packaging: 6.1" (H) x 25.4" (W) x 19.8" (D) Available Color: Black |
| Operating Environment | Operating Temperature: 0°C ~ 40°C (41°F ~ 104°F) Non-operating Temperature: -40°C to 70°C (-40°F to 158°F) Operating Relative Humidity: 8% to 90% (non-condensing) Non-operating Relative Humidity: 5% to 95% (non-condensing) |
| Motherboard | Super X12SCZ-TLN4F |
| Chassis | CSE-510FT-203B |