

R19L100-SPM169-P1

19" IP69K Stainless P-Series Display



CE

FCC



KEY FEATURES

- 19" Projected capacitive multi-touch screen
- Fanless cooling system
- SUS 316 / AISI 316 stainless steel for food and chemical industries
- Full IP69K waterproof enclosure
- A true flat, easy-to-clean front surface with edge-to-edge design
- Waterproof sealed conduit pipe for cable protection
- Supports VESA mount and Yoke mount stand
- Optical bonding (optional)

INTRODUCTION

Winmate IP69K Stainless P Series Display with Conduit Pipe is designed for the most demanding environments, such as food and chemical industries. Available in sizes from 15" to 24", it features a full IP69K waterproof enclosure with SUS 316/AISI 316 stainless steel for superior corrosion resistance. Its true flat, edge-to-edge design ensures easy cleaning, while the waterproof sealed conduit pipe provides enhanced cable protection. With PCAP touch options, fanless cooling, and versatile VESA or Yoke mount support, this display is ideal for hygiene-critical and harsh industrial applications.

SPECIFICATIONS

Display

| | | | |
|----------------|------------------|------------------|---|
| Resolution | 1280x1024 | Size | 19 inches |
| Contrast Ratio | 1000:1 | Panel Brightness | 250 nits |
| Display Color | 16.7M Colors | View Angles | 85,85,80,80 |
| Active Area | 376.32x301.06 mm | Touch / Glass | Projected Capacitive Multi Touch Screen |

Mechanical

| | | | |
|-----------|-------------------|----------------|--------------------------|
| Dimension | 468 x 395 x 57 mm | Mounting | VESA Mount Yoke Mount |
| Enclosure | Stainless Housing | Cooling System | Fanless design |

Environment

| | | | |
|---------------------|-------------------------------|-----------------------|-------------|
| Operating Humidity | 10% to 90% RH, Non-Condensing | Operating Temperature | 0°C to 45°C |
| Storage Temperature | -20°C to 60°C | IP rating | IP69K |

Certification

| | |
|---------------|---------|
| Certification | CE, FCC |
|---------------|---------|

IO Ports

| | | | |
|----------|--|-------|------------------------------|
| USB Port | 1x USB type-A for touch screen control | Video | 1x VGA 1x HDMI (Optional) |
|----------|--|-------|------------------------------|

| | |
|-----------|-----------------------------|
| Indicator | 1 x LED Indicator for power |
|-----------|-----------------------------|

Control

| | |
|---------------|---|
| Button | 1 x Power Button 1 x Adjust up button 1 x Adjust down button 1 x ESC (Auto) button 1 x OK (Menu) button |
|---------------|---|

Accessory

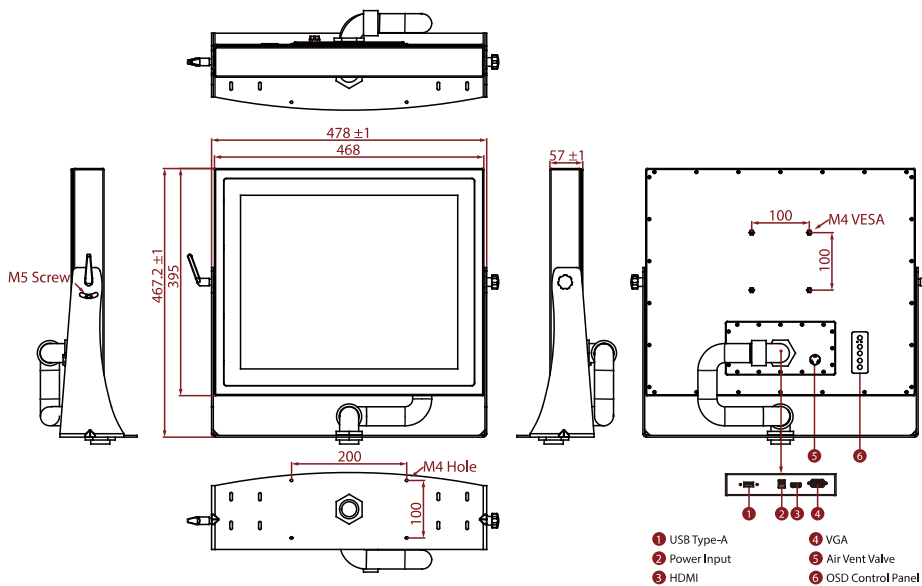
| | |
|------------------|---|
| Accessory | 1 x Waterproof Conduit 1.5m 1 x Waterproof Conduit 0.3m 2 x Elbow for connect the conduit 1 x AC to DC power adapter with power cord 1 x External USB cable for touchscreen control 1 x External HDMI cable 1 x D-sub15(male) to RJ45 adapter 1 x D-sub15(female) to RJ45 adapter 1 x External RJ45 male to male cable Manual VESA screws |
|------------------|---|

Optional Accessory

| |
|---|
| 1 x Open wire cable for phoenix connector (Optional) Yoke mount stand kit (Optional) |
|---|

Power

| | |
|---------------------|--------|
| Power Rating | 12V DC |
|---------------------|--------|

DIMENSIONS UNIT:MM**NOTE**

1. This is a simplified drawing and some components are not marked in detail.
2. Please contact our sales representative if you need further product information.
3. All specifications are subject to change without prior notice.
4. The product shown in this datasheet is a standard model. For diagrams that contain customized or optional I/O, please contact the Winmate Sales Team for more information.