

W22L100-STA3

21.5" Stainless Panel Mount Display



KEY FEATURES

- 21.5", 1920 x 1080, Stainless Panel Mount Display
- VGA and HDMI input
- Panel mount
- VESA mount

INTRODUCTION

Winmate Stainless Panel Mount Display Series combines durability with sleek functionality, making it ideal for industrial and commercial applications. Available in sizes from 15" to 21.5", these displays feature a robust stainless-steel design, VGA and HDMI inputs, and flexible panel or VESA mounting options. The true-flat design ensures easy cleaning, while the high-resolution screens deliver clear visuals for critical operations. Perfect for environments demanding reliability, hygiene, and precision, these displays seamlessly integrate into diverse industrial workflows.

SPECIFICATIONS

Display

Resolution	1920x1080	Size	21.5 inches
Contrast Ratio	3000:1	Panel Brightness	250 nits
Display Color	16.7M Colors	View Angles	89,89,89,89
Active Area	476.64x268.11 mm	Touch / Glass	Resistive Touch Screen (Optional) Protection Glass Without Touch Function (Optional)

Mechanical

Dimension	544 x 340 x 68 mm	Mounting	Panel mount VESA Mount
Enclosure	Stainless front bezel	Cooling System	Fanless design

Environment

Operating Humidity	10% to 90% RH, Non-Condensing	Operating Temperature	0°C to 50°C
Storage Temperature	-10°C to 60°C	IP rating	Front IP65

Certification

Certification	CE, FCC
---------------	---------

IO Ports

Power Input	1 x 12V DC, 2.5φ DC jack	USB Port	1x USB type-A for touch screen control (Optional)
Serial Port	1 x RS232 D-sub9 for touch screen control (Optional)	Video	1x VGA input 1x HDMI input (Optional) 1x DVI input (Optional)
Indicator	1 x LED Indicator for power 1 x LED Indicator for status		

Control

Button	1 x Power Button 1 x Adjust up button 1 x Adjust down button 1 x ESC (Auto) button 1 x OK (Menu) button
--------	---

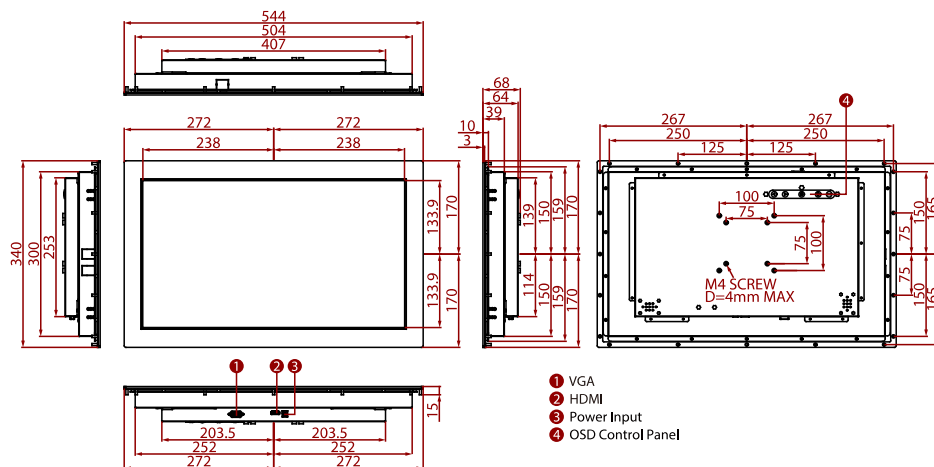
Accessory

Accessory	100~240V AC to DC Adapter Power Cord External USB Cable For Touchscreen Control External VGA Cable External HDMI Cable External HDMI Cable VESA Screws	Optional Accessory	External DVI Cable (Optional)
-----------	--	--------------------	-------------------------------

Power

Power Rating	12V DC
--------------	--------

DIMENSIONS UNIT:MM



NOTE

1. This is a simplified drawing and some components are not marked in detail.
2. Please contact our sales representative if you need further product information.
3. All specifications are subject to change without prior notice.
4. The product shown in this datasheet is a standard model. For diagrams that contain customized or optional I/O, please contact the Winmate Sales Team for more information.