

Twin SuperServer SYS-220TP-HC8TR



More details here

Key Applications

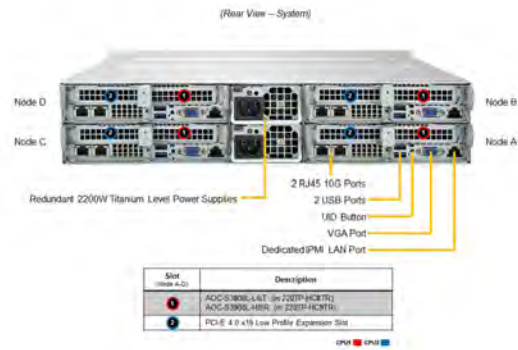
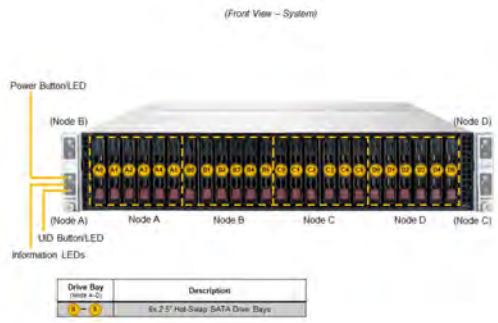
High Performance Computing, Hyper-Converged Infrastructure, Big Data / Big Science,

Key Features

- Dual Socket P+ (LGA-4189) 3rd Generation Intel® Xeon® Scalable Processors;
- Intel® C621A chipset;
- 16 DIMMs, Up to 4TB 3DS ECC DDR4-3200 LRDIMM/RDIMM;
- 1 PCIe 4.0 x16 (LP), 1 PCIe 4.0 x8 (with M.2 adapter installed for support 2 NVME up to 22x80 mm);
- Intel® X710 Dual port 10GBase-T LAN onboard;
- 6x 2.5" hot-swap SATA/SAS drive bays;
- 4 heavy duty 8cm PWM fans with optimal fan speed control (Per System);
- Two 2200W redundant power supplies with PMBus;
- ASPEED AST2600 BMC, 2 USB, VGA. RoT; Broadcom® 3808 SAS (12Gbps); 6 slots per node; HBA only, no RAID support.;



Form Factor	2U Rackmount Enclosure: 438 x 88 x 730mm (17.25" x 3.47" x 28.75") Package: 622 x 254 x 1143mm (24.5" x 10" x 45")
Processor	3rd Gen Intel® Xeon® Scalable processors Dual Socket LGA 4189 (Socket P+) supported TDP up to 185W; 2 UPI (Please contact Supermicro Technical Support for supporting conditions of high power (TDP 150W and above) or high base frequency (3.0 GHz and above) processors.)
System Memory	16 DIMM slots Up to 4TB ECC RDIMM, DDR4-3200MHz
Drive Bays	6x 2.5" hot-swap SATA/SAS drive bays
Expansion Slots	1 PCIe 4.0 x16 LP slot(s)
On-Board Devices	Chipset: Intel® C621A Network Connectivity: 2x 10GbE BaseT with Intel® X710-AT2 IPMI: Support for Intelligent Platform Management Interface v.2.0 IPMI 2.0 with virtual media over LAN and KVM-over-LAN support
Input / Output	LAN: 1 RJ45 Dedicated IPMI LAN port USB: 2 USB 3.0 port(s) (2 rear) Video: 1 VGA port(s) Others: M.2 2 NVME M.2 (up to 22x80 mm) support via installed SCC-P2N2M2-P2 and M.2 for OS boot only. For 22x110mm M.2 support, need add AOC-SLG3-2M2 or AOC-SLG3-2H8M2 per node.



System Cooling	4x 8cm heavy duty fan(s)
Power Supply	1U 2200W Titanium Redundant Power Supply W/PMbus Dimension (W x H x L): 76 x 40 x 336 mm Output Type: Gold Finger Connector
System BIOS	BIOS Type: AMI 32MB SPI Flash EEPROM
Management	SuperDoctor® 5; Watch Dog; NMI; SUM; KVM with dedicated LAN; SPM; Intel® Node Manager; SSM; IPMI 2.0; Redfish API; Supermicro Out of Band (OOB) Software License Key (Included per Node)
PC Health Monitoring	CPU: Monitors for CPU Cores, Chipset Voltages, Memory 5 Phase-switching voltage regulator FAN: Fans with tachometer monitoring Status monitor for speed control Pulse Width Modulated (PWM) fan connectors Temperature: Monitoring for CPU and chassis environment Thermal Control for fan connectors
Dimensions and Weight	Height: 3.47" (88 mm) Width: 17.25" (438 mm) Depth: 28.75" (730 mm) Gross Weight: 90 lbs (40.9 kg) Net Weight: 72 lbs (32.7 kg) Packaging: 10" (H) x 24.5" (W) x 45" (D) Available Color: Black front & silver body
Operating Environment	Operating Temperature: 10°C ~ 35°C (50°F ~ 95°F) Non-operating Temperature: -40°C to 60°C (-40°F to 140°F) Operating Relative Humidity: 8% to 90% (non-condensing) Non-operating Relative Humidity: 5% to 95% (non-condensing)
Motherboard	Super X12DPT-PT6
Chassis	CSV-217HQ+-R2K20BP4