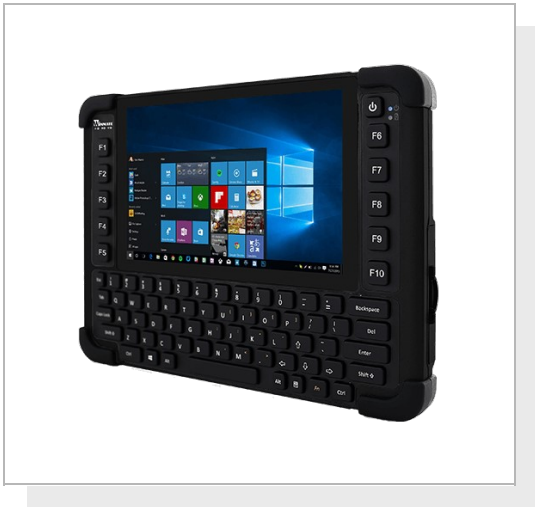


M101EKB

8inch Windows Rugged Tablet PC with Intel® Celeron® N6211



KEY FEATURES

- Intel® Elkhart Lake Celeron® N6211 Processor
- 8" 1280x800 wide viewing angle with PCAP touch
- ISO/IEC 99953 QWERTY Keypad
- USB Type-C port supports power delivery 20V In
- IP65 water and dust proof with MIL-STD-810H rugged housing
- Low power consumption with fanless design
- Removable battery with hotswap function for all day productivity
- Integrated 4G/5G Wireless WWAN (Optional)

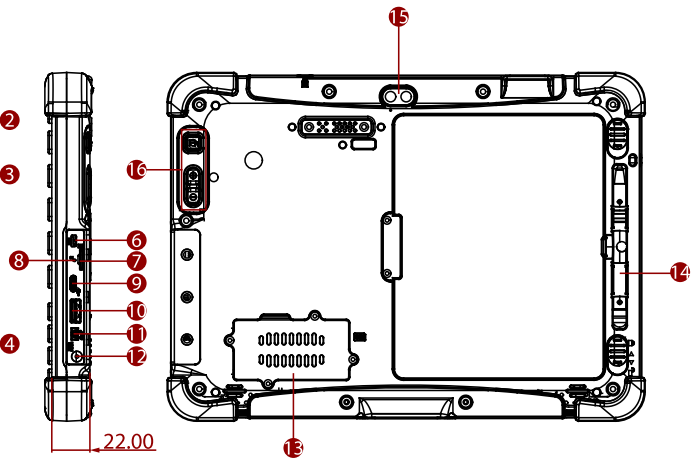
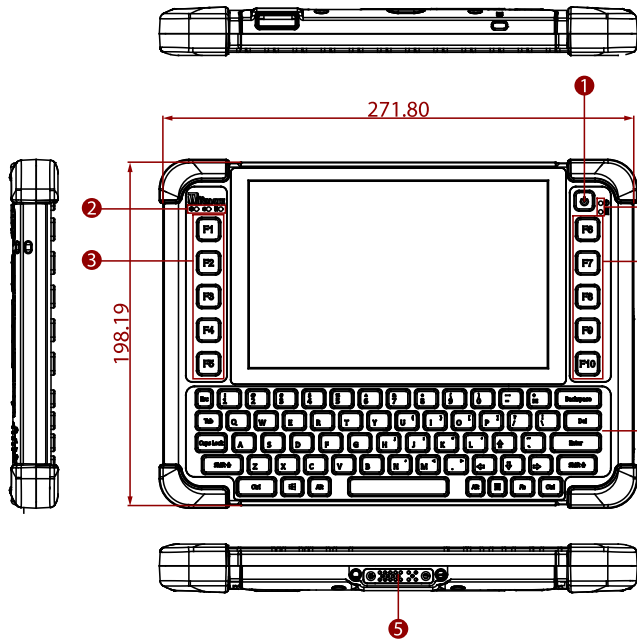


SPECIFICATIONS

Display	
Resolution	1280x800
Contrast Ratio	1500:1
View Angles	80,80,80,80
Viewability	Anti-Glare touch treatment
Size	8.0 inches
Panel Brightness	800.0 nits
Type	Projected Capacitive Multi Touch
Touch Mode	Support Hand / Gloves and Rain Mode
System Specification	
Processor	Intel Celeron N6211 @1.20 GHz (up to 3.00 GHz) Intel Pentium N6415 @1.20 GHz (up to 3.00 GHz) (Optional)
Storage	128GB SSD Additional storage available with micro SDXC card slot 256GB SSD (Optional) 512GB SSD (Optional)
Memory	4GB LPDDR4 8GB LPDDR4 (Optional)
Operating System	Windows 10 IoT Enterprise LTSC (64 bit) Windows 11 IoT Enterprise SAC (64-bit) (Optional)
Security	Trusted Platform Module (TPM) 2.0 Kensington Lock
BT	Support
WLAN	Support
GNSS	GPS, GLONASS, Galileo, BeiDou
WWAN	4G (Optional) 5G (Optional)
Sensors	Light sensor/ G-sensor / Gyro
RFID	HF RFID 13.56 MHz reader (Optional) add-on UHF RFID Reader (Optional)
Smart Card Reader	Add-on Smart Card Reader (Optional)
Environment	
Operating Humidity	10% to 90% RH, non-condensing
Operating Temperature	-20°C to 60°C (AC mode), -10°C to 50°C (Battery mode)
Storage Temperature	-30°C to 70°C (-22°F to 158°F)
Shock	MIL-STD-810H Method 516.8 Procedure I
Vibration	MIL-STD-810H Method 514.8 Procedure I
IP rating	IP65
Drop	MIL-STD-810H Method 516.8, 4 ft
Certification	
Certification	CE, FCC
Mechanical	
Dimension	271.8 x 198.2 x 22 mm
Weight	1.35 kg (3 lbs)
Cooling System	Fanless Design

Accessory			
Accessory	Adapter and Power Cord Capacitive Stylus Standard Battery	Optional Accessory	Desk Dock (Optional) Vehicle Dock (without VGA output) (Optional) Vehicle Cradle (Optional) Battery Charger (Optional) Smart Card Reader (Optional) High Capacity Battery (Optional) Hand Strap (Optional) VESA Mount Kit (Optional) Shoulder Strap (Optional) Carry Bag (Optional) Vehicle Charger (Optional)
IO Ports			
USB Port	1 x USB 3.0 (Type A), 1 x USB 3.0 (Type-C support Power Delivery 20V In)	SD Card Slot	1 x Micro SD Card slot (Support SDXC)
SIM Card Slot	1 x SIM card slot	Video	1 x Micro HDMI Output (Optional)
Audio	1 x Audio combo 3.5mm audio combo jack (Mic in or Line Out) Dual Digital Mic With Noise Cancellation Dual Speaker	Expansion Port	1 x Expansion connector (Optional)
Indicator	4x LED Indicator for Power, Battery, HDD, RF status	Docking Connector	1 x 19-pin docking connector
Power			
Battery	Hot-swappable 7.7V, typ. 5900 mAh Li-Polymer Battery (2S1P) 7.4V, typ. 10280 mAh Li-Polymer Battery (2S2P, optional)	Battery Operating Time	Standard. Battery: 8 hours High Capacity Battery: 13 hours
Power Rating	19V DC	Adapter	100-240V, 50-60Hz / 19V DC
Camera			
Rear Camera	8MP Rear Camera with auto-focus and LED light		
Barcode Scanner			
Barcode Scanner	1D/2D Barcode Reader (Optional)		
Control			
Button	Physical Buttons: ISO/IEC 9995-3 QWERTY Keypad , IP65 water and dust proof, with LED backlight (keypad dimensions : min. 10x10mm) 1 x Power, 10 x Function Keys (programmable by Hottab)		
Security Function			
SOTI MobiControl	SOTI MobiControl Compliance	Kensington Lock	Kensington Lock

DIMENSIONS UNIT:MM



- | | | |
|---------------------|----------------------|------------------------------|
| 1 Power Switch | 7 Micro SD Card Slot | 13 LTE Module/ SIM Card Slot |
| 2 LED indicators | 8 Reset Button | 14 Rear Camera |
| 3 Function Buttons | 9 USB Type-C | 15 Touch Pen Slot |
| 4 QWERTY Keypad | 10 USB Type-A | 16 Function Buttons |
| 5 Docking Connector | 11 Audio | |
| 6 Micro HDMI | 12 Power Input | |