

LEO-WS10

Handheld Dimensioning & Barcode Scanner

NEW



Features

- Laser aimer for accurate aiming at barcodes
- 3D handheld sizing scanner with embedded 2D scanner
- No pre-calibration needed
- Easy operation and portability
- Compatible with any computer (verified performance with Advantech's DLT series)
- Supports Windows, Android, and Linux OS

Introduction

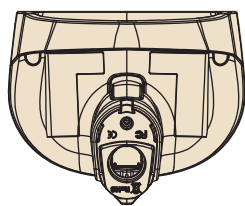
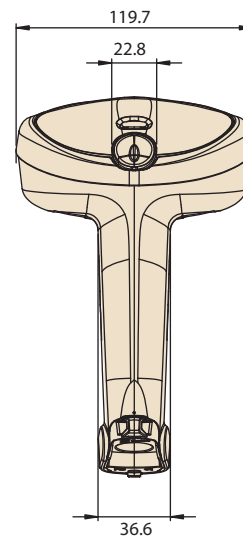
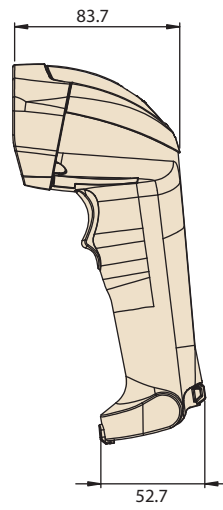
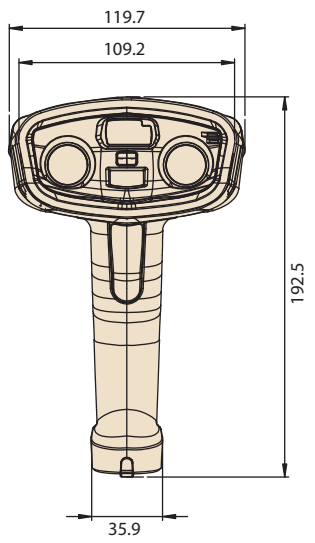
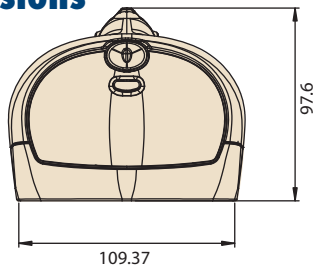
LEO-WS10 is the handheld dimensioning and barcode scanner. It can be used for diverse industrial and retail applications, such as logistics, chain store, post office, and airport kiosk operations, to speed up dimensioning, improve package collection, and accelerate loading. Moreover, to ensure convenient deployment, LEO-WS10 supports Windows, Android, and Linux OS without necessitating hardware changes.

Specifications

Performance	Optical Working Range	40 to 150 cm (15.74 ~ 59.05 inch)
	Field of View	52° Horizontal, 30° Vertical
	Shape	Cubic and rectangular package/carton
	Accuracy	d=2, less than ±2cm deviation
	Measurement Time	<1 sec
	Min./Max. Object Length	Min. cube: 10 cm / 0.394 inches cube (OIML 20cm cube) Max. cube: 80 cm / 31.5 inches cube (OIML 60cm cube)
	Color	All opaque packaging except black, very glossy and transparent
	Measurement Angle	Pitch: 35° ~ 65°, Skew: ± 15°
Barcode Reader	Measurement Surface	Avoid to put the box in the background whose color is too close to the box's color, avoid transparent background
	Feedback	Audible beep and LED indicators (green, red, and orange)
	1D Decode Capabilities	UPC-A, UPC-E, EAN-8/JAN-8, EAN-13/JAN-13, Code 39, Code 128, Interleaved 25, Industrial 25, Matrix 25, Codabar/NW7, Code 93, China Post, MSI/Plessey, Telepen, GS1 Databar Omni-directional, GS1 Databar Limited, GS1 Databar Expanded
Barcode Reader	2D Decode Capabilities	Data Matrix, PDF 417, QR code
	Reading Range	2 mil Code 39: 60 ~ 100 mm 4 mil Code 39: 55 ~ 110 mm 10 mil Code 39: 50 ~ 220 mm 20 mil Code 39: 50 ~ 300 mm 20 mil QR code: 50 ~ 200 mm 20 mil PDF417: 50 ~ 120 mm
Dimensions (W x H x L)		12.0 x 9.8 x 19.3 cm (4.72 x 3.86 x 7.60 inch)
Weight		280g (9.88oz)
Electrical Interface	Input Voltage	5V _{dc}
	Host Interface	1 x USB or 1 x RS-232 wired cable
Aimer	Wavelength	650±10 nm red VLD IEC
	Classification	60825-1:2014 Class 1
Environment	IP Rating	IP54
	Operating Temperature	-10 ~ 40 °C (32 to 104 °F)
	Storage Temperature	-20 ~ 60 °C (-4 ~ 140 °F)
	Relative Humidity	0 ~ 70% relative humidity, non-condensing
Certifications	Ambient Light	0 ~ 3000 lux (avoid direct sunlight)
		CE, FCC, LVD, OIML certification

Dimensions

Unit: mm



Ordering Information

Part Number	Description
LEO-WS10-CBA0	Handheld dimensioning & barcode scanner