

# CPGS-B9142ET-C



CPGS-B9142ET-C

## ➤ 3U CompactPCI EN50155 16-port managed Gigabit Ethernet switch with 8x10/100/1000Base-T(X) in CompactPCI sockets, and 6x10/100/1000Base-T(X) with 2 Extension Ports

### Features

- Leading EN50155 compliant Ethernet switch for rolling stock application
- Supports 3U and 16HP CompactPCI form factor and hot swapping
- PICMG 2.0 specification compatible
- Support 6x10/100/1000Base-T(X) ports
- Support Jumbo frame up to 9.6K Bytes
- Supports MSTP/RSTP/STP (IEEE 802.1s/w/D) for Ethernet Redundancy
- Support standard IEC 62439-2 **MRP\*NOTE** (Media Redundancy Protocol) function
- Supports IPV6 new internet protocol version
- Support Modbus TCP protocol
- Support IEEE 802.3az **Energy-Efficient Ethernet** technology
- Provided HTTPS/SSH protocol to enhance network security
- Supports SMTP client
- Supports IP-based bandwidth management
- Supports application-based QoS management
- Supports Device Binding security function
- Supports DOS/DDOS auto prevention
- Supports SSH/Https security function
- IGMP v2/v3 (IGMP snooping support) for filtering multicast traffic
- Supports SNMP v1/v2c/v3, RMON and 802.1Q VLAN Network Management
- Multiple notification for warning of unexpected event
- Windows utility support centralized management and configurable by Web-based interface, Telnet and Console (CLI)
- Support LLDP Protocol
- Support hot-swappable technology



Full Gigabit



EN50155



O-Ring



-40~70°C  
Temperature



### Introduction

CPGS-B9142ET-C is CompactPCI managed redundant ring Ethernet switch with 8x10/100/1000Base-T(X) ports in CompactPCI socket and 6x10/100/1000Base-T(X) in RJ45 which is specifically designed for the toughest and fully compliant with EN50155 requirement. In addition, CPGS-B9142ET-C also includes 2 two-wire Ethernet extension ports for longer transmission distance with less cable cost. The switch support Ethernet Redundancy protocol, MSTP (RSTP/STP compatible) can protect your mission-critical applications from network interruptions or temporary malfunctions with its fast recovery technology. CPGS-B9142ET-C supports wide operating temperature from -40°C to 70°C which can fulfill most of the requirement of operation environment. Except the Web-based interface, Telnet and console (CLI) configuration, CPGS-B9142ET-C can also be managed centralized and conveniently by Management Software. Therefore, the switch is one of the most reliable choices for rolling stock and highly-managed Ethernet application.

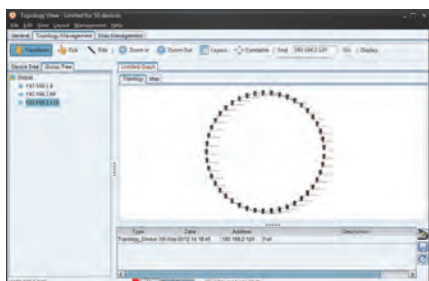
- **MRP\*NOTE** : Media Redundancy Protocol (MRP) is a data network protocol standardized by the IEC 62439-2. It allows rings of Ethernet switches to overcome any single failure with recovery time much faster than achievable with Spanning Tree Protocol.
- **IP-based Bandwidth Management** : The switch provide advanced IP-based bandwidth management which can limit the maximum bandwidth

\*NOTE: This function is available by request only

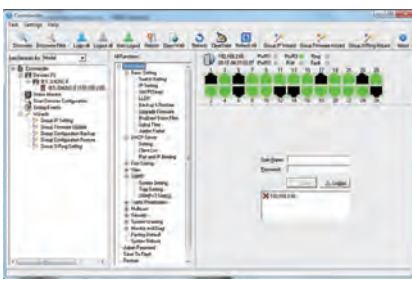
for each IP device. User can configure IP camera and NVR with more bandwidth and limit other device bandwidth.

- **Application-Based QoS** : The switch also support application-based QoS. Application-based QoS can set highest priority for data stream according to TCP/UDP port number.
- **Device Binding Function** : ORing special Device Binding function can only permit allowed IP address with MAC address to access the network. Hacker cannot access the IP surveillance network without permission. It can avoid hacker from stealing video privacy data and attacking IP camera, NVR and controllers.
- **Advanced DOS/DDOS Auto Prevention** : The switch also provided advanced DOS/DDOS auto prevention. If there is any IP flow become big in short time, the switch will lock the source IP address for certain time to prevent the attack. It's hardware based prevention so it can prevent DOS/DDOS attack immediately and completely.
- **Modbus TCP** : This is a Modbus variant used for communications over TCP/IP networks.
- **IEEE 802.3az Energy-Efficient Ethernet** : This is a set of enhancements to the twisted-pair and backplane Ethernet family of networking standards that will allow for less power consumption during periods of low data activity. The intention was to reduce power consumption by 50% or more.

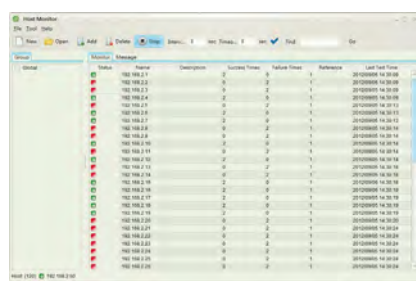
## Management Software



Topology View



Commander



Host Monitor

## Console Port Pin DeFinition

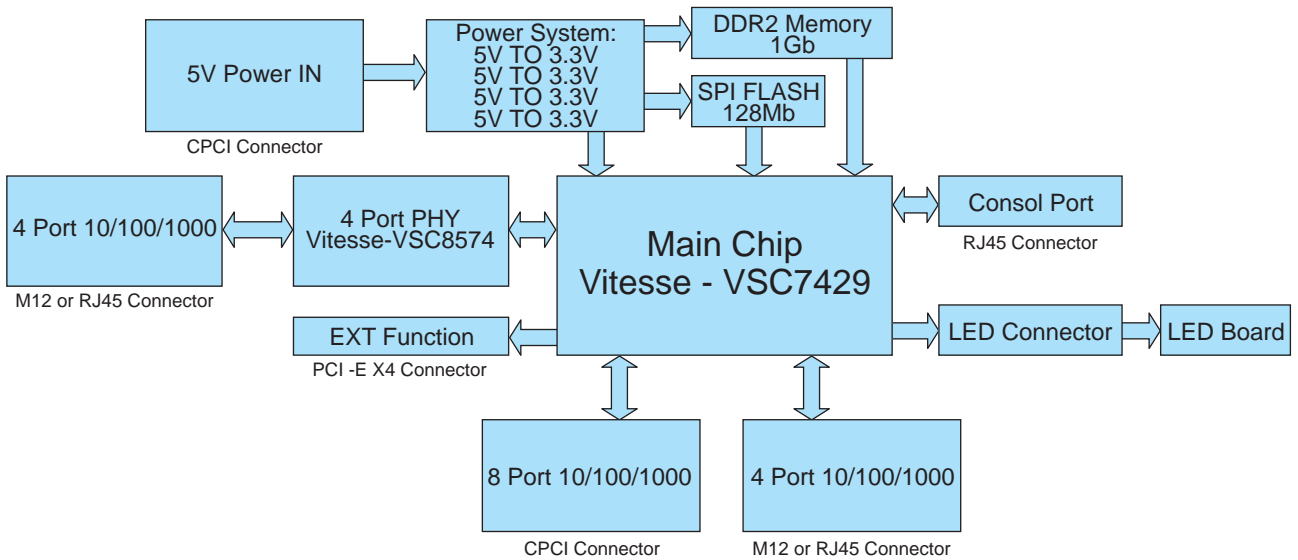
PC (male) pin assignment	RS-232 with DB9 (female) pin assignment (RJ45 to DB9 cable)	RJ 45 pin assignment
Pin #2 RxD	Pin #2 TxD	Pin #2 TxD
Pin #3 TxD	Pin #3 RxD	Pin #3 RxD
Pin #5 GND	Pin #5 GND	Pin #5 GND

## Backplane Pin Definition

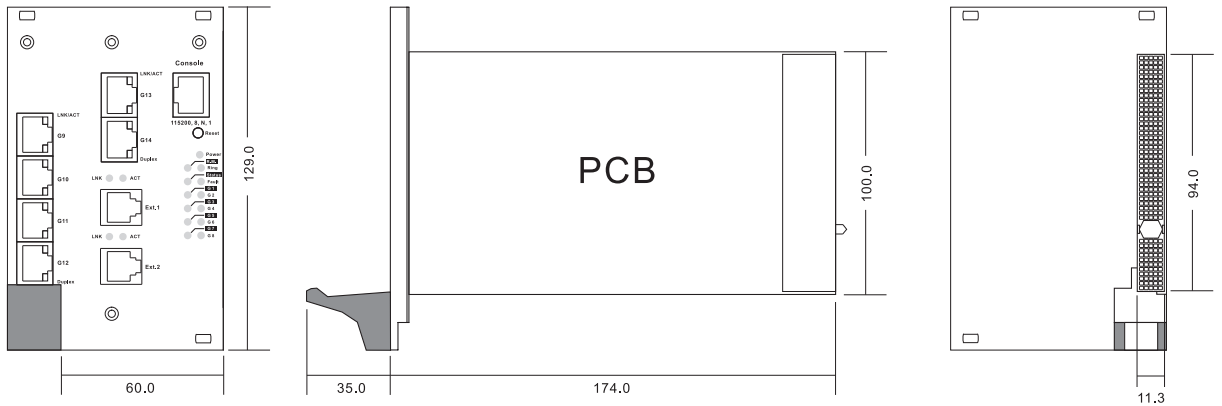
Pin	Z	A	B	C	D	E	F	
25	GND	5V				5V	GND	J1
24	GND		5V				GND	
23	GND				5V		GND	
22	GND		GND				GND	
21	GND						GND	
20	GND		GND				GND	
19	GND				GND		GND	

18	GND		GND				GND	J1	
17	GND				GND		GND		
16	GND		GND				GND		
15	GND						GND		
14	KEY AREA								
13									
12									
11	GND				GND		GND		
10	GND		GND				GND		
9	GND				GND		GND		
8	GND		GND				GND		
7	GND				GND		GND		
6	GND		GND				GND		
5	GND				GND		GND		
4	GND		HEALTHY#				GND		
3	GND				5V		GND		
2	GND		5V				GND		
1	GND	5V				5V	GND		
<b>Pin</b>	<b>Z</b>	<b>A</b>	<b>B</b>	<b>C</b>	<b>D</b>	<b>E</b>	<b>F</b>		
22	GND						GND	J2	
21	GND			GND			GND		
20	GND	LED5_0	LED5_1	GND	LED7_0	LED7_1	GND		
19	GND	LED4_0	LED4_1	GND	LED6_0	LED6_1	GND		
18	GND	LED1_0	LED1_1	GND	LED3_0	LED4_1	GND		
17	GND	LED0_0	LED0_1	GND	LED2_0	LED2_1	GND		
16	GND	P7_A_P	P7_A_N	GND	P7_C_P	P7_C_N	GND		
15	GND	P7_B_P	P7_B_N	GND	P7_D_P	P7_D_N	GND		
14	GND	P6_A_P	P6_A_N	GND	P6_C_P	P6_C_N	GND		
13	GND	P6_B_P	P6_B_N	GND	P6_D_P	P6_D_N	GND		
12	GND	P5_A_P	P5_A_N	GND	P5_C_P	P5_C_N	GND		
11	GND	P5_B_P	P5_B_N	GND	P5_D_P	P5_D_N	GND		
10	GND	P4_A_P	P4_A_N	GND	P4_C_P	P4_C_N	GND		
9	GND	P4_B_P	P4_B_N	GND	P4_D_P	P4_D_N	GND		
8	GND	P3_A_P	P3_A_N	GND	P3_C_P	P3_C_N	GND		
7	GND	P3_B_P	P3_B_N	GND	P3_D_P	P3_D_N	GND		
6	GND	P2_A_P	P2_A_N	GND	P2_C_P	P2_C_N	GND		
5	GND	P2_B_P	P2_B_N	GND	P2_D_P	P2_D_N	GND		
4	GND	P1_A_P	P1_A_N	GND	P1_C_P	P1_C_N	GND		
3	GND	P1_B_P	P1_B_N	GND	P1_D_P	P1_D_N	GND		
2	GND	P0_A_P	P0_A_N	GND	P0_C_P	P0_C_N	GND		
1	GND	P0_B_P	P0_B_N	GND	P0_D_P	P0_D_N	GND		

## Block Diagram



## Dimensions



(Unit=mm)

## Specifications

ORing Switch Model	CPGS-B9142ET-C
<b>Physical Ports</b>	
10/100/1000Base-T(X) Ports Auto MDI/MDIX	<b>14-port (8-port with CompactPCI interface, 6-port with RJ45 connector) (PICMG 2.0 compatible)</b>
2-Wire Extension Ports	<b>2</b>
<b>Technology</b>	
<b>Ethernet Standards</b>	IEEE 802.3 for 10Base-T IEEE 802.3u for 100Base-TX IEEE 802.3ab for 1000Base-T IEEE 802.3x for Flow control IEEE 802.3ad for LACP (Link Aggregation Control Protocol) IEEE 802.1D for STP (Spanning Tree Protocol) IEEE 802.1p for COS (Class of Service) IEEE 802.1Q for VLAN Tagging IEEE 802.1w for RSTP (Rapid Spanning Tree Protocol) IEEE 802.1s for MSTP (Multiple Spanning Tree Protocol) IEEE 802.1x for Authentication IEEE 802.1AB for LLDP (Link Layer Discovery Protocol)

MAC Table	8k
Priority Queues	8
Processing	Store-and-Forward
Switch Properties	Switching latency: 7 us Switching bandwidth: 28.4Gbps Max. Number of Available VLANs: 4095 IGMP multicast groups: 256 for each VLAN Port rate limiting: User Define
Jumbo frame	Up to 9.6K Bytes
Security Features	Device Binding security feature Enable/disable ports, MAC based port security Port based network access control (802.1x) VLAN (802.1Q ) to segregate and secure network traffic Radius centralized password management SNMPv3 encrypted authentication and access security Https / SSH enhance network security
Software Features	STP/RSTP/MSTP (IEEE 802.1D/w/s) TOS/Diffserv supported Quality of Service (802.1p) for real-time traffic VLAN (802.1Q) with VLAN tagging IGMP Snooping IP-based bandwidth management Application-based QoS management DOS/DDOS auto prevention Port configuration, status, statistics, monitoring, security DHCP Server/Client/Relay SMTP Client Modbus TCP
Network Redundancy	O-Ring O-Chain MRP**NOTE MSTP (RSTP/STP compatible)
RS-232 Serial Console Port	RS-232 in RJ45 connector with console cable. 115200bps, 8, N, 1
<b>LED Indicators</b>	
Power indicator (Power)	Power indicator (Power)
Status Indicator (STA)	Status Indicator (STA)
R.M. indicator (R.M)	R.M. indicator (R.M)
Ring indicator (Ring)	Ring indicator (Ring)
Fault indicator (Fault)	Fault indicator (Fault)
10/100/1000Base-T(X) port indicator	10/100/1000Base-T(X) port indicator
Extension port indicator	Top Green for data transmission activity Bottom Green for port Link status
<b>Power</b>	
Power Input	CompactPCI bus powered (5VDC)
Power Consumption (Typ.)	21.5W
Overload Current Protection	Present
<b>Physical Characteristic</b>	
Dimension (W x D x H)	81.7 (W) x 209 (D) x 129.0 (H)mm
Weight (g)	469 g
<b>Environmental</b>	
Storage Temperature	-40 to 85°C (-40 to 185°F)
Operating Temperature	-40 to 70°C (-40 to 158°F)
Operating Humidity	5% to 95% Non-condensing
<b>Regulatory Approvals</b>	
EMI	FCC Part 15, CISPR (EN55022) class A, EN50155 (EN50121-3-2, EN55011, EN50121-4)
EMS	EN61000-4-2 (ESD), EN61000-4-3 (RS), EN61000-4-4 (EFT), EN61000-4-5 (Surge), EN61000-4-6 (CS), EN61000-4-8, EN61000-4-11
Shock	IEC60068-2-27
Free Fall	IEC60068-2-32

\*NOTE: This function is available by request only

Vibration	IEC60068-2-6
Safety	EN60950-1
Warranty	5 years

## Ordering Information

**CPGS-B9** **AA** **B** **ET** -C

Code Definition	10/100/1000Base-T(X) Port Number	Additional Port Number	Additional Port Type
<b>Option</b>	- <b>14</b> : 14 ports	- <b>2</b> : 2 ports	- <b>ET</b> : Extension Port

Available Model	Model Name	Description
	CPGS-B9142ET-C	3U CompactPCI EN50155 16-port managed Gigabit Ethernet switch with 8x10/100/1000Base-T(X) in CompactPCI sockets, and 6x10/100/1000Base-T(X) with 2 Extension Ports

### Packing List

- CPGS-B9142ET-C x 1
- Console Cable x 1
- Tool CD x 1
- Quick Installation Guide x 1